

POWERED MIXER

EMX212s

SERVICE MANUAL



• **OPTION (別売品)**

RK512 RACK MOUNT KIT (ラックマウントキット)

■ CONTENTS (目次)

SPECIFICATIONS (総合仕様).....	3/5
PANEL LAYOUT (パネルレイアウト).....	7
CIRCUIT BOARD LAYOUT (ユニットレイアウト).....	10
WIRING DIAGRAM (基板結線図).....	11
DIMENSIONS (寸法図).....	13
DISASSEMBLY PROCEDURES (分解手順).....	14
LSI PIN DESCRIPTION (LSI 端子機能表).....	24
IC BLOCK DIAGRAM (IC ブロック図).....	26
CIRCUIT BOARDS (シート基板図).....	28
INSPECTION (検査).....	50/56
PS CIRCUIT BOARD REPAIR GUIDE (PS シート故障修理ガイド).....	62/72
PARTS LIST	
BLOCK & LEVEL DIAGRAM (ブロック & レベルダイアグラム)	
CIRCUIT DIAGRAM (回路図)	



このサービスマニュアルはエコパルプ
(ECF: 無塩素系漂白パルプ) を使用しています。
This document is printed on chlorine free (ECF) paper.

PA 011792

EMX212S: 200510-67200
RK512SC: 200510-5250



HAMAMATSU, JAPAN

Copyright (c) Yamaha Corporation. All rights reserved. PDF-K897 05.09

IMPORTANT NOTICE

This manual has been provided for the use of authorized Yamaha Retailers and their service personnel. It has been assumed that basic service procedures inherent to the industry, and more specifically Yamaha Products, are already known and understood by the users, and have therefore not been restated.

WARNING: Failure to follow appropriate service and safety procedures when servicing this product may result in personal injury, destruction of expensive components and failure of the product to perform as specified. For these reasons, we advise all Yamaha product owners that all service required should be performed by an authorized Yamaha Retailer or the appointed service representative.

IMPORTANT: This presentation or sale of this manual to any individual or firm does not constitute authorization certification, recognition of any applicable technical capabilities, or establish a principal-agent relationship of any form.

The data provided is believed to be accurate and applicable to the unit(s) indicated on the cover. The research engineering, and service departments of Yamaha are continually striving to improve Yamaha products. Modifications are, therefore, inevitable and changes in specification are subject to change without notice or obligation to retrofit. Should any discrepancy appear to exist, please contact the distributor's Service Division.

WARNING: Static discharges can destroy expensive components. Discharge any static electricity your body may have accumulated by grounding yourself to the ground bus in the unit (heavy gauge black wires connect to this bus).

IMPORTANT: Turn the unit OFF during disassembly and parts replacement. Recheck all work before you apply power to the unit.

WARNING: CHEMICAL CONTENT NOTICE!

The solder used in the production of this product contains LEAD. In addition, other electrical/electronic and/or plastic (Where applicable) components may also contain traces of chemicals found by the California Health and Welfare Agency (and possibly other entities) to cause cancer and/or birth defects or other reproductive harm.

DO NOT PLACE SOLDER, ELECTRICAL/ELECTRONIC OR PLASTIC COMPONENTS IN YOUR MOUTH FOR ANY REASON WHAT SO EVER!

Avoid prolonged, unprotected contact between solder and your skin! When soldering, do not inhale solder fumes or expose eyes to solder/flux vapor!

If you come in contact with solder or components located inside the enclosure of this product, wash your hands before handling food.

IMPORTANT NOTICE FOR THE UNITED KINGDOM

Connecting the Plug and Cord

IMPORTANT. GREEN-AND-YELLOW: EARTH
BLUE: NEUTRAL
BROWN: LIVE


As the colours of the wires in the mains lead of this apparatus may not correspond with the coloured markings identifying the terminals in your plug proceed as follows:


The wire which is coloured GREEN-and-YELLOW must be connected to the terminal in the plug which is marked by the letter E or by the safety earth symbol or colored GREEN or GREEN-and-YELLOW.

The wire which is coloured BLUE must be connected to the terminal which is marked with the letter N or coloured BLACK.

The wire which is coloured BROWN must be connected to the terminal which is marked with the letter L or coloured RED.

■ WARNING

Components having special characteristics are marked  and must be replaced with parts having specification equal to those originally installed.

 印の商品は、安全を維持するために重要な部品です。交換する場合は、安全のために必ず指定の部品をご使用ください。

■ SPECIFICATIONS

• General Specifications

	Output	RL	Conditions	U, V	A	H, B, W, K, O	UNIT	
Maximum Output Power	SPEAKERS OUT	4 Ω	Both ch drive, 1 kHz, THD+N ≤ 0.5%	MIN	220	220	220	
		8 Ω			130	130	130	
	Input	Output	RL	Conditions	MIN	TYP	MAX	UNIT
Frequency Response	CH INPUT 1-11/12	MAIN OUT, MONITOR OUT, EFFECT OUT, REC OUT	10 kΩ	CH1-4 MIC/LINE: MIC 20 Hz-20 kHz, 0 dB @ 1 kHz	-3.0	0.0	1.0	dB
		SPEAKERS OUT	4 Ω		-3.0	0.0	1.0	
Maximum Voltage Gain@ 1 kHz	CH 1-4 INPUT B, CH 5/6-11/12 MIC	MAIN OUT, MONITOR OUT	10 kΩ	Rs=150 Ω CH1-4 MIC/LINE:MIC		65		dB
Gain Error @ 1 kHz It measures in each CH unit.	CH 1-4 INPUT B, CH 5/6-11/12 MIC	MAIN OUT	10 kΩ	Input level: -60 dBu CH1-4 MIC/LINE:MIC	2.0	4.0	6.0	dBu
		MONITOR OUT		Input level: -60 dBu CH1-4 MIC/LINE:MIC	2.0	4.0	6.0	
		EFFECT OUT		Input level: -60 dBu CH1-4 MIC/LINE:MIC	-8.0	-6.0	-4.0	
		REC OUT		Input level: -60 dBu CH1-4 MIC/LINE:MIC	-12.0	-10.0	-8.0	
	CH 1-4 INPUT A	MAIN OUT		Input level: -50 dBu MIC/LINE:MIC	2.0	4.0	6.0	dBu
	CH 5/6-7/8 LINE (Phone)	MAIN OUT		Input level: -20 dBu	2.0	4.0	6.0	
	CH 9/10-11/12 LINE (Pin)	MAIN OUT		Input level: -20 dBu	2.0	4.0	6.0	
Total Harmonic Distortion It measures in each CH unit. (THD+N)	CH INPUT 1-11/12	MAIN OUT, MONITOR OUT, EFFECT OUT, REC OUT	10 kΩ	+14 dBu @ 20 Hz, 1 kHz, 20 kHz			0.5	%
Hum & Noise (20 Hz-20 kHz) It measures in each CH unit. EIN=Equivalent Input Noise	CH 1-4 INPUT B, CH 5/6-11/12 MIC	MAIN OUT	10 kΩ	EIN, Rs=150 Ω CH1-4 MIC/LINE:MIC			-115	dBu
	CH INPUT 1-11/12	MAIN OUT, MONITOR OUT, EFFECT OUT		Output Noise, Rs=150 Ω CH1-4 MIC/LINE:MIC			-50	
Residual Output Noise (20 Hz-20 kHz)	-	MAIN OUT L, R	10 kΩ	Master control at minimum.			-90	dBu
		MONITOR OUT					-90	
		SPEAKERS OUT			4 Ω			
	Input	Output	Conditions	MIN	TYP	MAX	UNIT	
Crosstalk @ 1 kHz It measures in each CH unit.	CH 1-4	Adjacent CH inputs				-65	dB	
		MAIN OUT	Input to Output (LEVEL controls: minimum)			-65		
Phantom Voltage It measures in each CH unit.	Output	-		MIN	TYP	MAX	UNIT	
	CH 1-4 INPUT B, CH 5/6-11/12 MIC	-	No load	14	15	16	V	
CH & ST CH Equalization	HIGH	Turn over /roll-off frequency of shelving :3dB below maximum variable level. ±15dB maximum	10 k (shelving)	Hz				
	MID		2.5 k (peaking)					
	LOW		100 (shelving)					
Internal Digital Effect	16 programs, Parameter control							
	FOOT SW					ON/OFF		
Level Meters	2×5-points LED level meter [MAIN(L,R)], 5-points LED level meter [MONITOR] +6, +3, 0, -5, -10 [dB]							
FCL Sensivity	Input signal level ≥ -75dBu: LED on, CH1-4 MIC/LINE:MIC B Input, CH 5/6-11/12 MIC Input							
Protection	Power Amplifier	POWER switch on/off mute DC-fault :power supply shutdown /manual reset Thermal /heatsink temp ≥ 90°C:output mute /auto reset VI limiter /RL ≤ 2 Ω Clip limiter /THD ≥ 1 %, Indicator × 2						
	Power Supply	Thermal /heatsink temp ≥ 100°C :power supply shutdown /manual reset						

EMX212S

		MIN	TYP	MAX	UNIT
Power Consumption		300			W
AC Cord	Length	2450	2500	2550	mm
Dimensions	Height	284			mm
	Depth	264			
	Width	442.5			
Net Weight		8			kg
Included Accessories	Power cord, Rubber stabilizers × 2, Owner's Manual				
Options	RACK MOUNT KIT (RK512), FOOT SW (FC5)				

Note: All level control normally: Maximum level, Output impedance of signal generator :150 Ω

• Input Characteristics

Input Terminals	MIC/ LINE	Actual Load Impedance	For Use with Normal	Input Level			Connector	
				Sensitivity *2	Nominal (▼ position)	Max. before Clip		
CH INPUT 1-4	XLR	2 kΩ	50-600 Ω Mics	-60 dBu (0.775 mV)	-35 dBu (13.8 mV)	-15 dBu (138 mV)	XLR-3-31 type *3	
				-30 dBu (24.5 mV)	-5 dBu (436 mV)	+15 dBu (4.36 V)		
	Phone	6 kΩ	600 Ω Lines	-50 dBu (2.45 mV)	-25 dBu (43.6 mV)	-5 dBu (436 mV)	Phone Jack *4	
				-20 dBu (77.5 mV)	+5 dBu (1.38 V)	+25 dBu (13.8 V)		
CH INPUT 5/6, 7/8	XLR	-	2 kΩ	50-600 Ω Mics	-60 dBu (0.775 mV)	-35 dBu (13.8 mV)	-15 dBu (138 mV)	XLR-3-31 type *3
	Phone	-	10 kΩ	600 Ω Lines	-20 dBu (77.5 mV)	+5 dBu (1.38 V)	+25 dBu (13.8 V)	Phone Jack *5
CH INPUT 9/10,11/12	XLR	-	2 kΩ	50-600 Ω Mics	-60 dBu (0.775 mV)	-35 dBu (13.8 mV)	-15 dBu (138 mV)	XLR-3-31 type *3
	Pin	-	10 kΩ	600 Ω Lines	-20 dBu (77.5 mV)	+5 dBu (1.38 V)	+25 dBu (13.8 V)	RCA Pin Jack

*1 0 dBu is referenced to 0.775 Vrms.

*2 Sensitivity is the lowest level that will produce an output of +4 dB (1.23 V), or the nominal output level when the unit is set to maximum level.
(All level controls are at maximum position.)

*3 XLR-3-31 type connectors are balanced. (1=GND, 2=HOT, 3=COLD)

*4 Phone Jacks are balanced. (Tip=HOT, Ring=COLD, Sleeve=GND)

*5 Phone Jacks are unbalanced.

• Output Characteristics

Output Terminals	Actual Source Impedance	For Use with Normal	Output Level		Connector	
			Normal	Max. before Clip		
SPEAKERS [A1, A2, B1, B2]	0.1 Ω	4 Ω Speakers	50 W	220 W	[A1, B1] SPEAKON [A2, B2] Phone Jack	
MAIN OUT [L, R]	600 Ω	10 kΩ Lines	-	+4 dBu (1.23 V)	+20 dBu (7.75 V)	Phone Jack*2
EFFECT OUT	600 Ω	10 kΩ Lines	-	+4 dBu (1.23 V)	+20 dBu (7.75 V)	Phone Jack*2
MONITOR OUT	600 Ω	10 kΩ Lines	-	+4 dBu (1.23 V)	+20 dBu (7.75 V)	Phone Jack*2
REC OUT [L, R]	600 Ω	10 kΩ Lines	-	-10 dBu (316 mV)	+10 dBu (3.16 V)	RCA Pin Jack

*1 0 dBu is referenced to 0.775 Vrms. 0dBV is referenced to 1 Vrms.

*2 Phone Jacks are unbalanced.

■ 仕様

● 一般仕様

	出力	RL	条件	最小	標準	最大	単位	
最大出力	SPEAKERS OUT	4 Ω 8 Ω	A/B 両チャンネル駆動, 1kHz, THD+N ≤ 0.5%	200 120			W	
	入力	出力	RL	条件	最小	標準	最大	単位
周波数特性	CH INPUT 1-11/12	MAIN OUT, MONITOR OUT, EFFECT OUT, REC OUT	10 kΩ	CH1-4 MIC/LINE: MIC 20 Hz-20 kHz, 0 dB @ 1 kHz	-3.0	0.0	1.0	dB
		SPEAKERS OUT	4 Ω		-3.0	0.0	1.0	
最大電圧ゲイン @ 1kHz	CH 1-4 INPUT B, CH 5/6-11/12 MIC	MAIN OUT, MONITOR OUT	10 kΩ	Rs=150 Ω CH1-4 MIC/LINE:MIC		65		dB
ゲインエラー @ 1 kHz チャンネル単位で測定	CH 1-4 INPUT B, CH 5/6-11/12 MIC	MAIN OUT	10 kΩ	Input level: -60 dBu CH1-4 MIC/LINE:MIC	2.0	4.0	6.0	dBu
		MONITOR OUT		Input level: -60 dBu CH1-4 MIC/LINE:MIC	2.0	4.0	6.0	
		EFFECT OUT		Input level: -60 dBu CH1-4 MIC/LINE:MIC	-8.0	-6.0	-4.0	
		REC OUT		Input level: -60 dBu CH1-4 MIC/LINE:MIC	-12.0	-10.0	-8.0	
	CH 1-4 INPUT A	MAIN OUT		Input level: -50 dBu MIC/LINE:MIC	2.0	4.0	6.0	dBu
	CH 5/6-7/8 LINE (Phone)	MAIN OUT		Input level: -20 dBu	2.0	4.0	6.0	
	CH 9/10-11/12 LINE (Pin)	MAIN OUT		Input level: -20 dBu	2.0	4.0	6.0	
全高調波歪率 チャンネル単位で測定 (THD+N)	CH INPUT 1-11/12	MAIN OUT, MONITOR OUT, EFFECT OUT, REC OUT	10 kΩ	+14 dBu @ 20 Hz, 1 kHz, 20 kHz			0.5	%
ハム & ノイズ (20 Hz-20 kHz) チャンネル単位で測定 入力換算ノイズ	CH 1-4 INPUT B, CH 5/6-11/12 MIC	MAIN OUT	10 kΩ	入力換算ノイズ, Rs=150 Ω CH1-4 MIC/LINE:MIC			-115	dBu
	CH INPUT 1-11/12	MAIN OUT, MONITOR OUT, EFFECT OUT		Output Noise, Rs=150 Ω CH1-4 MIC/LINE:MIC			-50	
残留ノイズ (20 Hz-20 kHz)	-	MAIN OUT L, R	10 kΩ	Master コントロール = 最小レベル			-90	dBu
		MONITOR OUT					-90	
		SPEAKERS OUT			4 Ω			
	入力	出力	条件	最小	標準	最大	単位	
クロストーク @ 1 kHz チャンネル単位で測定	CH 1-4	入力チャンネル間					-65	dB
		MAIN OUT	LEVEL コントロール = 最小レベル				-65	
ファンタム電源 チャンネル単位で測定	CH 1-4 INPUT B, CH 5/6-11/12 MIC	-		負荷なし	14	15	16	V
モノラル、ステレオチャン ネルイコライザー	HIGH	シェルビングタイプのターンオー バー / ロールオフ周波数: 最大可 幅に対して 3 dB 下がったポイン ± 15dB (最大可変幅)		10 k (シェルビングタイプ)				Hz
	MID			2.5 k (ピーキングタイプ)				
	LOW			100 (シェルビングタイプ)				
内蔵デジタルエフェクト	16 プログラム、 PARAMETER コントロール フットスイッチ			ON/OFF				
レベルメーター	2 × 5 ポイント LED レベルメーター [MAIN(L,R)], 5 ポイント LED レベルメーター [MONITOR] +6, +3.0, -5, -10 [dB]							
FCL 入力感度	入力信号レベル ≥ -75 dBu : LED 点灯, CH1-4 MIC/LINE:MIC 入力 B, CH 5/6-11/12 入力 MIC							
保護回路	パワーアンプ	POWER スイッチ On/Off ミュート DC 検知: 電源シャットダウン / 自動復帰なし 温度 / ヒートシンク温度 ≥ 90 °C : 出力ミュート / 自動復帰 VI リミッター / RL ≤ 2 Ω Clip リミッター / THD ≥ 1%, インジケータ × 2						
	電源	温度 / ヒートシンク温度 ≥ 100 °C : 電源シャットダウン / 自動復帰なし						

		最小	標準	最大	単位
消費電力		350			W
電源コード	長さ	2450	2500	2550	mm
最大外形寸法	高さ	284			mm
	奥行	264			
	幅	442.5			
質量		8			kg

付属品	電源コード、スピーカーケーブル× 2、ゴム製スタビライザー× 2、取扱説明書
オプション	ラックマウントキット (RK512)、フットスイッチ (FC5)

Note: LEVEL コントロール = 最大レベル、出力インピーダンス = 150Ω

• 入力仕様

入力端子名称	MIC/ LINE	入力イン ピーダンス	適合インピー ダンス	入力レベル			端子仕様	
				感度*2	ノミナルレベル (▼の位置)	最大ノンクリップ レベル		
CH INPUT 1-4	XLR	MIC LINE	2 kΩ	50-600 Ω マイク	-60 dBu (0.775 mV)	-35 dBu (13.8 mV)	-15 dBu (138 mV)	XLR-3-31タイプ*3
					-30 dBu (24.5 mV)	-5 dBu (436 mV)	+15 dBu (4.36 V)	
	Phone	MIC LINE	6 kΩ	600 Ω ライン	-50 dBu (2.45 mV)	-25 dBu (436 mV)	-5 dBu (436 mV)	フォーン端子*4
					-20 dBu (77.5 mV)	+5 dBu (1.38 V)	+25 dBu (13.8 V)	
CH INPUT 5/6, 7/8	XLR	-	2 kΩ	50-600 Ω マイク	-60 dBu (0.775 mV)	-35 dBu (13.8 mV)	-15 dBu (138 mV)	XLR-3-31タイプ*3
					-20 dBu (77.5 mV)	+5 dBu (1.38 V)	+25 dBu (13.8 V)	
CH INPUT 9/10, 11/12	XLR	-	2 kΩ	50-600 Ω マイク	-60 dBu (0.775 mV)	-35 dBu (13.8 mV)	-15 dBu (138 mV)	XLR-3-31タイプ*3
					-20 dBu (77.5 mV)	+5 dBu (1.38 V)	+25 dBu (13.8 V)	
	Pin	-	10 kΩ	600 Ω ライン	-20 dBu (77.5 mV)	+5 dBu (1.38 V)	+25 dBu (13.8 V)	RCAピン端子

*1 0 dBu = 0.775 Vrms.

*2 入力感度：最大ゲイン測定時に+4 dB(1.23 V) または定格出力が得られる最小レベル

*3 バランス型XLR-3-31 タイプ端子 (1 = グラウンド、2 = ホット、3 = コールド)

*4 バランス型フォーン端子 (T = ホット、R = コールド、S = グラウンド)

*5 アンバランス型フォーン端子

• 出力仕様

出力端子名称	出カインピー ダンス	適合インピー ダンス	出力レベル		端子仕様	
			ノミナルレベル	最大ノンクリップ レベル		
SPEAKERS [A1, A2, B1, B2]	0.1 Ω	4 Ω Speakers	50 W	200 W	[A1, B1] スピコン端子 [A2, B2] フォーン端子	
MAIN OUT [L, R]	600 Ω	10 kΩ ライン	-	+4 dBu (1.23 V)	+20 dBu (7.75 V)	フォーン端子*2
EFFECT OUT	600 Ω	10 kΩ ライン	-	+4 dBu (1.23 V)	+20 dBu (7.75 V)	フォーン端子*2
MONITOR OUT	600 Ω	10 kΩ ライン	-	+4 dBu (1.23 V)	+20 dBu (7.75 V)	フォーン端子*2
REC OUT [L, R]	600 Ω	10 kΩ ライン	-	-10 dBu (316 mV)	+10 dBu (3.16 V)	RCAピン端子

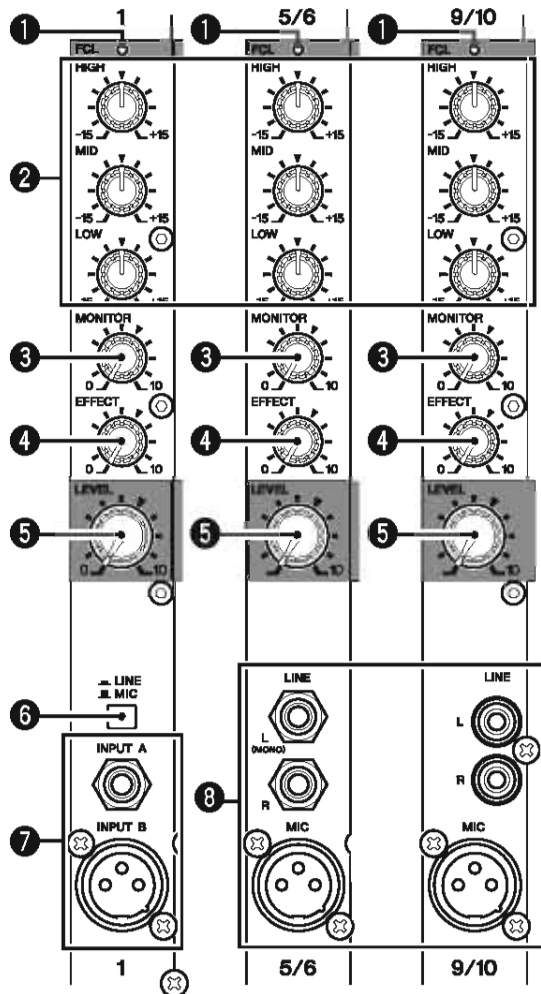
*1 0 dBu = 0.775 Vrms、0dBV=1Vrmsとする

*2 アンバランス型フォーン端子

■ PANEL LAYOUT (パネルレイアウト)

• Controls on Each channel

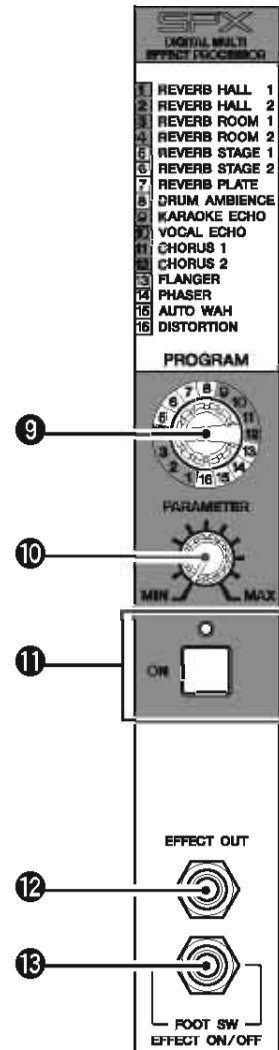
(各チャンネルコントロール)



- ① FCL (Feedback Channel Locating) indicator
- ② Equalizer gain control (HIGH, MID, and LOW)
- ③ MONITOR control
- ④ EFFECT control
- ⑤ LEVEL control
- ⑥ LINE/MIC switch (Channels 1 to 4)
- ⑦ INPUT A and INPUT B jacks (Channels 1 to 4)
- ⑧ LINE and MIC jacks (Channels 5/6 to 11/12)

- ① FCL (フィードバックチャンネルロケータリング)
- ② EQ ゲインコントロール (HIGH、MID、LOW)
- ③ MONITOR コントロール
- ④ EFFECT コントロール
- ⑤ LEVEL コントロール
- ⑥ LINE/MIC スイッチ
- ⑦ INPUT A/B 端子 (チャンネル1 から 4)
- ⑧ LINE/MIC 端子 (チャンネル5/6 から 11/12)

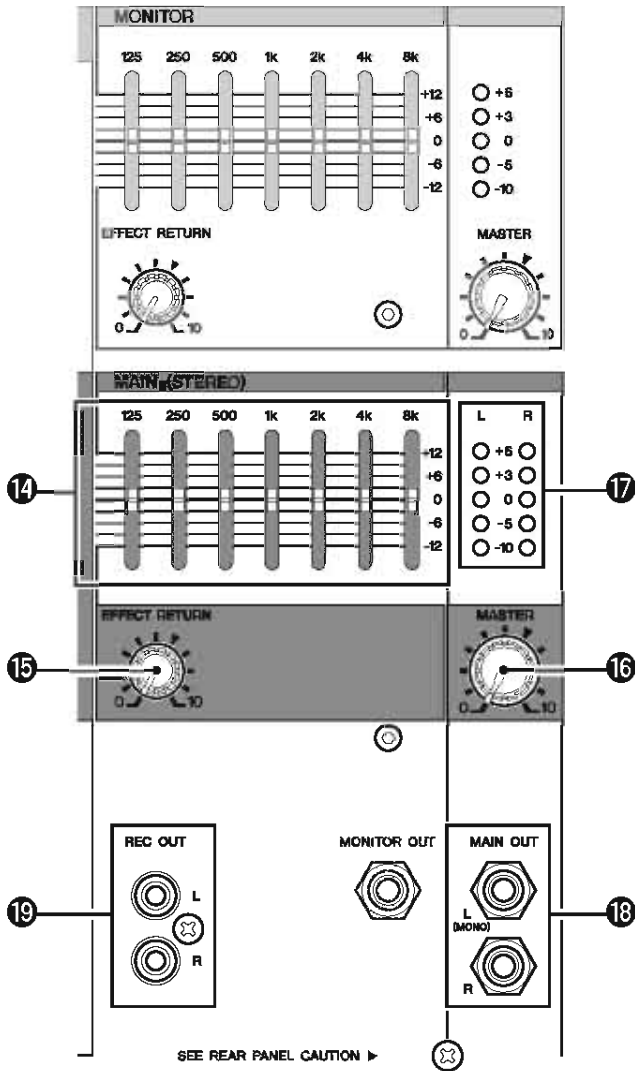
• Digital Effect Section (デジタルエフェクト部)



- ⑨ PROGRAM selector
- ⑩ PARAMETER control
- ⑪ DIGITAL EFFECT ON switch
- ⑫ EFFECT OUT jack
- ⑬ FOOT SW jack

- ⑨ PROGRAM セレクター
- ⑩ PARAMETER コントロール
- ⑪ DIGITAL EFFECT ON スイッチインジケータ
- ⑫ EFFECT OUT 端子
- ⑬ FOOT SW 端子

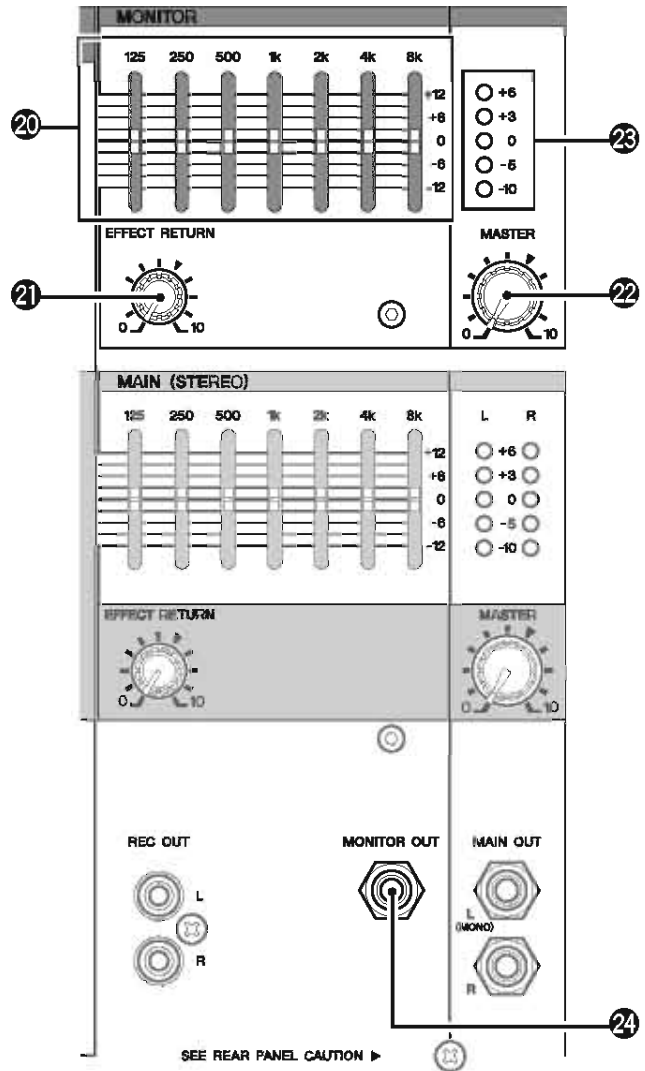
• MAIN Section (MAIN 部)



- ⑭ Graphic Equalizer faders
- ⑮ EFFECT RETURN control
- ⑯ MASTER control
- ⑰ LEVEL meters
- ⑱ MAIN OUT L and R jacks
- ⑲ REC OUT L and R jacks

- ⑭ GEQ (グラフィックイコライザー) フェーダー
- ⑮ EFFECT RETURN コントロール
- ⑯ MASTER コントロール
- ⑰ LEVEL メーター
- ⑱ MAIN OUT L/R 端子
- ⑲ REC OUT L/R 端子

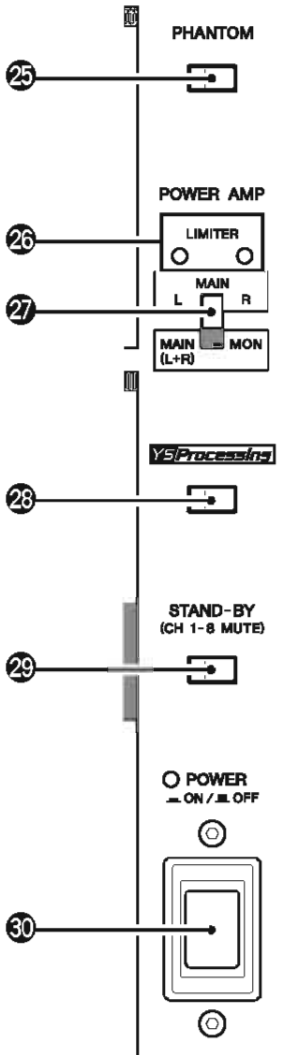
• MONITOR Section (MONITOR 部)



- ⑳ Graphic Equalizer faders
- ㉑ EFFECT RETURN control
- ㉒ MASTER control
- ㉓ LEVEL meters
- ㉔ MONITOR OUT jack

- ⑳ GEQ (グラフィックイコライザー) フェーダー
- ㉑ EFFECT RETURN コントロール
- ㉒ MASTER コントロール
- ㉓ LEVEL メーター
- ㉔ MONITOR OUT 端子

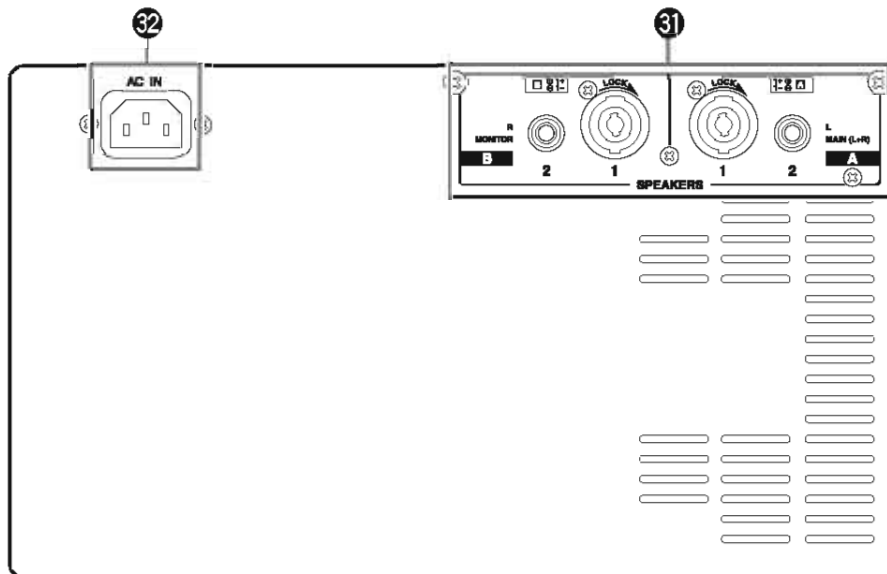
• POWER Section (POWER 部)



- ②⑤ PHANTOM switch
- ②⑥ LIMITER indicators
- ②⑦ POWER AMP switch
- ②⑧ YS Processing switch
- ②⑨ STAND-BY switch
- ③⑩ POWER switch and indicator

- ②⑤ PHANTOM スイッチ
- ②⑥ LIMITER インジケータ
- ②⑦ POWER AMP 切り替えスイッチ
- ②⑧ YS Processing スイッチ
- ②⑨ STAND-BY スイッチ
- ③⑩ POWER スイッチ、インジケータ

• Rear panel (リアパネル)

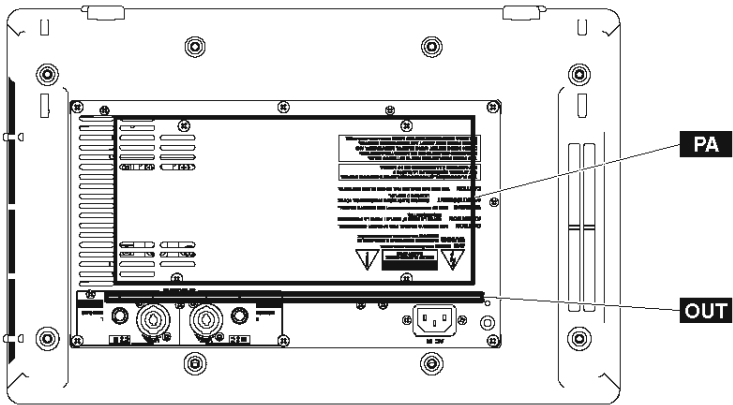


- ③① SPEAKERS jacks
- ③② AC IN connector

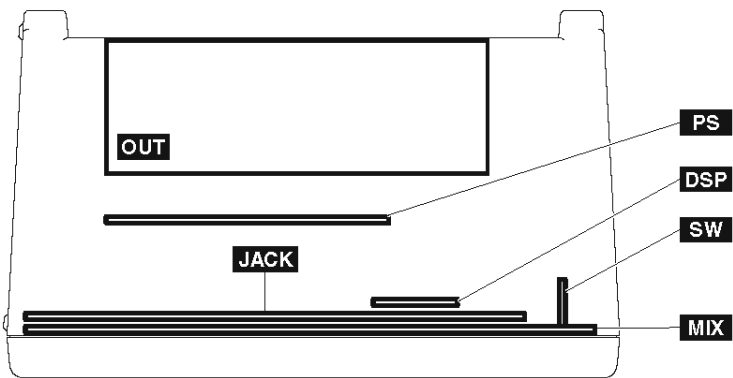
- ③① SPEAKERS 端子
- ③② AC IN 端子

■ CIRCUIT BOARD LAYOUT (ユニットレイアウト)

• Rear View (背面図)

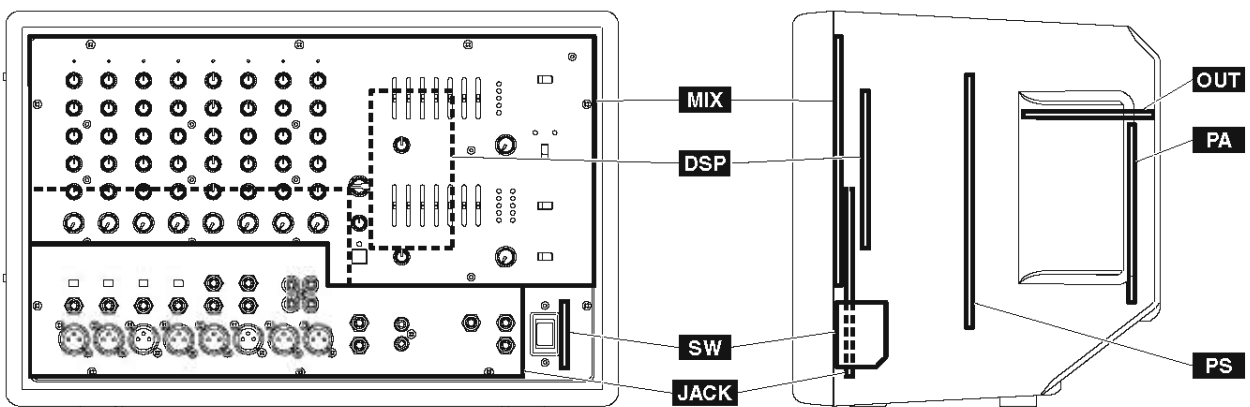


• Top View (上面図)

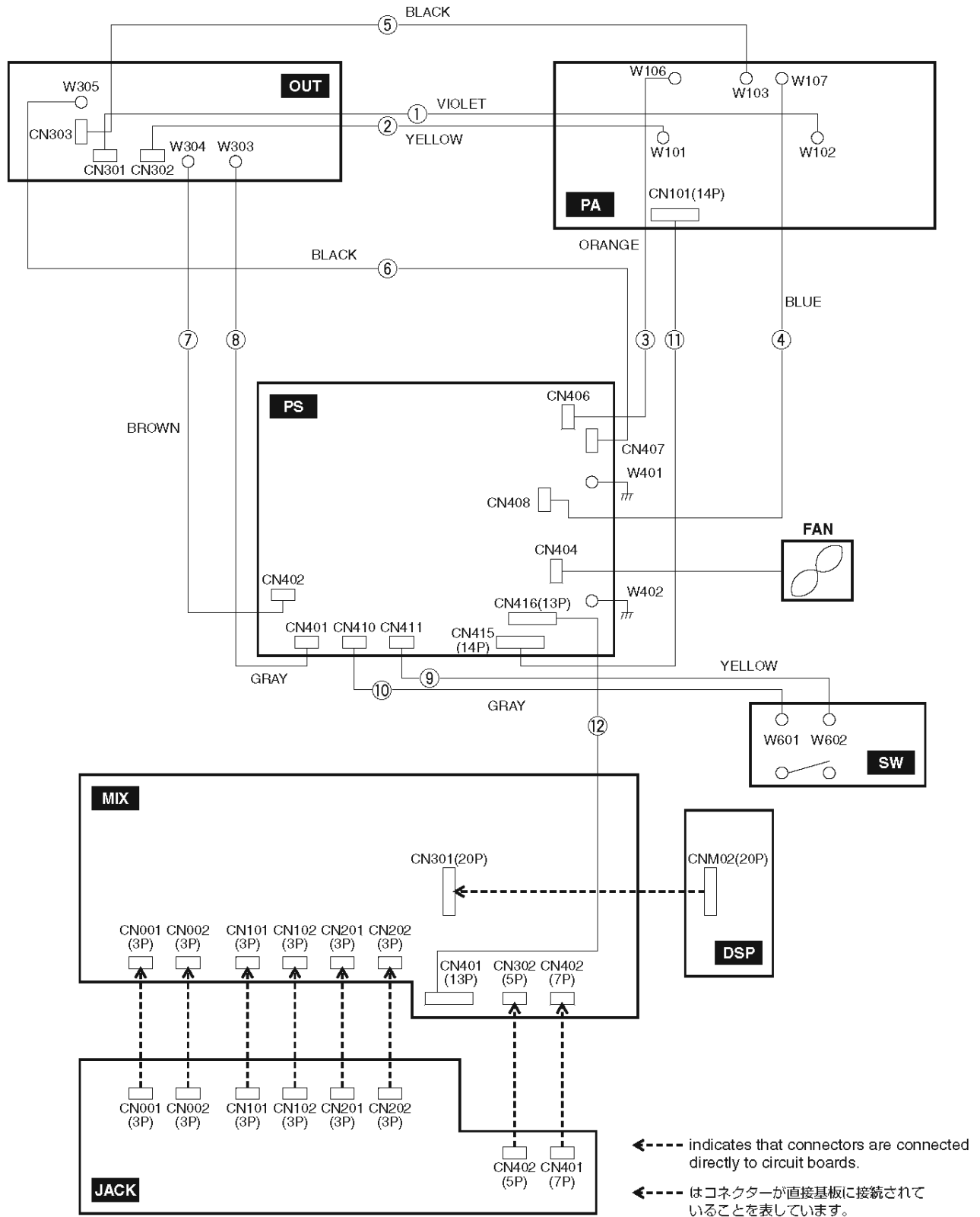


• Front View (正面図)

• Side View (側面図)



■ WIRING DIAGRAM (基板結線図)

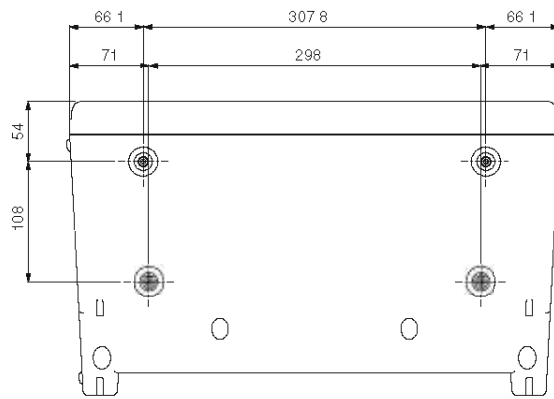
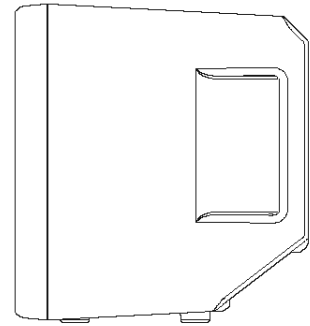
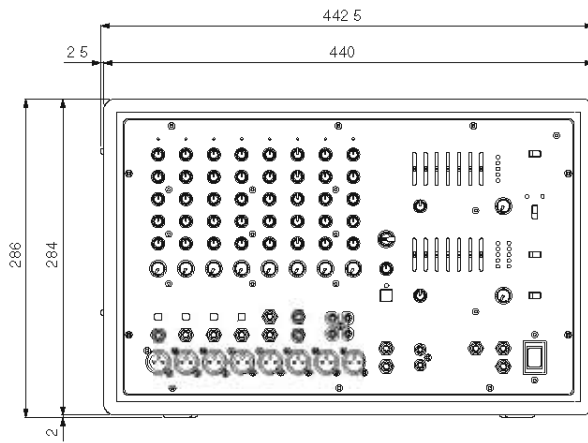
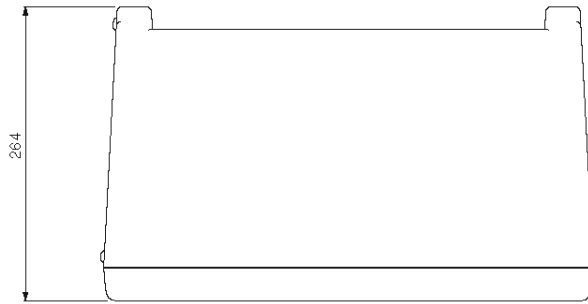


EMX212S

No.	Part No.	Assembly Name		Connection	Remarks
		線材名			
①	(WE29820)	Connector Assembly B&C	東線	PA-W102 <-> OUT-CN301	Violet
②	(WE29900)	Connector Assembly B&C	東線	PA-W101 <-> OUT-CN302	Yellow
③	(WE29850)	Connector Assembly B&C	東線	PA-W106 <-> PS-CN406	Orange
④	(WE29860)	Connector Assembly B&C	東線	PA-W107 <-> PS-CN408	Blue
⑤	(WE29910)	Connector Assembly B&C	東線	PA-W103 <-> OUT-CN303	Black
⑥	(WF58250)	Connector Assembly B&C	東線	OUT-W305 <-> PS-CN406	Black
⑦	(WE29930)	Connector Assembly B&C	東線	OUT-W304 <-> PS-CN402	Brown
⑧	(WE29940)	Connector Assembly B&C	東線	OUT-W303 <-> PS-CN401	Gray
⑨	(WE29880)	Connector Assembly B&C	東線	SW-W602 <-> PS-CN411	Yellow
⑩	(WE29940)	Connector Assembly B&C	東線	SW-W601 <-> PS-CN410	Gray
⑪	(WE34870)	Jumper Wire SMV2J P=2 14-300	ジャンパーリード	PS-CN415 <-> PA-CN101	
⑫	(WE25580)	Jumper Wire SMV2J P=2 13-230	ジャンパーリード	PS-CN416 <-> MIX-CN401	

Parts in parentheses are not available as spare parts.
 カッコ内の部品はサービス部品として準備されていません。

■ DIMENSIONS (寸法図)

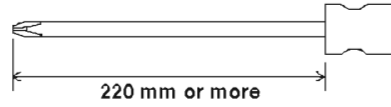


Unit: mm
単位: mm

■ DISASSEMBLY PROCEDURES

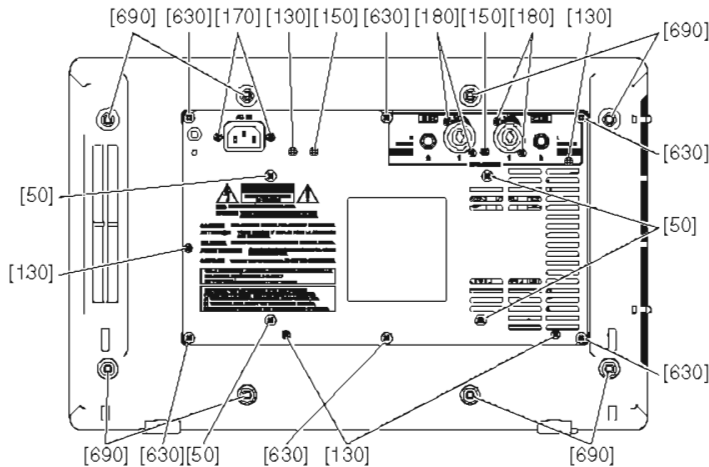
● Preparing

A screwdriver with a long shaft is required to remove some screws.



1. Front Panel Unit (Time required: about 5 minutes)

- 1-1 Remove the eight (8) screws marked [690]. (Fig.1)
- Remove the jumper wire from CN416 on the PS circuit board and the wires (gray and yellow) from CN410 and CN411 on the PS circuit board. The front panel unit can then be removed. (Photo.1 & Photo.2)
- * When removing the front panel printed only, remove the screws and knobs marked with ▼. (Fig.1)



- [50]: Bind Head Screw 4x8 MFZN2B3 (WE969000) **小ネジ+BIND**
- [130]: Bind Head Tapping Screw-S 3x6 MFZN2B3 (WE877800) **Sタイト+BIND**
- [150]: Bind Head Tapping Screw-S 3x6 MFZN2B3 (WE877800) **Sタイト+BIND**
- [170]: Bind Head Tapping Screw-B 3x12 MFZN2B3 (WE998100) **Bタイト+BIND**
- [180]: Flat Fillister H. Tapping 3x8 MFZN2W3 (WF790100) **Bタイト+平頭**
- [630]: Bind Head Tapping Screw-P 4x16 MFZN2B3 (WE980800) **Pタイト+BIND**
- [690]: Bind Head Tapping Screw-P 5x25 MFZN2W3 (WG158600) **Pタイト+BIND**

Fig.1 (図 1)

■ 分解手順

● 準備

一部のネジの取り外しには、軸が長いドライバーが必要です。

1. フロントパネルユニット (所要時間：約5分)

- 1-1 [690]のネジ8本を外し、フロントパネルユニットを外します。(図1)
- PSシートのCN416からジャンパーリードを、CN410、CN411から束線(灰色、黄色)を外すと、フロントパネルユニットの分離ができます。(写真1、写真2)
- ※ フロントパネル印刷上りのみを取り外す場合は、▼マークがついたネジおよびノブを外します。(図1)

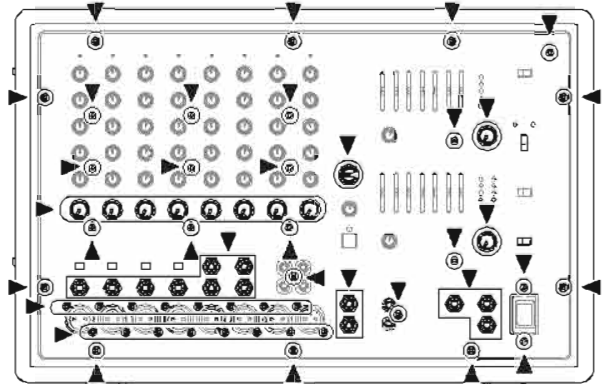


Photo.1 (写真 1)

PS circuit board (PSシート)

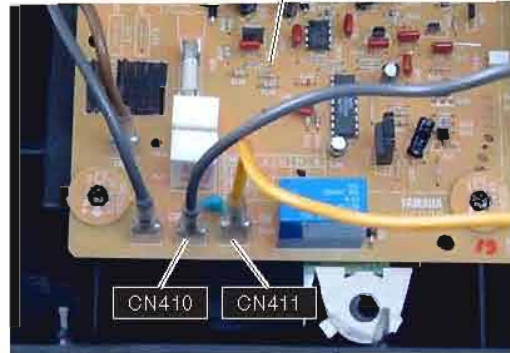


Photo.2 (写真 2)

2. JACK, DSP and MIX Circuit Boards

- ① Remove the front panel unit. (See procedure 1.)
- ② Remove the knobs specified in the Fig.2 and Table.1.
- ③ Remove the eighteen (18) screws marked [500], twelve (12) screws marked [490] and thirteen (13) hexagonal nuts and washers. (Fig.2 & Fig.3)
- ④ Remove the fourteen (14) screws marked [510]. The JACK, DSP and MIX circuit boards can then be removed together. (Fig.3)
- ⑤ Remove the four (4) screws marked [514] and the shield plate can then be removed. (Fig.4)

2-1 JACK Circuit Board

(Time required: about 5 minutes)

- 2-1-1 Remove the two (2) hexagonal spacer marked [511], the screw marked [410] and the two (2) screws marked [430]. The JACK circuit board can then be removed. (Fig.3 & Fig.4)

2-2 DSP Circuit Board

(Time required: about 4 minutes)

- 2-2-1 Remove the two (2) screws marked [470] and the cover DSP. (Fig.3)
- 2-2-2 Remove the four (4) screws marked [450]. The DSP circuit board can then be separated from the MIX circuit board. (Fig.3)

2-3 MIX Circuit Board (Time required: about 1 minute)

- 2-3-1 Remove the shield. (Fig.3)

* When attaching the JACK circuit board, be sure to pass the jumper wire from the MIX circuit board through the slit on the JACK circuit board. (Photo.3)

* The following parts are not included in the circuit boards. Be sure to remove them when replacing the circuit boards. (Fig.3)

JACK: [370] Knob Black
[610] Button D-Gray/White (LINE/MIC)

MIX: [340] Button Milky/D-Gray (PHANTOM, YSProcessing, STAND-BY)
[390] Hexagonal Spacer
[580] Button

* When replacing [340] Button Milky/D-Gray, replace three buttons at the same time. Also when replacing [610] Button D-Gray/White, replace four buttons at the same time.

3. Front Frame (Time required: about 10 minutes)

- 3-1 Remove the front panel unit. (See procedure 1.)
- 3-2 Remove the JACK, DSP and MIX circuit boards. (See procedure 2.)
- 3-3 Remove the two (2) screws marked [300]. (Fig.3)
- 3-4 Remove the ten (10) screws marked [260]. The front frame can then be separated from the front panel. (Fig.3)

2. JACKシート、DSPシート、MIXシート

- ① フロントパネルユニットを外します。(1項参照)
- ② 図2および表1のノブを外します。
- ③ [500]のネジ18本、[490]のネジ12本、13個の六角ナットとワッシャーを外します。(図2、図3)
- ④ [510]のネジ14本を外し、JACKシート、DSPシート、MIXシートを外します。(図3)
- ⑤ [514]のネジ4本を外し、シールドプレートHを外します。(図4)

2-1 JACKシート (所要時間: 約5分)

- 2-1-1 [511]の六角スペーサ2個、[410]のネジ1本、[430]のネジ2本を外し、JACKシートを外します。(図3、図4)

2-2 DSPシート (所要時間: 約4分)

- 2-2-1 [470]のネジ2本を外し、カバーDSPを外します。(図3)
- 2-2-2 [450]のネジ4本を外し、MIXシートからDSPシートを外します。(図3)

2-3 MIXシート (所要時間: 約1分)

- 2-3-1 シールドDSPを外します。(図3)

※ JACKシートを取り付けるときは、MIXシートからの束線をJACKシートのスリットに通してください。(写真3)

※ 下記の部品はシート基板の構成部品ではありません。シート基板を交換するときは外して使用してください。(図3)

JACK: [370] ノブ継ぎ手 H P F

[610] ボタン H P F (LINE/MIC)

MIX: [340] ボタン P F L (PHANTOM, YSProcessing, STAND-BY)

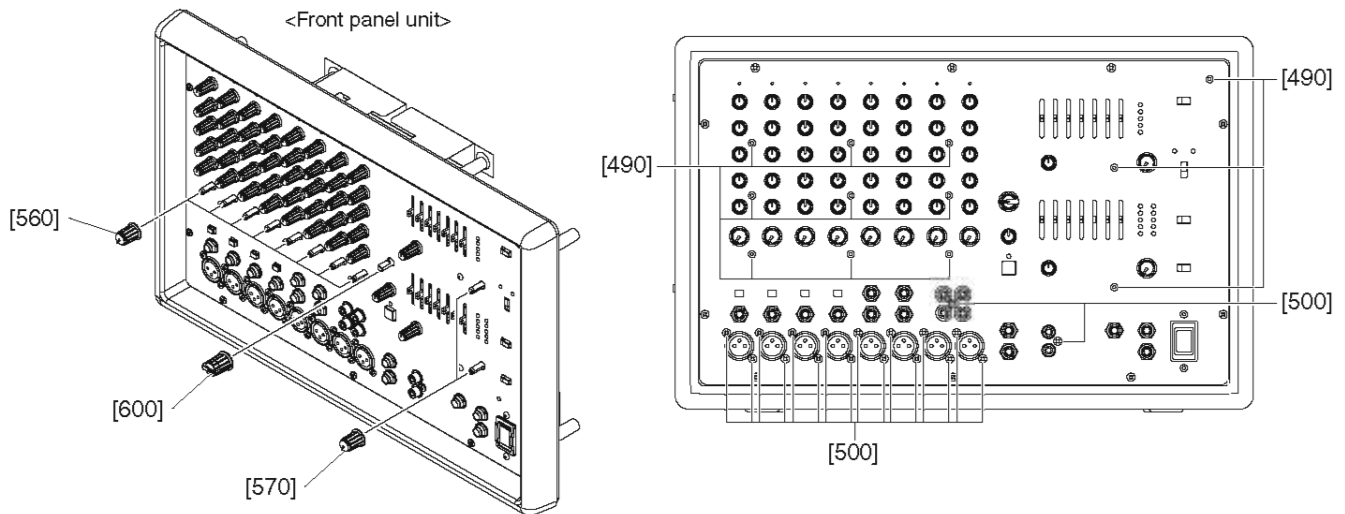
[390] 六角スペーサ M 3

[580] ボタン T A P

※ [340] ボタン PFL を交換する場合は、同時に3個交換することをおすすめします。また [610] ボタン HPF を交換する場合は同時に4個交換することをおすすめします。

3. フロントフレーム (所要時間: 約10分)

- 3-1 フロントパネルユニットを外します。(1項参照)
- 3-2 JACKシート、DSPシート、MIXシートを外します。(2項参照)
- 3-3 [300]のネジ2本を外します。(図3)
- 3-4 [260]のネジ10本を外すと、フロントフレームとフロントパネル印刷上の分離ができます。(図3)

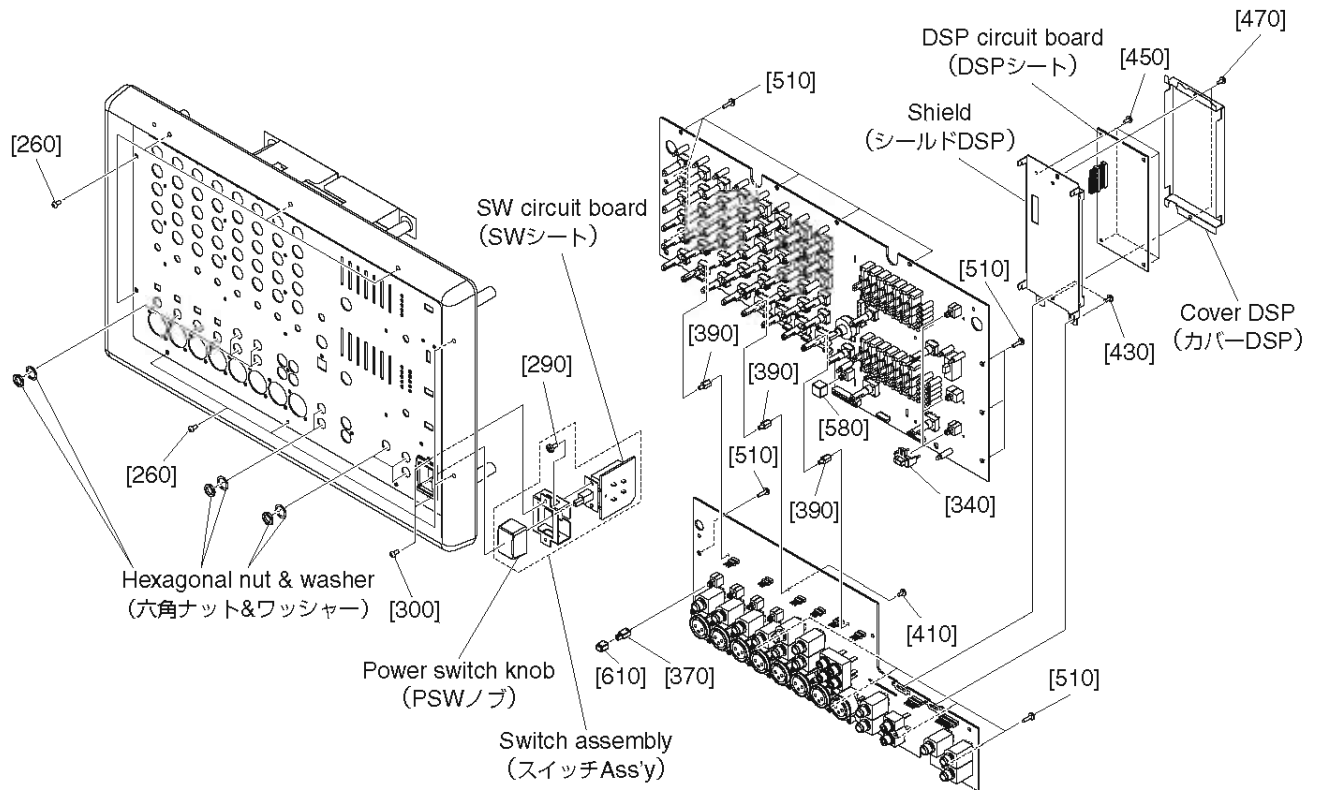


[490]: Hex. Socket Set Screw 3x6 MFZN2B3 (WF419300) S タイト 六角孔付き
 [500]: Bonding Tapping Screw-B 3x10 MFZN2B3 (WE878000) B タイト+BOND

Fig.2 (図2)

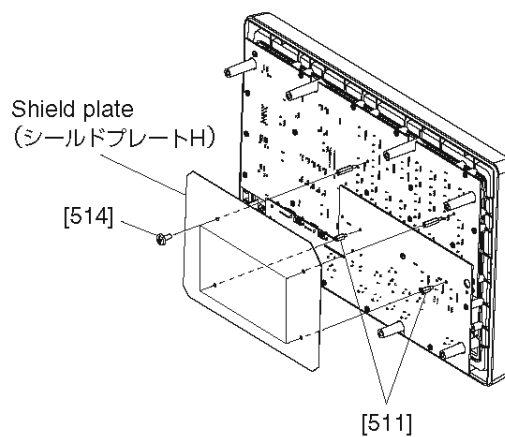
Table.1 (表1)

No.	Description		Q'ty	Control
560	Knob White/M-Gray	ノブ LEVEL	8	LEVEL (CH1-11/12)
570	Knob Red/M-Gray	ノブ LEVEL	2	MASTER (MONITOR, MAIN)
600	Knob Black	ノブ SELECT 色上	1	PROGRAM



- [260]: Bind Head Tapping Screw-P 3x10 MFZN2B3 (WF268000) P タイト+ B I N D
- [290]: Bind Head Tapping Screw-P 3x6 MFZN2W3 (WE877900) S タイト+ B I N D
- [300]: Hex. Socket Set Screw 3x6 MFZN2B3 (WF419300) S タイト 六角孔付き
- [410]: Bind Head Tapping Screw-S 3x5 MFZN2W3 (WE980200) S タイト+ B I N D
- [430]: Bind Head Tapping Screw-P 3x6 MFZN2W3 (WE877900) S タイト+ B I N D
- [450]: Bind Head Tapping Screw-P 3x6 MFZN2W3 (WE877900) S タイト+ B I N D
- [470]: Bind Head Tapping Screw-S 3x5 MFZN2W3 (WE980200) S タイト+ B I N D
- [510]: Bind Head Tapping Screw-P 3x10 MFZN2W3 (WF001000) P タイト+ B I N D

Fig.3 (図 3)



- [511]: Hexagonal Spacer (WF514300) 六角スペーサ M3
- [514]: Bonding Tapping Screw-S 3x6 MFZN2W3 (WF572000) S タイト+ B O N D

Fig.4 (図 4)

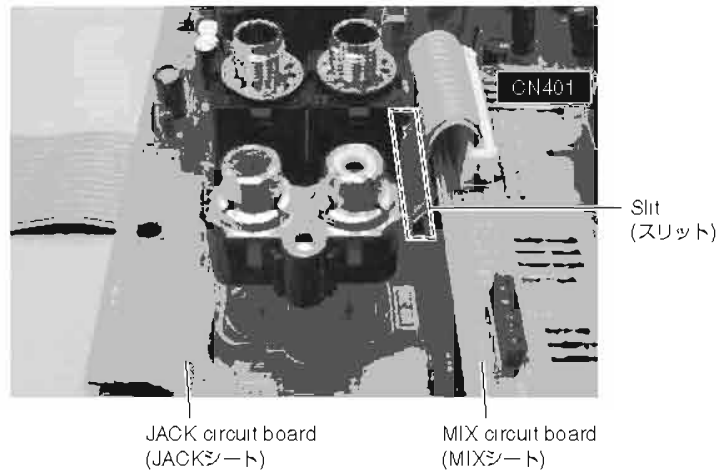


Photo.3 (写真3)

4. SW Circuit Boards

(Time required: about 5 minutes)

- 4-1 Remove the front panel unit. (See procedure 1.)
- 4-2 Remove the two (2) screws marked [300]. The switch assembly can then be removed from the front panel unit (Fig.3)
- 4-3 Remove the power switch knob. (Fig.3)
- 4-4 Remove the two (2) screws marked [290]. The SW circuit board can then be removed from the holder. (Fig.3)

4. SWシート (所要時間：約5分)

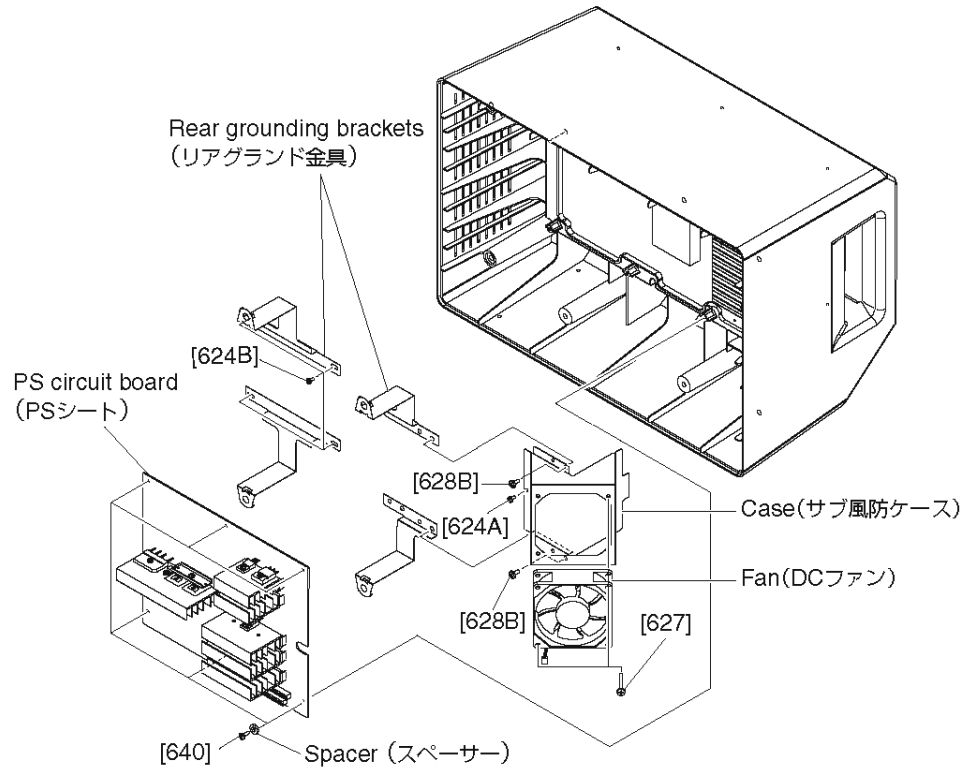
- 4-1 フロントパネルユニットを外します。(1項参照)
- 4-2 [300]のネジ2本を外し、フロントパネルユニットからスイッチ Ass'yを外します。(図3)
- 4-3 PSW ノブを外します。(図3)
- 4-4 [290]のネジ2本を外し、PSホルダーからSWシートを外します。(図3)

5. PS Circuit Board (Time required: about 10 minutes)

- 5-1 Remove the front panel unit. (See procedure 1.)
- 5-2 Remove the wires specified in the Photo.4 and Table.2.
- 5-3 Remove the two (2) screws marked [628A] and the GND wire. (Photo.5)
- 5-4 Remove the six (6) screws marked [640] and the spacers.
The PS circuit board can then be removed. (Fig.5)

5. PSシート (所要時間: 約10分)

- 5-1 フロントパネルユニットを外します。(1項参照)
- 5-2 写真4および表2の束線を外します。
- 5-3 [628A]のネジ2本を外し、アース線を外します。(写真5)
- 5-4 [640]のネジ6本を外し、PSシートを外します。(図5)



- [640]: Bind Head Tapping Screw-P 3x10 MFZN2W3 (WF001000) P タイト+ B I N D
- [624A]: Bind Head Tapping Screw-P 3x6 MFZN2W3 (WE877900) S タイト+ B I N D
- [624B]: Bind Head Tapping Screw-P 3x6 MFZN2W3 (WE877900) S タイト+ B I N D
- [627]: Bind Head Screw 4x30 MFZN2W3 (WF105900) 小ネジ+ B I N D
- [628B]: Bind Head Screw 4x8 MFZN2W3 (WE968500) 小ネジ+ B I N D

Fig.5 (図5)

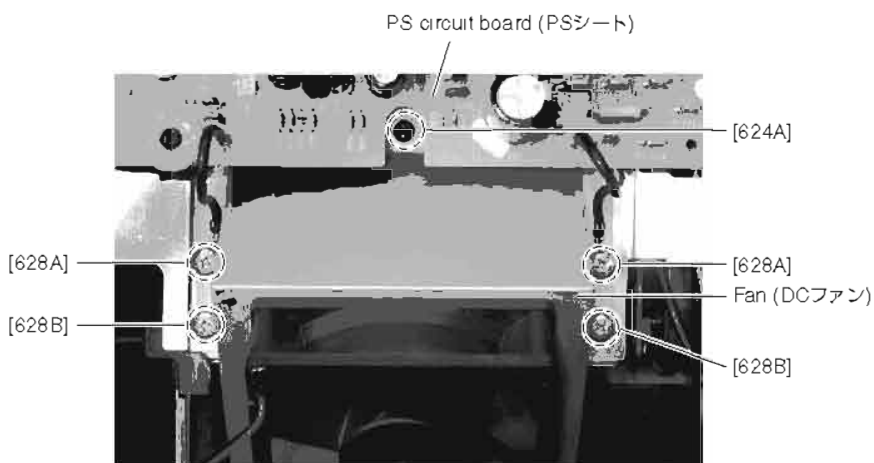


PS circuit board (PSシート)

Photo.4 (写真4)

Table.2 (表2)

No.	Connector	Color of Wire	Connected to
①	CN401	GRAY	OUT Circuit Board
②	CN402	BROWN	OUT Circuit Board
③	CN404	--	Fan
④	CN406	ORANGE	PA Circuit Board
⑤	CN407	BLACK	OUT Circuit Board
⑥	CN408	BLUE	PA Circuit Board
⑦	CN415	--	Power amplifier unit



[624A]: Bind Head Tapping Screw-P 3x6 MFZN2W3 (WE877900) **Sタイト+BIND**
 [628A]: Bind Head Screw 4x8 MFZN2W3 (WE968500) **小ネジ+BIND**
 [628B]: Bind Head Screw 4x8 MFZN2W3 (WE968500) **小ネジ+BIND**

Photo.5 (写真5)

6. Fan (Time required: about 5 minutes)

- 6-1 Remove the front panel unit. (See procedure 1.)
- 6-2 Remove the PS circuit board. (See procedure 5.)
- 6-3 Remove the screw marked [624A]. (Fig.5 & Photo.5)
- 6-4 Remove the two (2) screws marked [628B]. The fan and case can then be removed. (Fig.5 & Photo.5)
- 6-5 Remove the two (2) screws marked [627]. The fan can then be separated from the case. (Fig.5)

6. DCファン (所要時間: 約5分)

- 6-1 フロントパネルユニットを外します。(1項参照)
- 6-2 PSシートを外します。(5項参照)
- 6-3 [624A]のネジ1本を外します。(図5、写真5)
- 6-4 [628B]のネジ2本を外し、DCファンとサブ風防ケースを外します。(図5、写真5)
- 6-5 [627]のネジ2本を外し、DCファンを外します。(図5)

7. Rear Panel Unit (Time required: about 5 minutes)

- 7-1 Remove the front panel unit. (See procedure 1.)
- 7-2 Remove the PS circuit board. (See procedure 5.)
- 7-3 Remove the fan. (See procedure 6.)
- 7-4 Remove the four (4) screws marked [624B] and the rear grounding brackets. (Fig.5)
- 7-5 Remove the six (6) screws marked [630]. The rear panel unit can then be removed. (Fig.1)

* When removing the rear panel only, remove the screws marked with ▼ . (Fig.6)

8. OUT Circuit Board (Time required: about 10 minutes)

- 8-1 Remove the rear panel unit. (See procedure 7.)
- 8-2 Remove the wires (violet, yellow and black) from CN301, CN302 and CN303 on the OUT circuit board. (Photo.6)
- 8-3 Remove the two (2) screws marked [190] and the spacer. (Fig.6)
- 8-4 Remove the two (2) screws marked [150], two (2) screws marked [170], four (4) screws marked [180] and two hexagonal nuts. (Fig.1 & Fig.6)
- 8-5 Remove the screw marked [185] and the GND wire from the AC inlet. The OUT circuit board can then be removed. (Fig.6 & Photo.7)

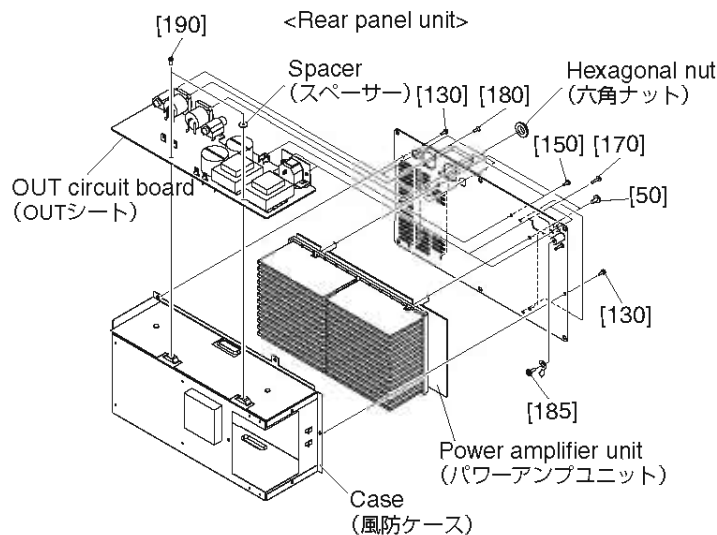
7. リアパネルユニット (所要時間 : 約5分)

- 7-1 フロントパネルユニットを外します。(1項参照)
- 7-2 PSシートを外します。(5項参照)
- 7-3 DCファンを外します。(6項参照)
- 7-4 [624B] のネジ 4 本を外し、リアグランド金具を外します。(図5)
- 7-5 [630] のネジ 6 本を外し、リアパネルユニットを外します。(図1)

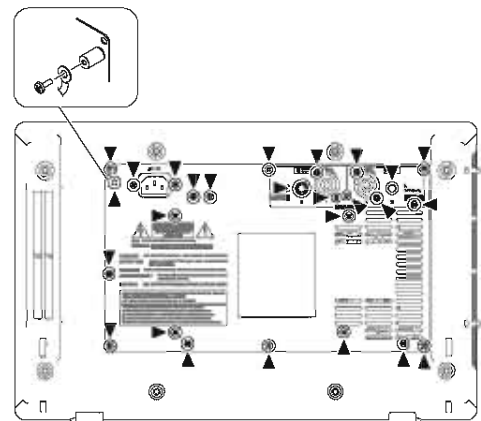
※ リアパネル印刷上りのみを取り外す場合は、▼マークがついたネジを外します。(図6)

8. OUTシート (所要時間 : 約10分)

- 8-1 リアパネルユニットを外します。(7項参照)
- 8-2 OUTシートのCN301、CN302、CN303から束線(紫、黄色、黒)を外します。(写真6)
- 8-3 [190] のネジ 2 本とスペーサー 1 個を外します。(図6)
- 8-4 [150] のネジ 2 本、[170] のネジ 2 本、[180] のネジ 4 本、六角ナット 2 個を外します。(図1、図6)
- 8-5 [185] のネジ 1 本を外し、ACインレットからのアース線を外し、OUTシートを外します。(図6、写真7)



Back(裏面)

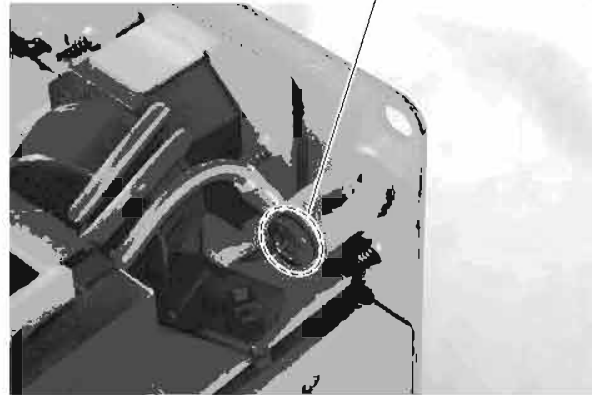


- [50]: Bind Head Screw 4x8 MFZN2B3 (WE969000) 小ネジ+ B I N D
- [130]: Bind Head Tapping Screw-S 3x6 MFZN2B3 (WE877800) S タイト+ B I N D
- [150]: Bind Head Tapping Screw-S 3x6 MFZN2B3 (WE877800) S タイト+ B I N D
- [170]: Bind Head Tapping Screw-B 3x12 MFZN2B3 (WE998100) B タイト+ B I N D
- [180]: Flat Fillister H. Tapping 3x8 MFZN2W3 (WF790100) B タイト+平頭
- [190]: Bind Head Tapping Screw-P 3x6 MFZN2W3 (WE877900) S タイト+ B I N D

Fig.6 (図6)



Photo.6 (写真6)



[185]: Blind Head Screw 4x8 MFZN2W3 (WF106500) 小ネジ+ B I N D

Photo.7 (写真7)

9. Power Amplifier Unit (Time required: about 10 minutes)

- 9-1 Remove the rear panel unit. (See procedure 7.)
- 9-2 Remove the OUT circuit board. (See procedure 8.)
- 9-3 Remove the five (5) screws marked [130]. (Fig.1 & Fig.6)
- 9-4 Remove the four (4) screws marked [50]. The power amplifier unit then can be removed from the rear panel unit, together with the case. (Fig.1 & Fig.6)
- 9-5 Remove the wires from the slit of the case. (Photo.8 & Photo.9)

9. パワーアンプユニット (所要時間：約10分)

- 9-1 リアパネルユニットを外します。(7項参照)
- 9-2 OUTシートを外します。(8項参照)
- 9-3 [130]のネジ5本を外します。(図1、図6)
- 9-4 [50]のネジ4本を外し、パワーアンプユニットと風防ケースをリアパネルユニットから外します。(図1、図6)
- 9-5 束線を風防ケースのスリットから抜きます。(写真8、写真9)

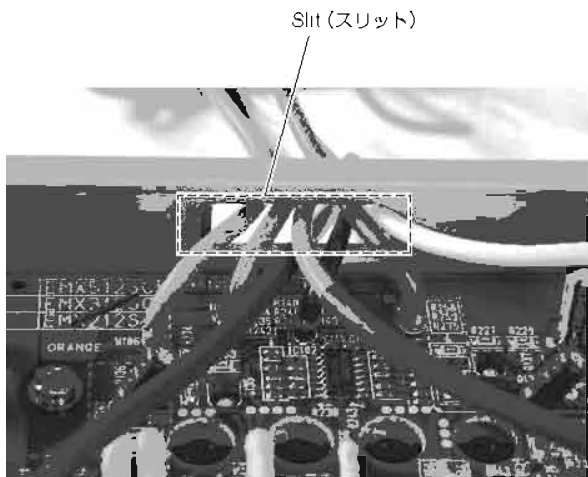


Photo.8 (写真8)

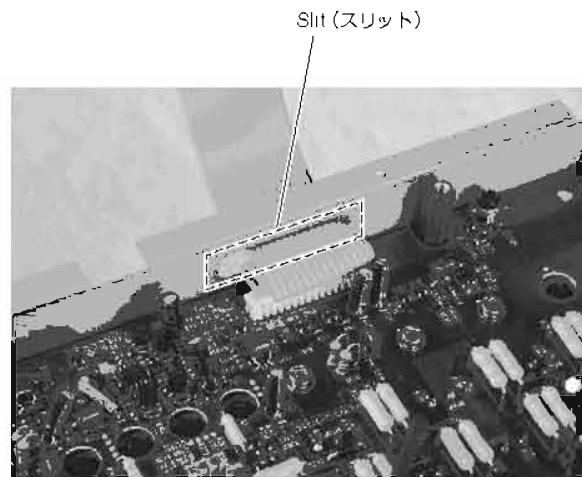


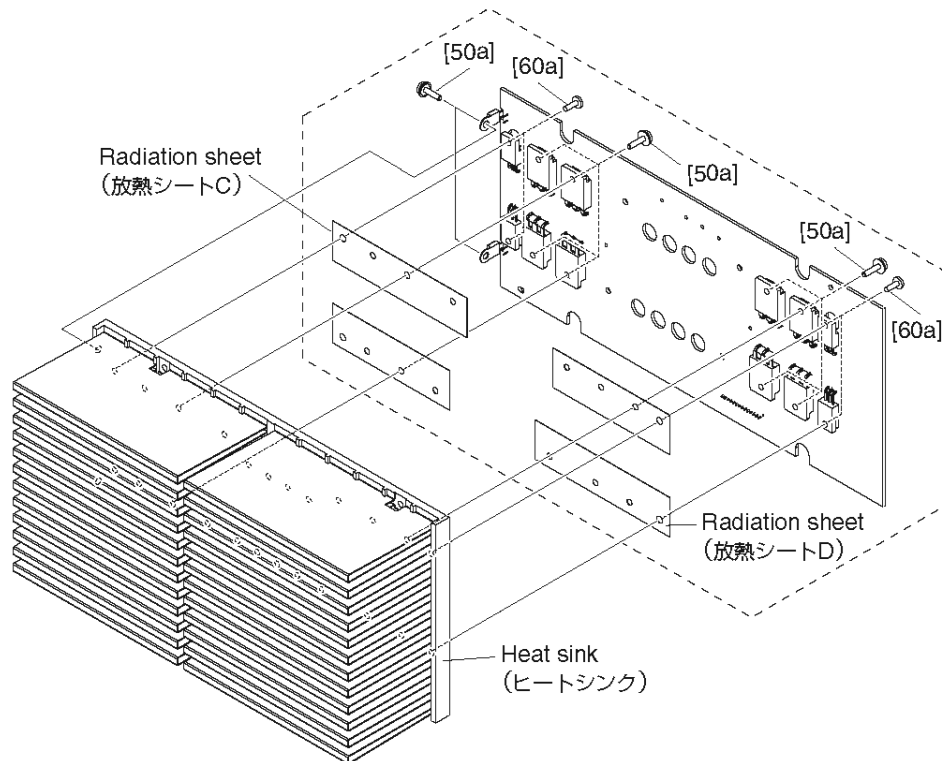
Photo.9 (写真9)

10. PA Circuit Board (Time required: about 10 minutes)

- 10-1 Remove the rear panel unit. (See procedure 7.)
- 10-2 Remove the OUT circuit board. (See procedure 8.)
- 10-3 Remove the power amplifier unit. (See procedure 9.)
- 10-4 Remove the ten (10) screws marked [50a]. (Fig.7)
- 10-5 Remove the four (4) screws marked [60a]. The PA circuit board then can be removed. (Fig.7)

10. PAシート (所要時間：約10分)

- 10-1 リアパネルユニットを外します。(7項参照)
- 10-2 OUTシートを外します。(8項参照)
- 10-3 パワーアンプユニットを外します。(9項参照)
- 10-4 [50a]のネジ10本を外します。(図7)
- 10-5 [60a]のネジ4本を外し、PAシートを外します。(図7)



[50a]: Bind Head Screw 3x12 MFZN2Y (VB763800) + バインド小ネジ

[60a]: Bind Head Tapping Screw-B 3x8 MFZN2BL (EP600190) + バインド B タイト

Fig.7 (図7)

■ LSI PIN DESCRIPTION (LSI 端子機能表)

AK5381VT-E2 (X5219A00) ADC (Analog to Digital Converter).....	24
PCM1742KEG/2K (X3538A00) DAC (Digital to Analog Converter).....	24
MX23L8103TC-90G (X5922A00) CPU	24
YMW767-VTZ (X6055A00) CPU	25

• AK5381VT-E2 (X5219A00) ADC (Analog to Digital Converter)

DSP: ICM04

PIN No.	NAME	I/O	FUNCTION	PIN No.	NAME	I/O	FUNCTION
1	AINR	I	Rch Analog input pin	9	SDTO	O	Audio serial data output pin
2	AINL	I	Lch Analog input pin	10	LRCK	I/O	Output channel clock pin
3	CKS1	I	Mode select 1 pin	11	MCLK	I	Master clock input pin
4	VCOM	O	Common voltage output pin	12	SCLK	I/O	Audio serial data clock pin
5	AGND	-	Analog ground	13	PDN	I	Power down mode pin
6	VA	-	Analog power supply	14	DIF	I	Audio interface format pin
7	VD	-	Digital power supply	15	CKS2	I	Mode select 2 pin
8	DGND	-	Digital ground	16	CKS0	I	Mode select 0 pin

• PCM1742KEG/2K (X3538A00) DAC (Digital to Analog Converter)

DSP: ICM08

PIN No.	NAME	TYPE	FUNCTION	PIN No.	NAME	TYPE	FUNCTION
1	BCK	IN	Audio Data Bit Clock Input. ⁽¹⁾	9	AGND		Analog Ground
2	DATA	IN	Audio Data Digital Input. ⁽¹⁾	10	V _{COM}		Common Voltage Decoupling.
3	LRCK	IN	L-Channel and R-Channel Audio Data Latch Enable Input. ⁽¹⁾	11	ZEROR/ ZEROA	OUT	Zero Flag Output for R-Channel/Zero Flag Output for L/R-Channel.
4	DGND		Digital Ground	12	ZEROL/NA	OUT	Zero Flag Output for L-Channel/No Assign.
5	V _{DD}		Digital Power Supply, +3.3V	13	MD	IN	Mode Control Data Input. ⁽²⁾
6	V _{CC}		Analog Power Supply, +5V	14	MC	IN	Mode Control Clock Input. ⁽²⁾
7	V _{OUTL}	OUT	Analog Output for L-Channel.	15	ML	IN	Mode Control Latch Input. ⁽²⁾
8	V _{OUTR}	OUT	Analog Output for R-Channel.	16	SCK	IN	System Clock Input.

NOTES: (1) Schmitt-trigger input, 5V tolerant. (2) Schmitt-trigger with internal pull-down, 5V tolerant.

• MX23L8103TC-90G (X5922A00) CPU

DSP: ICM10

PIN No.	NAME	I/O	FUNCTION	PIN No.	NAME	I/O	FUNCTION
1	A15	I	Address bus	25	A0	I	Address bus
2	A14	I		26	CE#	I	Chip enable
3	A13	I		27	VSS	-	Ground
4	A12	I		28	OE#	I	Output enable
5	A11	I		29	D0	O	Data bus
6	A10	I		30	D8	O	
7	A9	I		31	D1	O	
8	A8	I		32	D9	O	
9	(N.C.)	-		33	D2	O	
10	(N.C.)	-		34	D10	O	
11	(N.C.)	-	35	D3	O		
12	(N.C.)	-	(Unused)	36	D11	O	
13	(N.C.)	-	37	VCC	-	Power supply +3.3 V	
14	(N.C.)	-	38	D4	O	Data bus	
15	(N.C.)	-	39	D12	O		
16	A18	I	40	D5	O		
17	A17	I	41	D13	O		
18	A7	I	42	D6	O		
19	A6	I	43	D14	O		
20	A5	I	44	D7	O		
21	A4	I	Address bus	45	D15/A-1	I/O	Data bus / LSB address
22	A3	I	46	VSS	-	Ground	
23	A2	I	47	BYTE#	-	Word/byte mode selection	
24	A1	I	48	A16	I	Address bus	

• YMW767-VTZ (X6055A00) CPU

DSP: ICM07

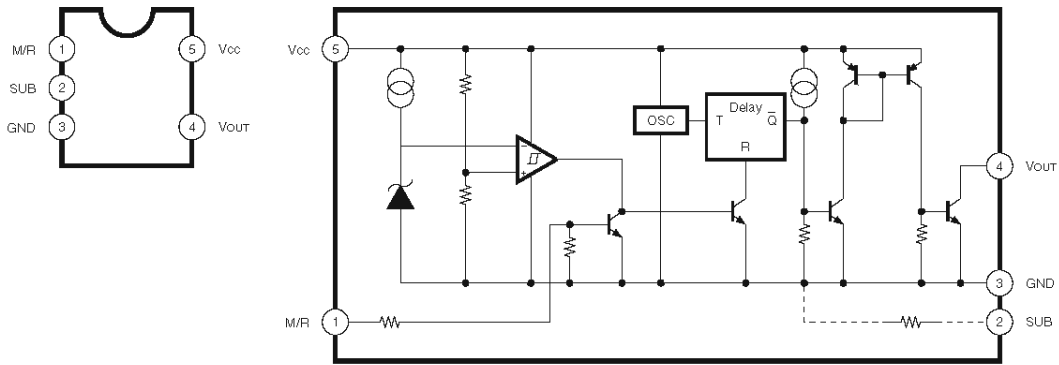
PIN No.	NAME	I/O	FUNCTION	PIN No.	NAME	I/O	FUNCTION	
1	VSS	-	VSS	65	VSS	-	VSS	
2	TESTN	I	Input for TEST	66	IOVDD	-	IOVDD +3.3V	
3	PLLBPN	I	PLL bypass select	67	LBN/LWRN/PF6	O	External memory lower-byte enable	
4	PLLVDD	-	PLLVDD +2.5V	68	UBN/UWRN/PF7	O	External memory upper-byte enable	
5	CIN	-	Capacitor terminal for PLL	69	RDN/PF4	O	External memory read enable	
6	PLLVSS	-	PLLVSS	70	MD00	I/O	External memory data bus	
7	TRSTN	I	JTAG input	71	MD08	I/O		
8	TMS	I		72	MD01	I/O		
9	TCK	I		73	MD09	I/O		
10	TDI	I		74	MD02	I/O		
11	TD0	O	JTAG output	75	MD10	I/O		
12	XI	I	Crystal oscillator	76	MD03	I/O	VSS	
13	XO	O	Crystal oscillator	77	VSS	-		
14	VSS	-	VSS	78	MD11	I/O	External memory data bus	
15	VDD	-	VDD +2.5V	79	MD04	I/O		
16	ICN	I	Hardware reset	80	MD12	I/O		
17	ECSN	I	CPU I/F chip select	81	MD05	I/O		
18	EWRN/PD5	I	CPU I/F write enable	82	MD13	I/O		
19	ERDN/PD4	I	CPU I/F read enable	83	MD06	I/O		
20	EA3/PD3	I	CPU I/F address bus	84	MD14	I/O	External memory write enable	
21	EA2/PD2	I		85	MD07	I/O		
22	EA1/PD1	I		86	MD15	I/O		
23	EA0/PD0	I		87	WRN/PF5	O		
24	IOVDD	-	IOVDD +3.3V	88	VSS	-		VSS
25	ED0/PC0	I/O	CPU I/F data bus	89	VDD	-		VDD +2.5V
26	ED1/PC1	I/O		90	IOVDD	-	IOVDD +3.3V	
27	ED2/PC2	I/O		91	MA17	O	External memory address bus	
28	ED3/PC3	I/O		92	MA16	O		
29	ED4/PC4	I/O		93	MA15	O		
30	ED5/PC5	I/O		94	MA14	O		
31	ED6/PC6	I/O		95	MA13	O		
32	ED7/PC7	I/O	96	MA12	O			
33	VSS	-	VSS	97	MA11	O		
34	IRQ0N/PH0	I	Interrupt input	98	MA10	O		
35	TxD0	O	Serial output	99	MA09	O		
36	RxD0	I	serial input	100	MA08	O		
37	TxD1/PG2	O	Serial output	101	MA07	O		
38	RxD1/PH1	I	serial input	102	MA06	O		
39	SCLK1/PH2	I	External synchronization clock	103	MA05	O		
40	SD0	O	Serial output	104	VSS	-	VSS	
41	SDI/PH3	I	serial input	105	MA04	O	External memory address bus	
42	BCLK	O	Bit clock output	106	MA03	O		
43	WCLK/SY0	O	Word clock output	107	MA02	O		
44	SYSCLK/PG3	O	Clock output	108	MA01	O		
45	VSS	-	VSS	109	CS0N/PG0	O	External memory chip select	
46	VDD	-	VDD +2.5V	110	MA18	O	External memory address bus	
47	IOVDD	-	IOVDD +3.3V	111	MA19	O		
48	PA0	I/O	I/O port	112	MA21/PF1	O		
49	PA1	I/O		113	MA22/PF2	O		
50	PA2	I/O		114	MA20	O		
51	PA3	I/O		115	MA23/PF3	O	External memory address bus	
52	PA4	I/O		116	CS1N/PG1	O	External memory chip select	
53	PA5	I/O		117	MA00/PF0	O	VSS	
54	PA6	I/O		118	VSS	-		
55	PA7	I/O	119	VDD	-	VDD +2.5V		
56	VSS	-	VSS	120	IOVDD	-		IOVDD +3.3V
57	PB0	I/O	I/O port	121	CS2N/PE0	O	External memory chip select	
58	PB1	I/O		122	CS3N/PE1	O		
59	PB2	I/O		123	CS4N/CASN/PE2	O		
60	PB3	I/O		124	CS5N/PE3	O		
61	PB4	I/O		125	CS50RDN/PE4	O		
62	PB5	I/O		126	CS51WRN/PE5	O		
63	PB6	I/O		127	CS52WRN/PE6	O		
64	PB7/SYI	I/O		128	CS53WRN/RASN/PE7	O		

■ IC BLOCK DIAGRAM (IC ブロック図)

• PST596DNR (X0165A00)

System Reset

DSP: ICM03



• NJM2068M-D (TE2) (X3505A00)

NJM4558M-TE1 (X5676A00)

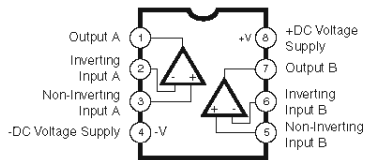
Dual Operational Amplifier

DSP: ICM09, ICM11

JACK: IC001, IC007, IC101, IC102, IC106, IC201, IC202, IC206

MIX: IC001-IC006, IC101-IC105, IC201-IC205, IC301-IC306, IC408-IC411

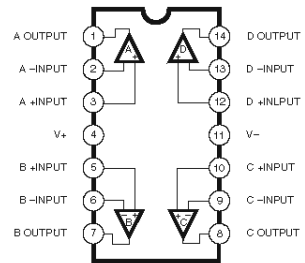
PA: IC101



• NJM2060M (XM560A00)

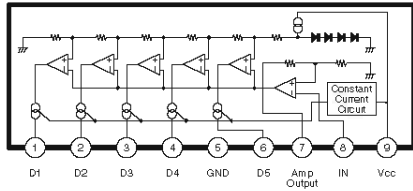
Quad Operational Amplifier

MIX: IC401-IC406



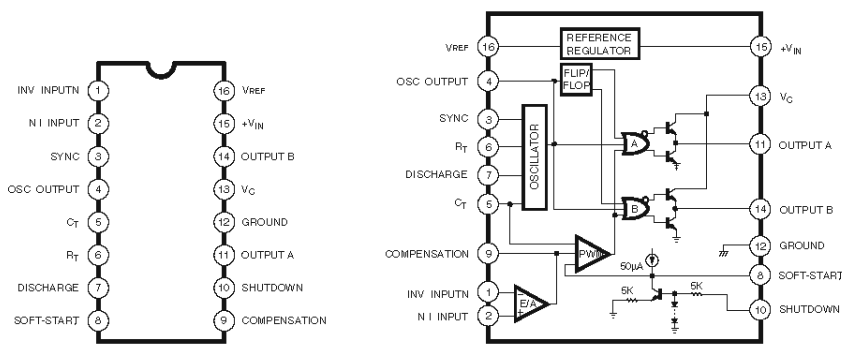
• **LB1423N (XZ348A00)**

LED Driver
MIX: IC412-IC414



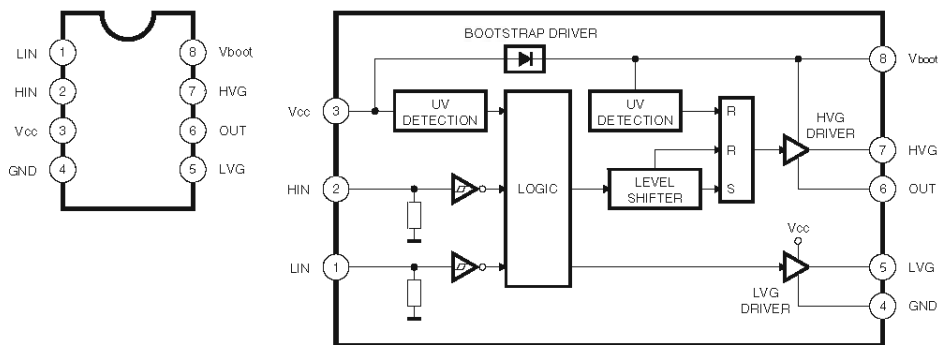
• **SG3525AN (X2383A00)**

Regulating Pulse Width Modulator
PS: IC401



• **L6385 (X5908A00)**

Driver
PS: IC402



■ CIRCUIT BOARDS (シート基板図)

• Contents (目次)

SPACER Circuit Board (X6384D0)	28
SW Circuit Board (X5967B0).....	28
DSP Circuit Board (X5022C0).....	29
JACK Circuit Board (X5969B0)	30
MIX Circuit Board (X5967B0).....	36
OUT Circuit Board (X6384D0).....	42
PA Circuit Board (X5971C0)	44
PS Circuit Board (X5978C0)	48

Note: See parts list for details of circuit board component parts.

注：シートの部品詳細はパーツリストをご参照ください。

• SPACER Circuit Board



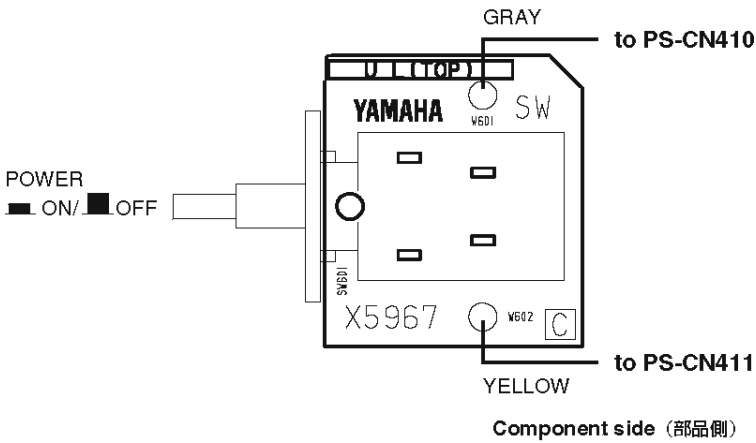
Component side (部品側)



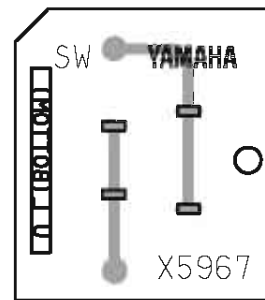
Pattern side (パターン側)

2NA-WE83470

• SW Circuit Board



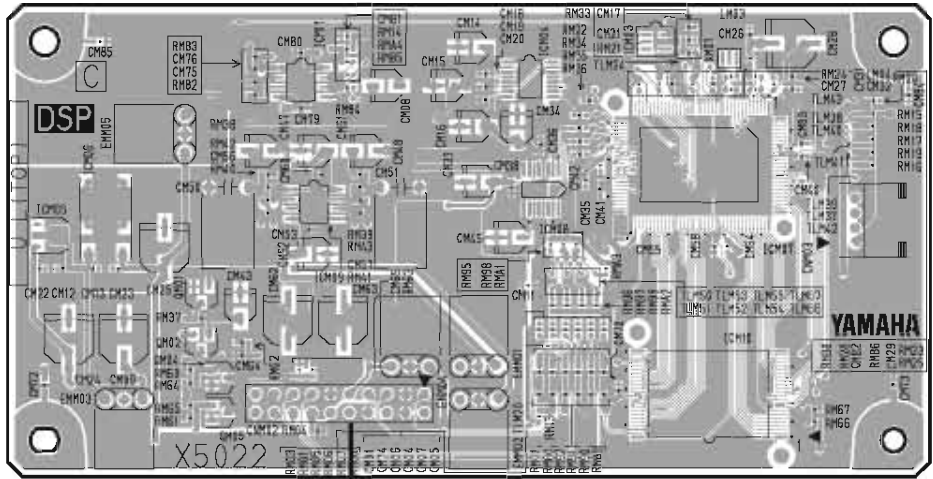
Component side (部品側)



Pattern side (パターン側)

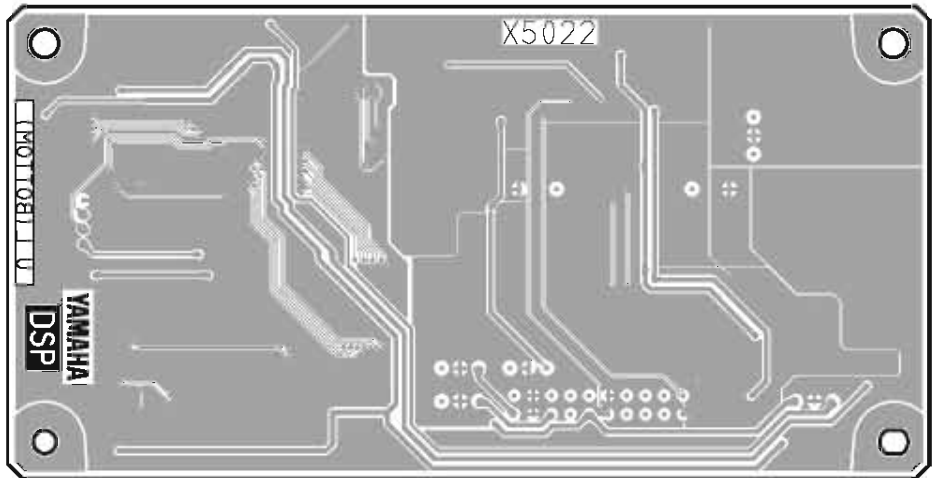
2NA-WD94320

• DSP Circuit Board



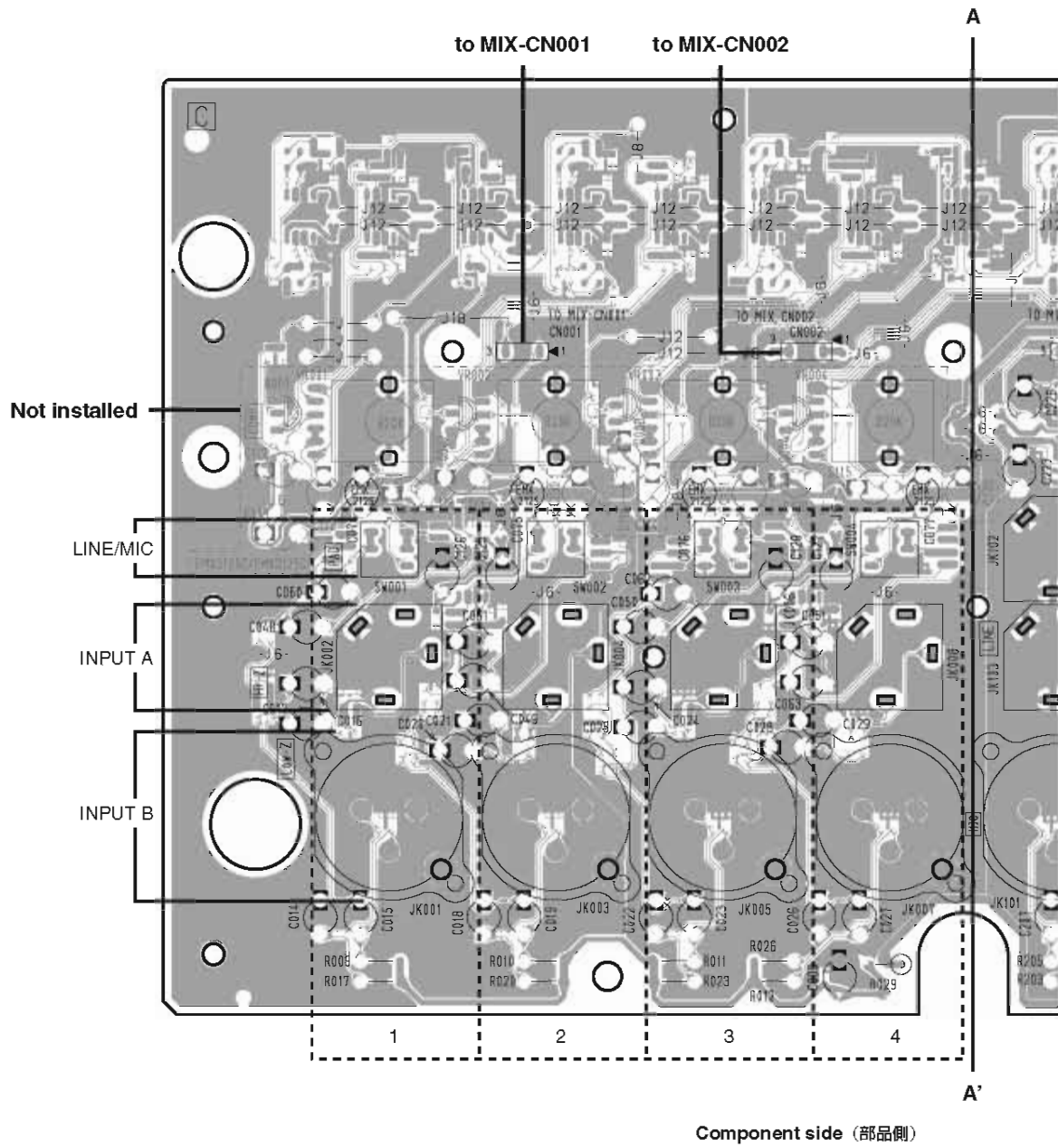
to MIX-CN301

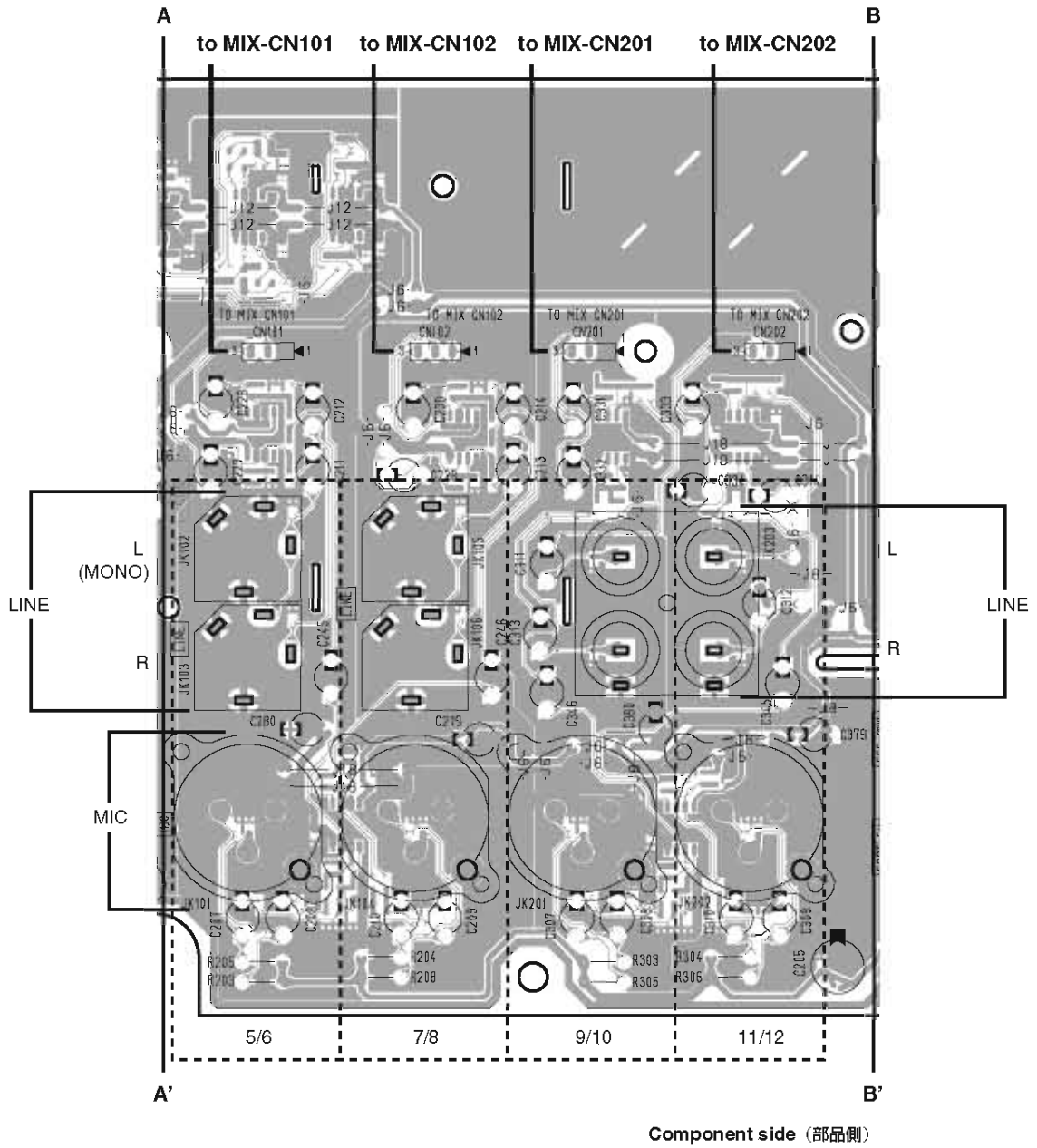
Component side (部品側)

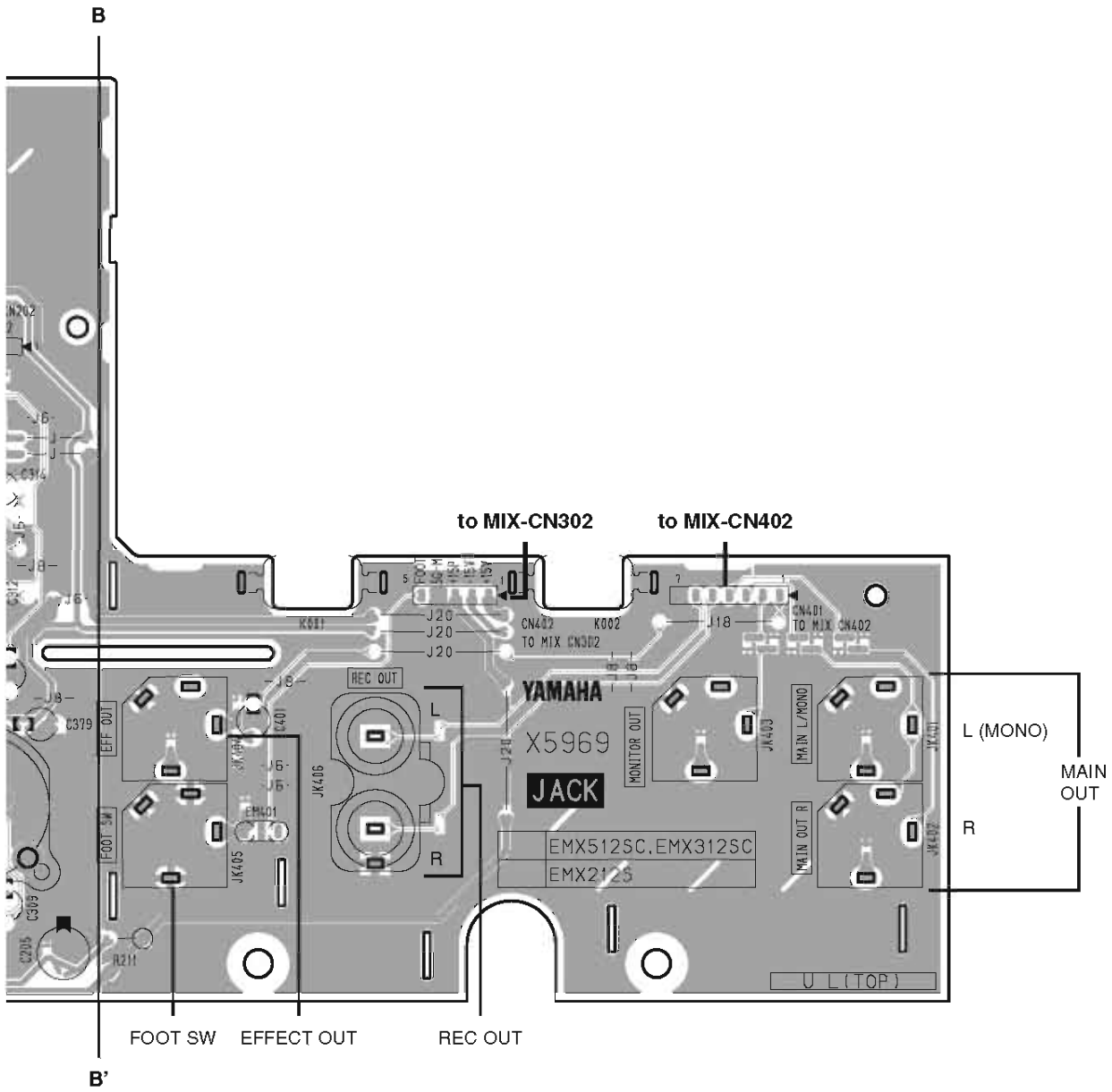


Pattern side (パターン側)

• JACK Circuit Board

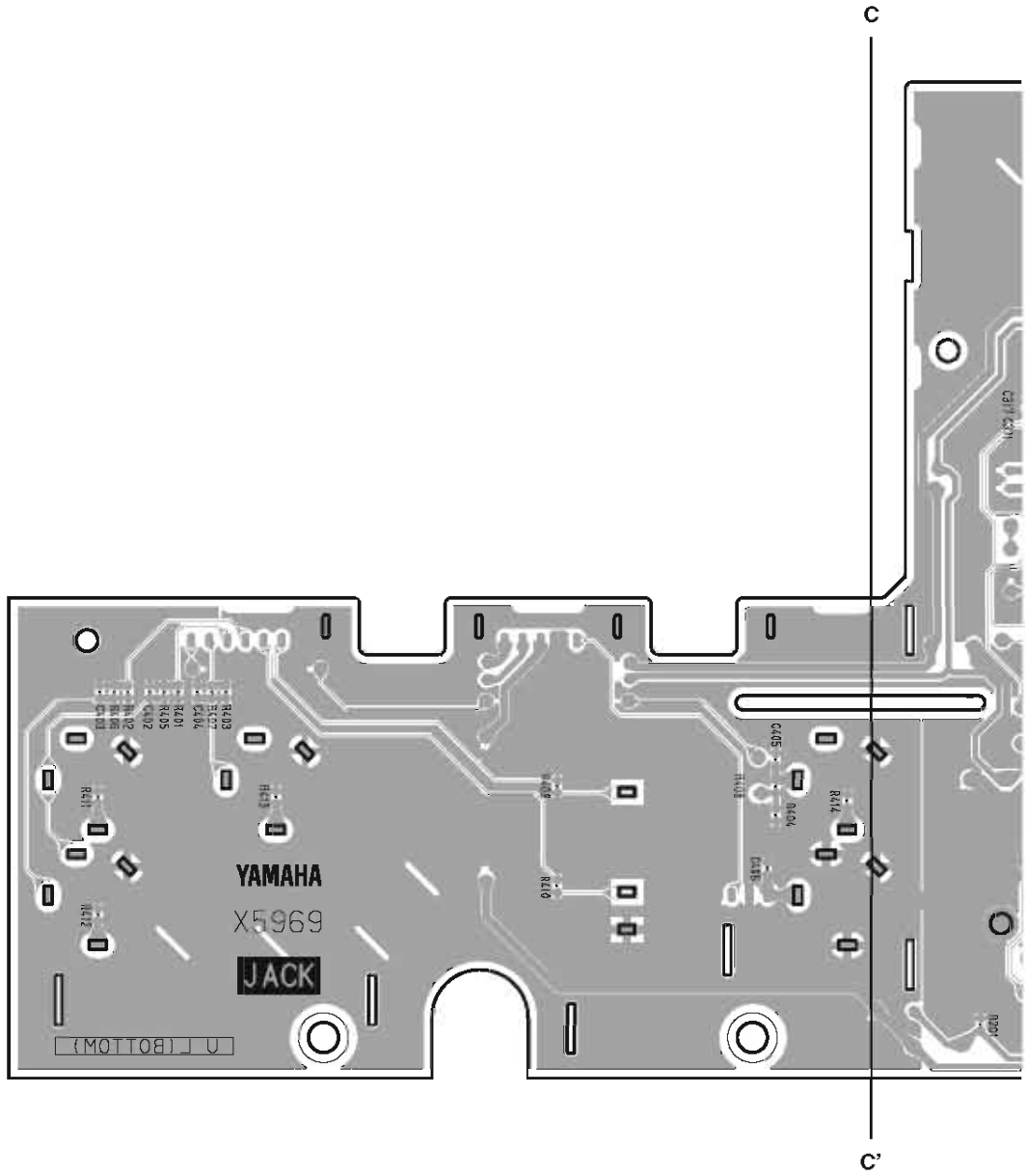




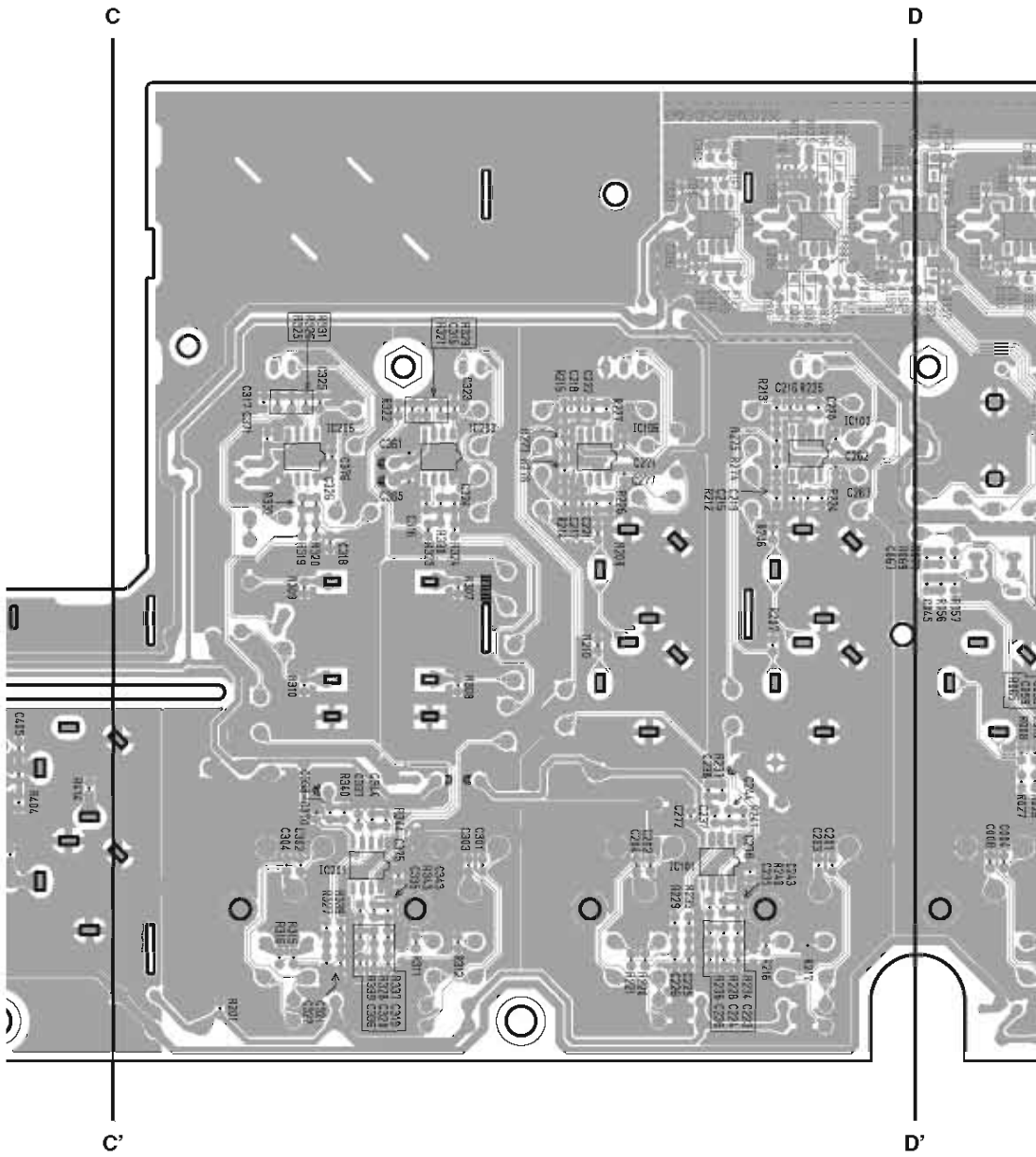


Component side (部品側)

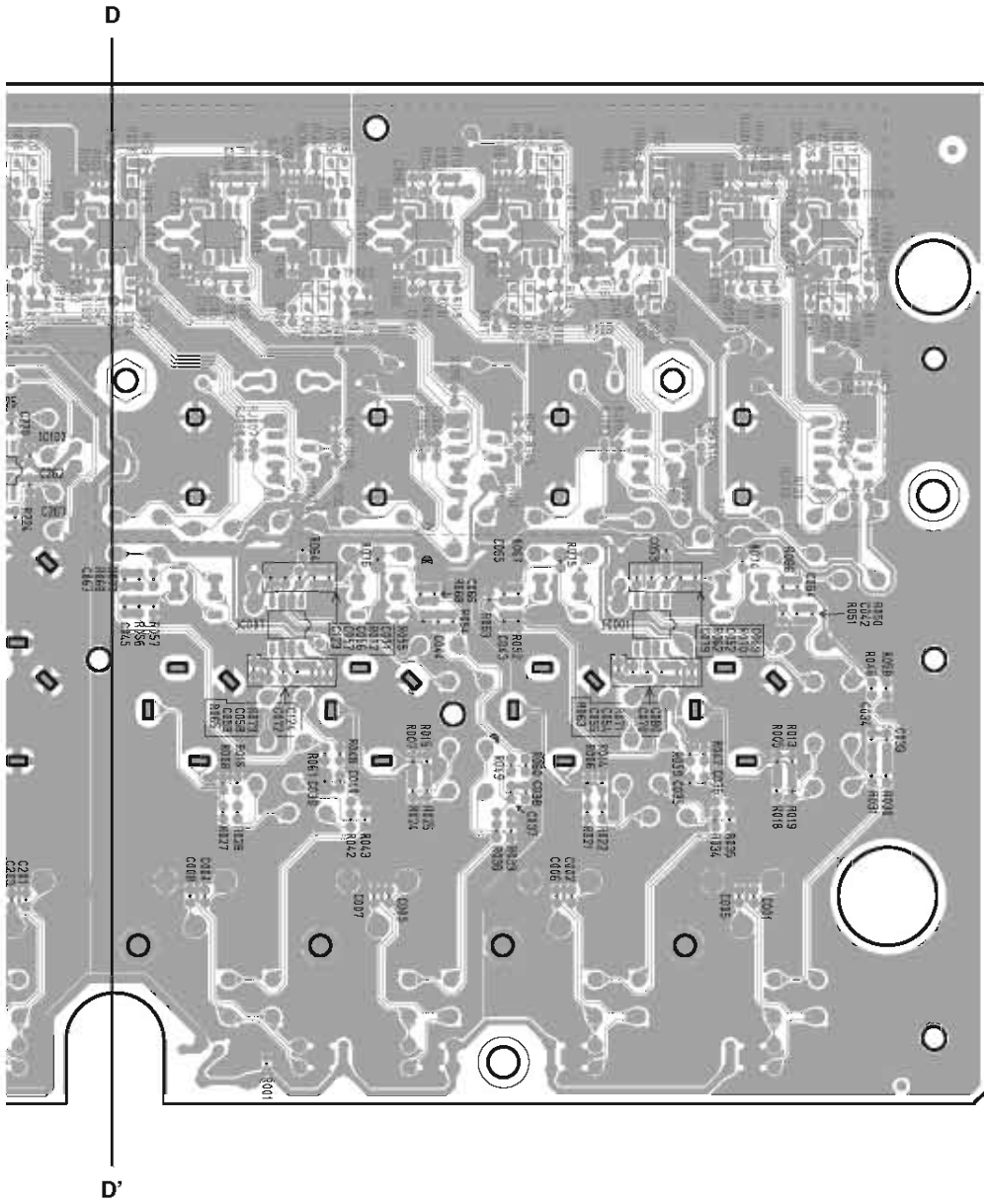
• JACK Circuit Board



Pattern side (パターン側)

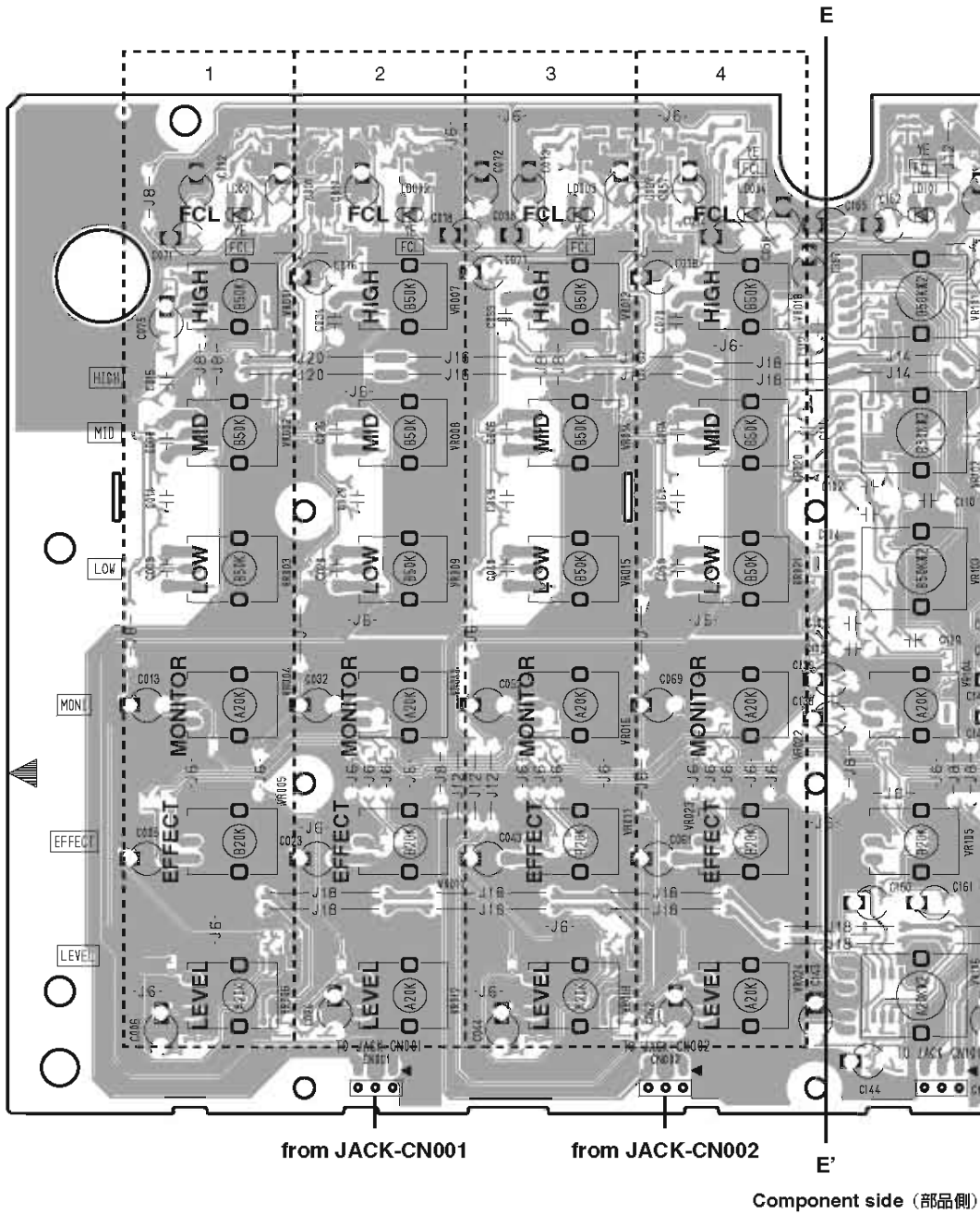


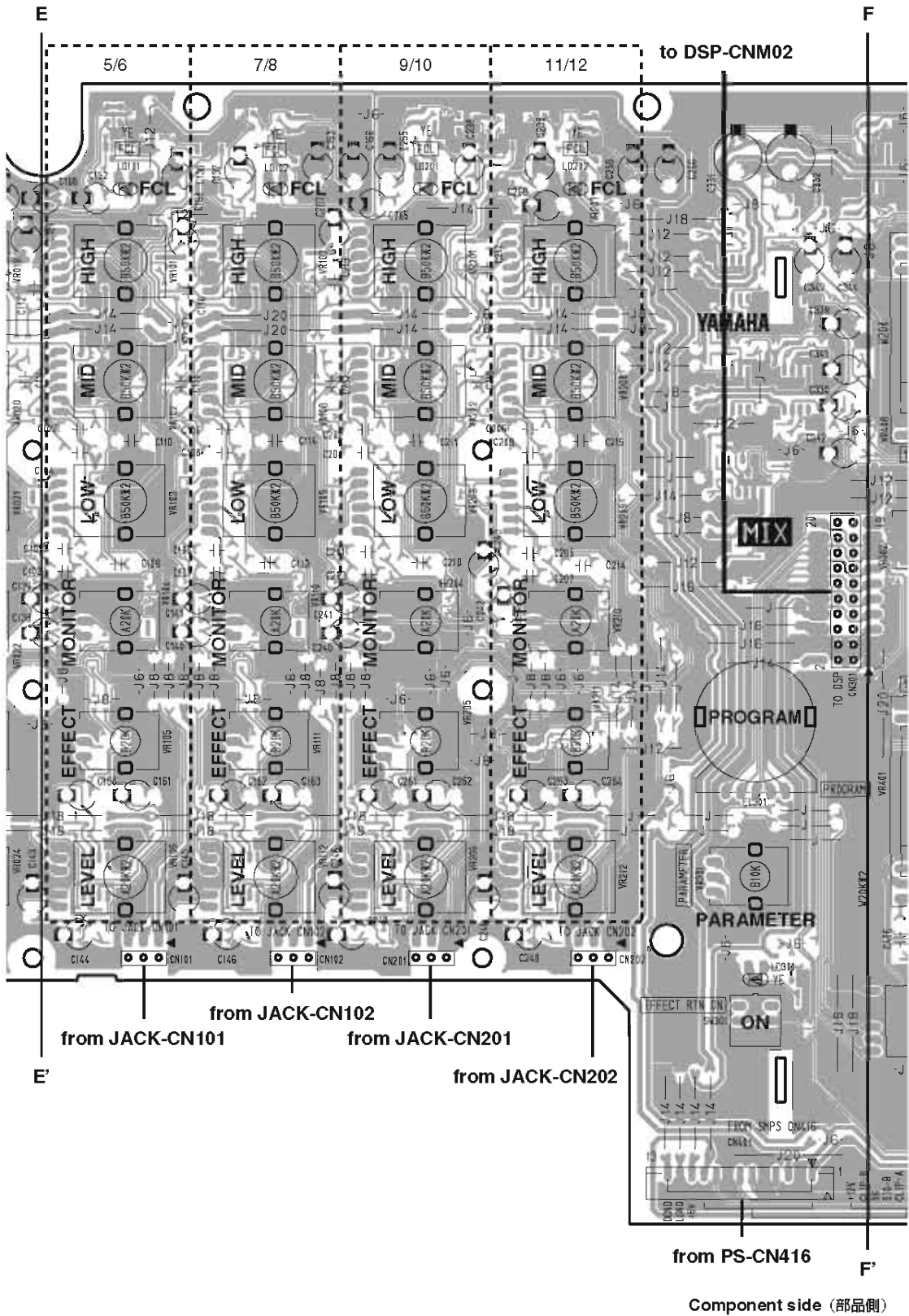
Pattern side (パターン側)



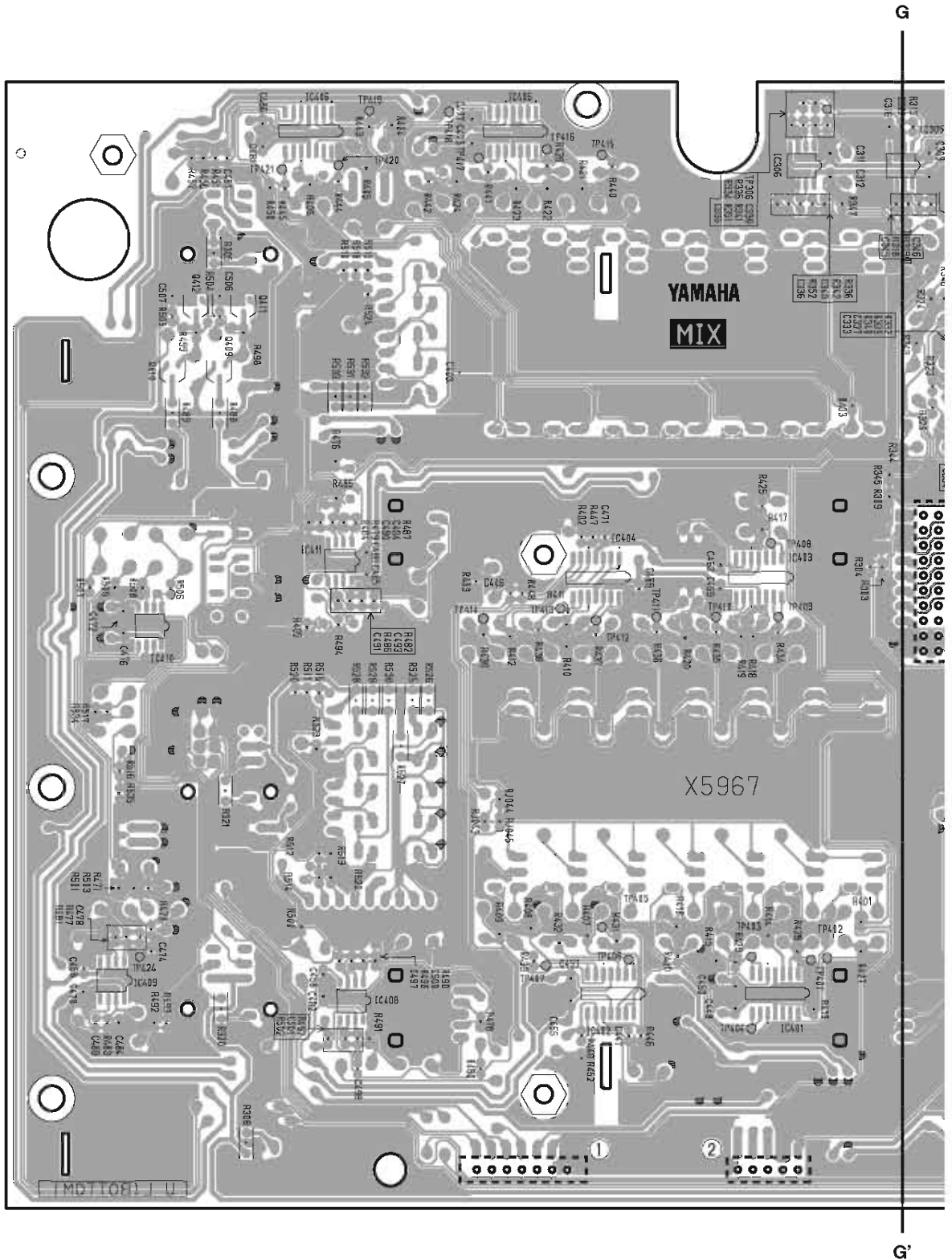
Pattern side (パターン側)

• MIX Circuit Board



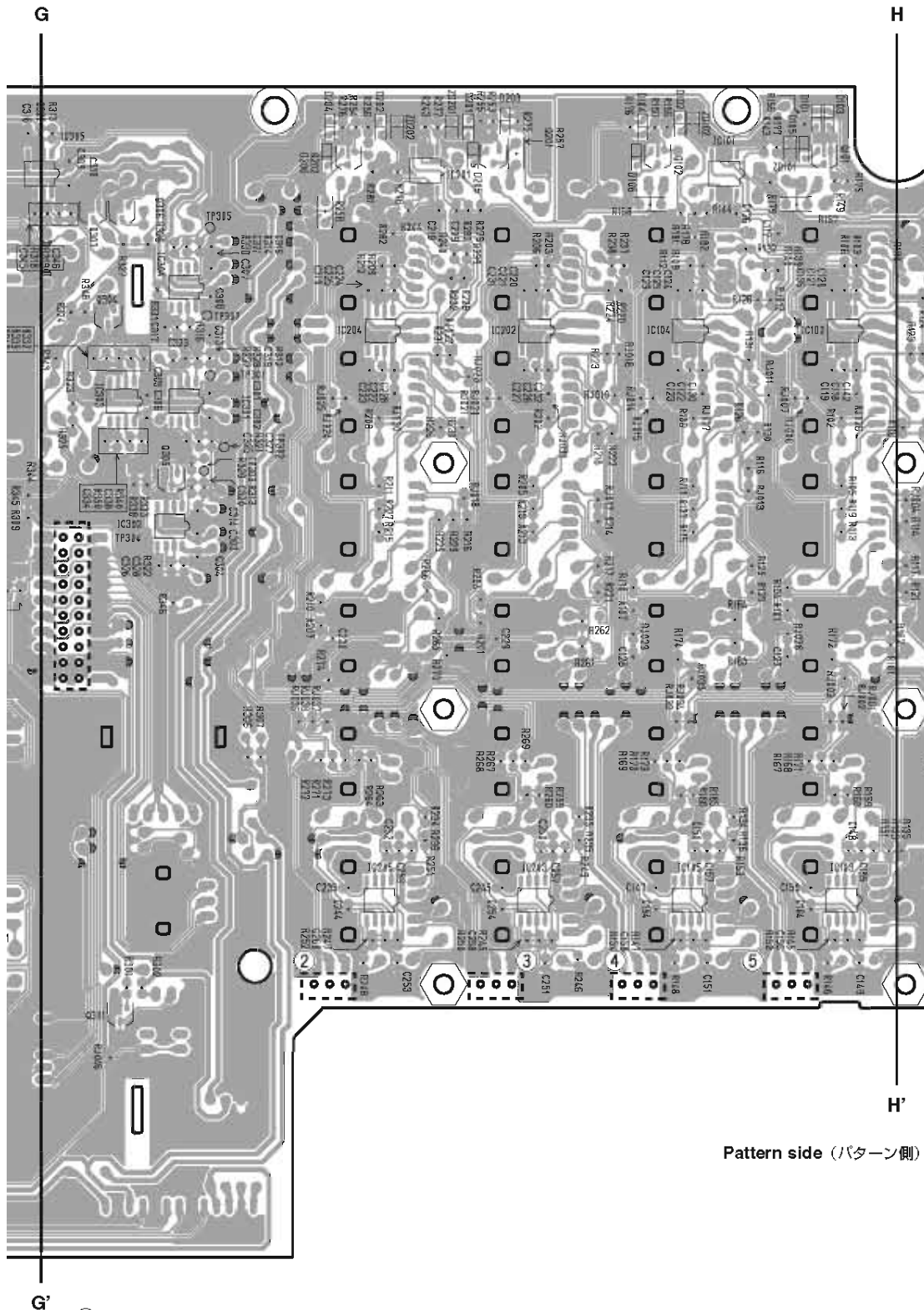


• MIX Circuit Board



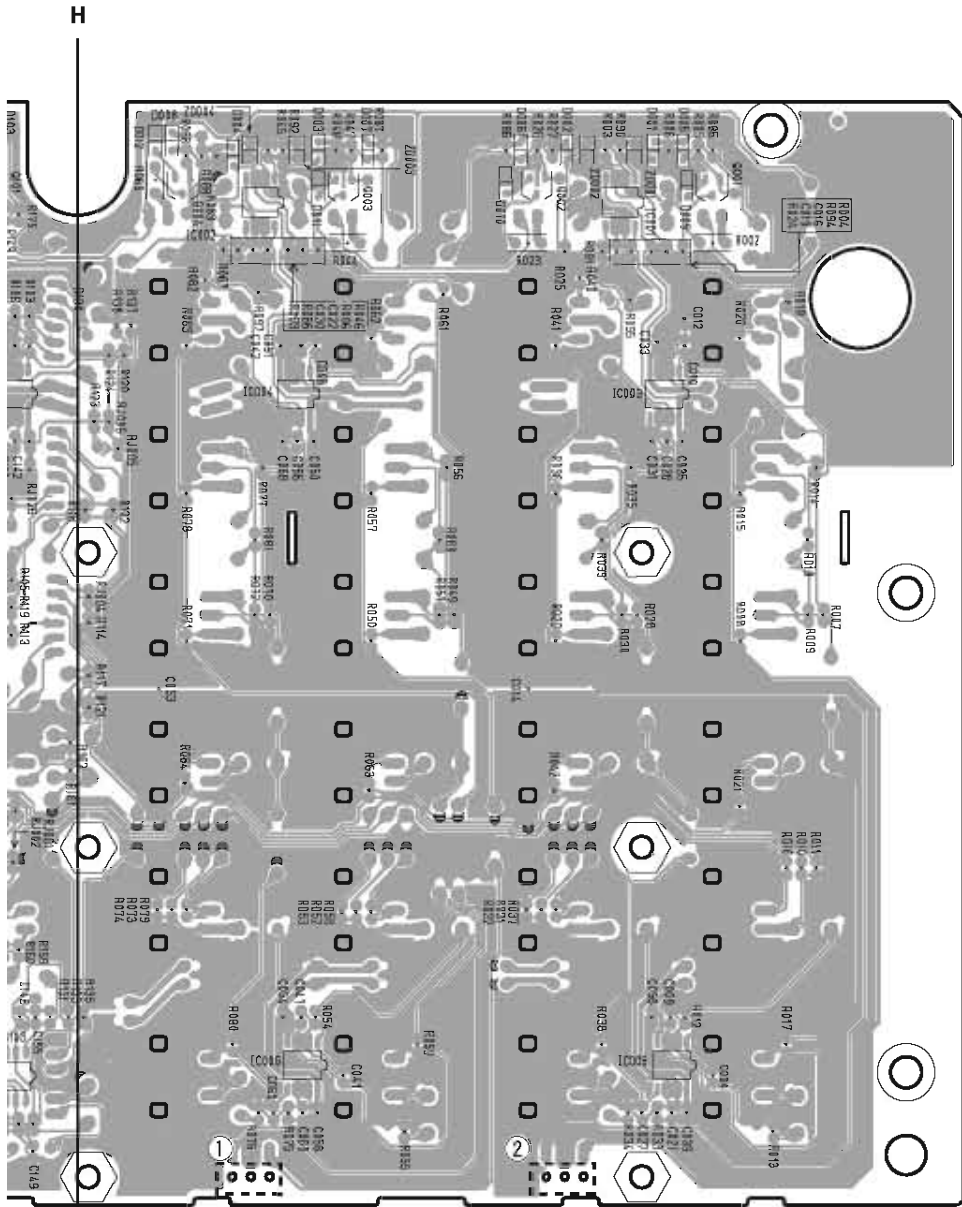
- ① Insert pins from JACK-CN401
- ② Insert pins from JACK-CN402

Pattern side (パターン側)



Pattern side (パターン側)

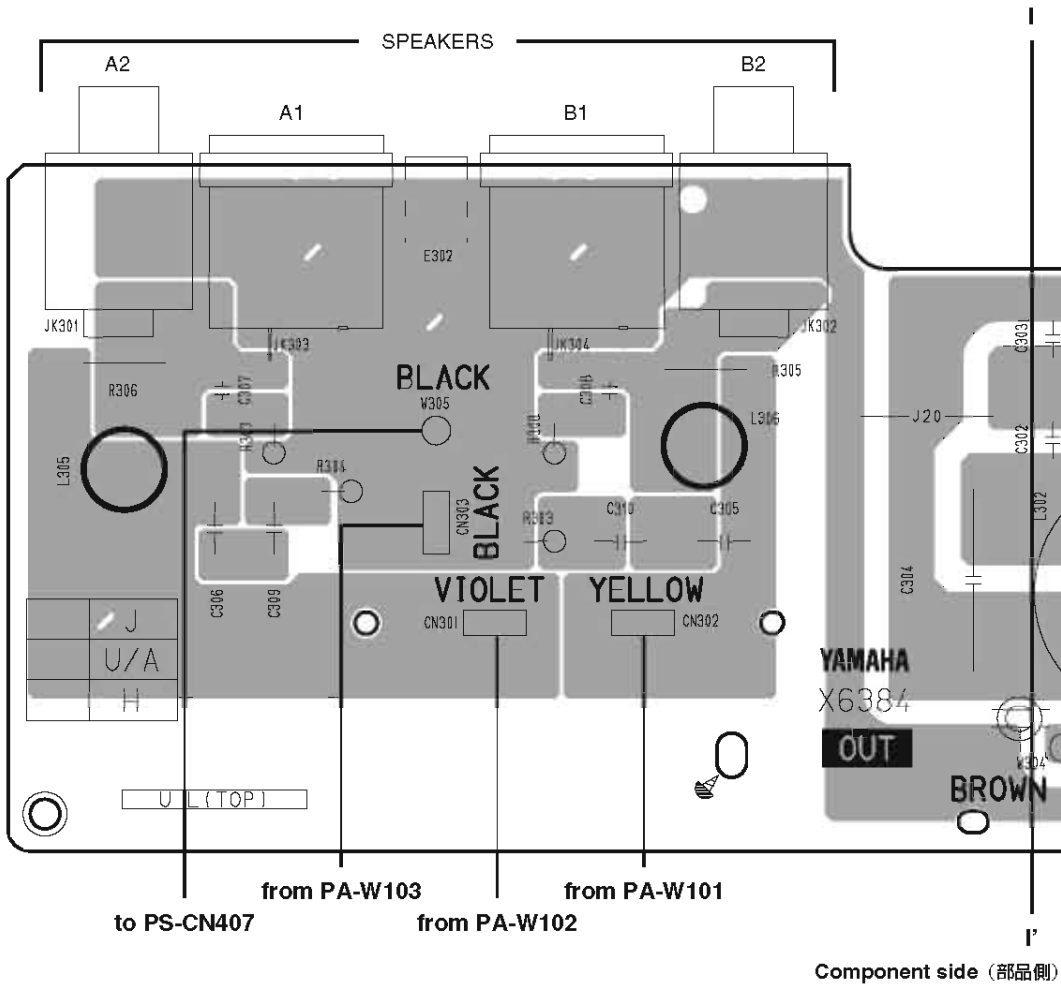
- ① Insert pins from DSP-CNM02
- ② Insert pins from JACK-CN202
- ③ Insert pins from JACK-CN201
- ④ Insert pins from JACK-CN102
- ⑤ Insert pins from JACK-CN101

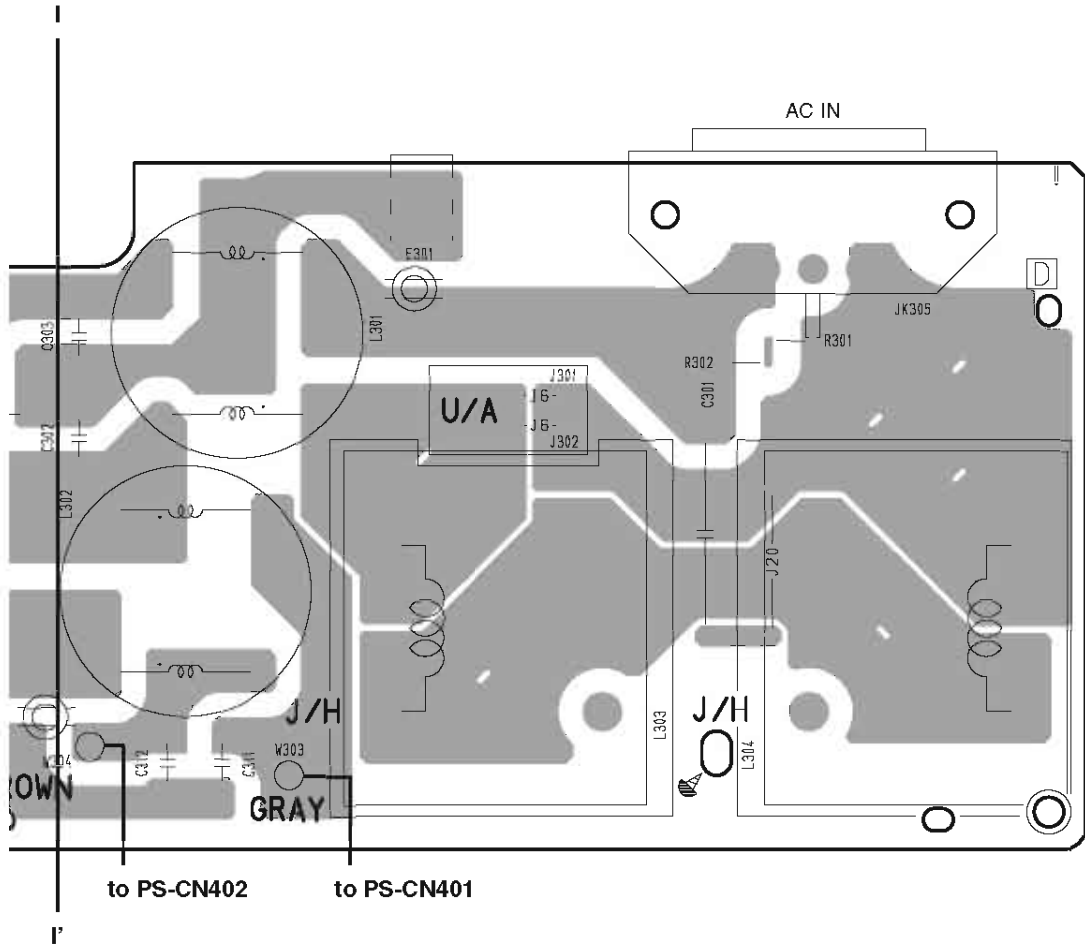


- ① Insert pins from JACK-CN002
- ② Insert pins from JACK-CN001

Pattern side (パターン側)

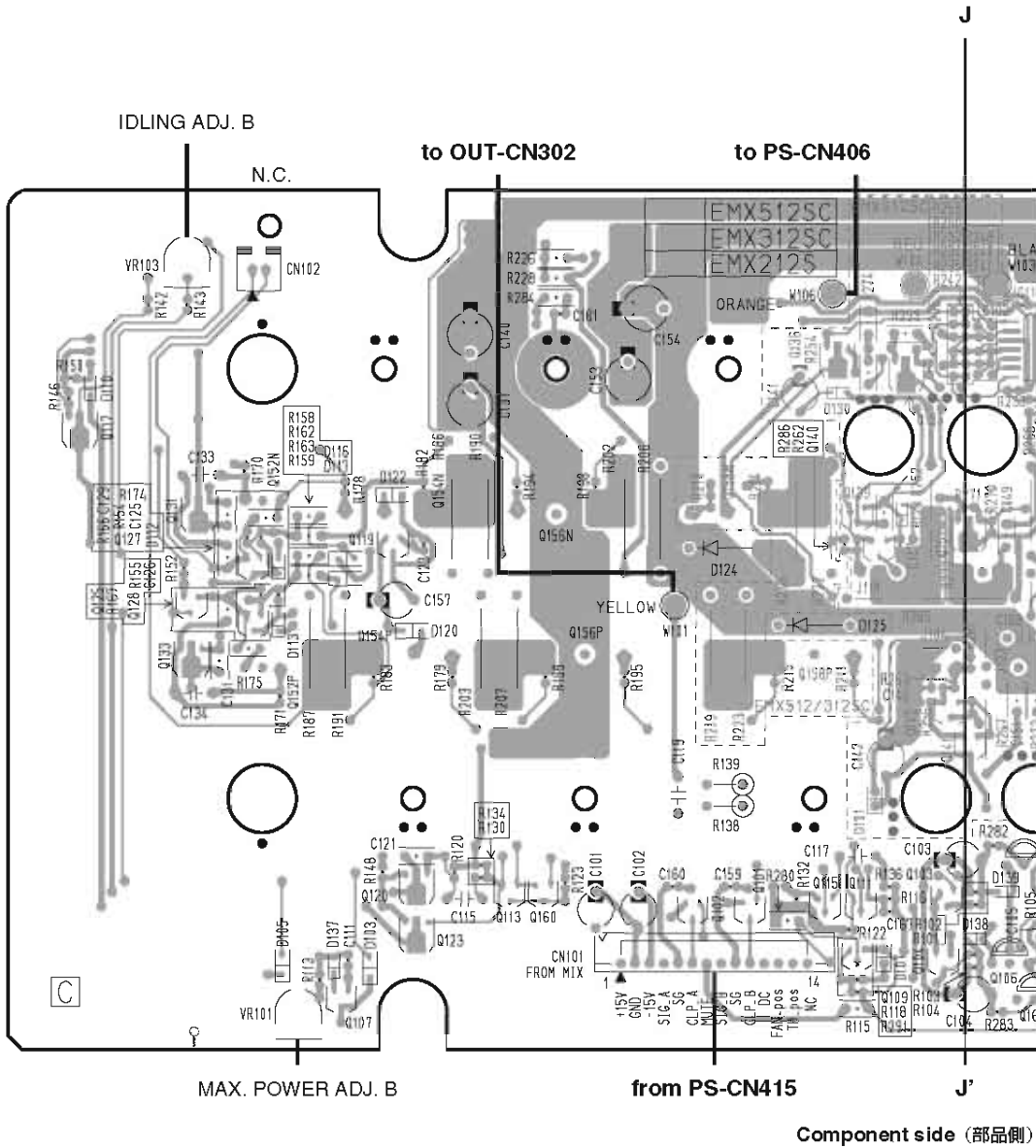
• OUT Circuit Board

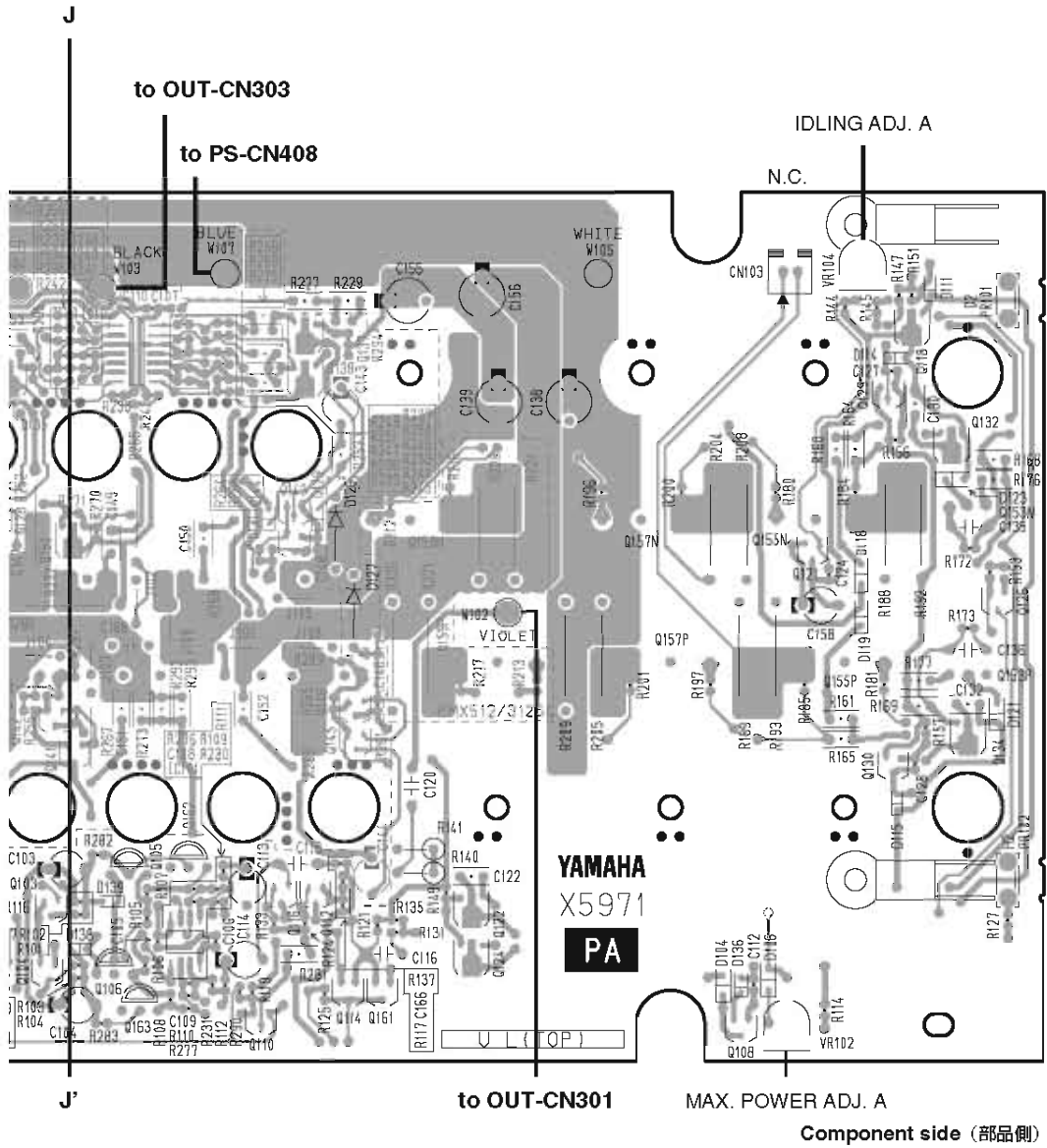




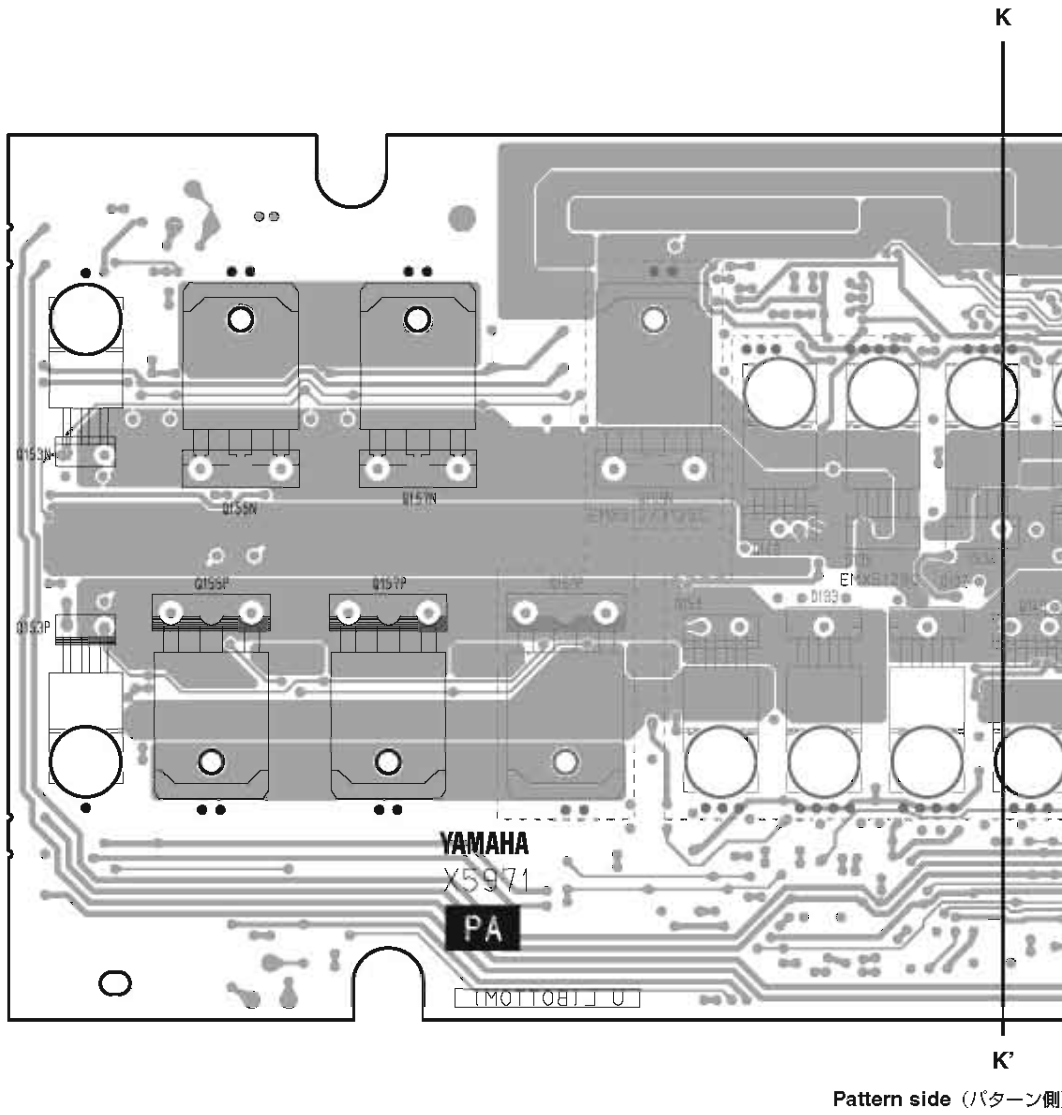
Component side (部品側)

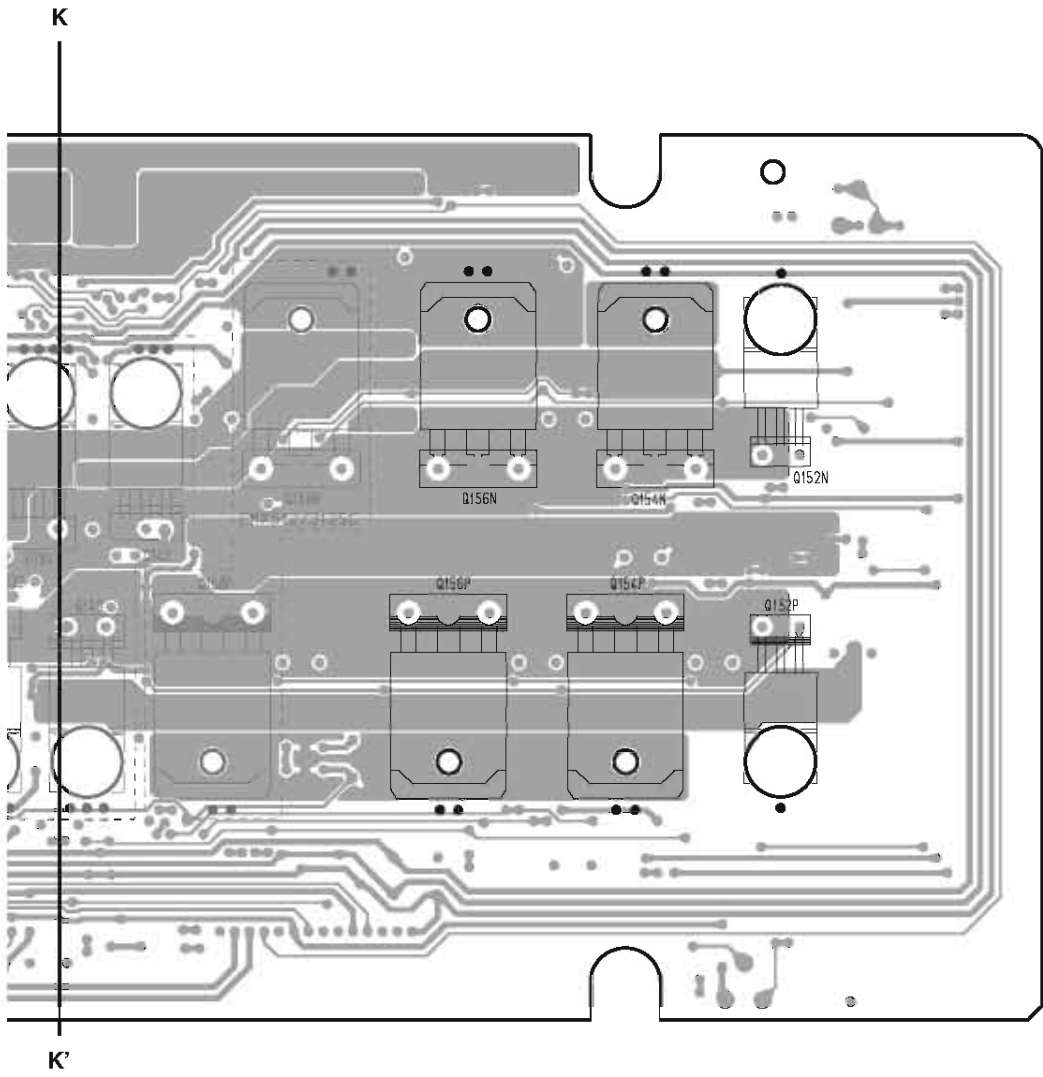
• PA Circuit Board





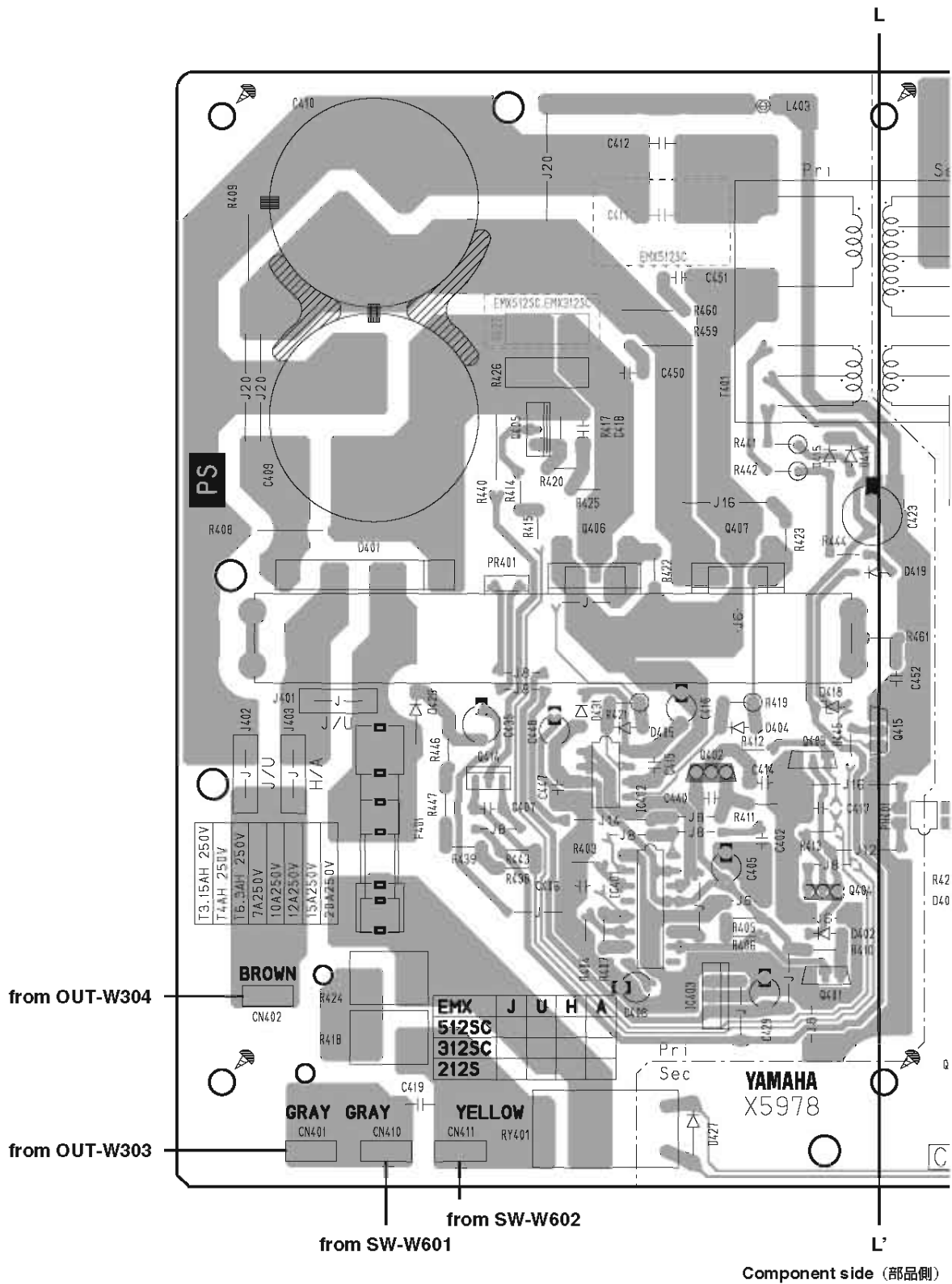
• PA Circuit Board

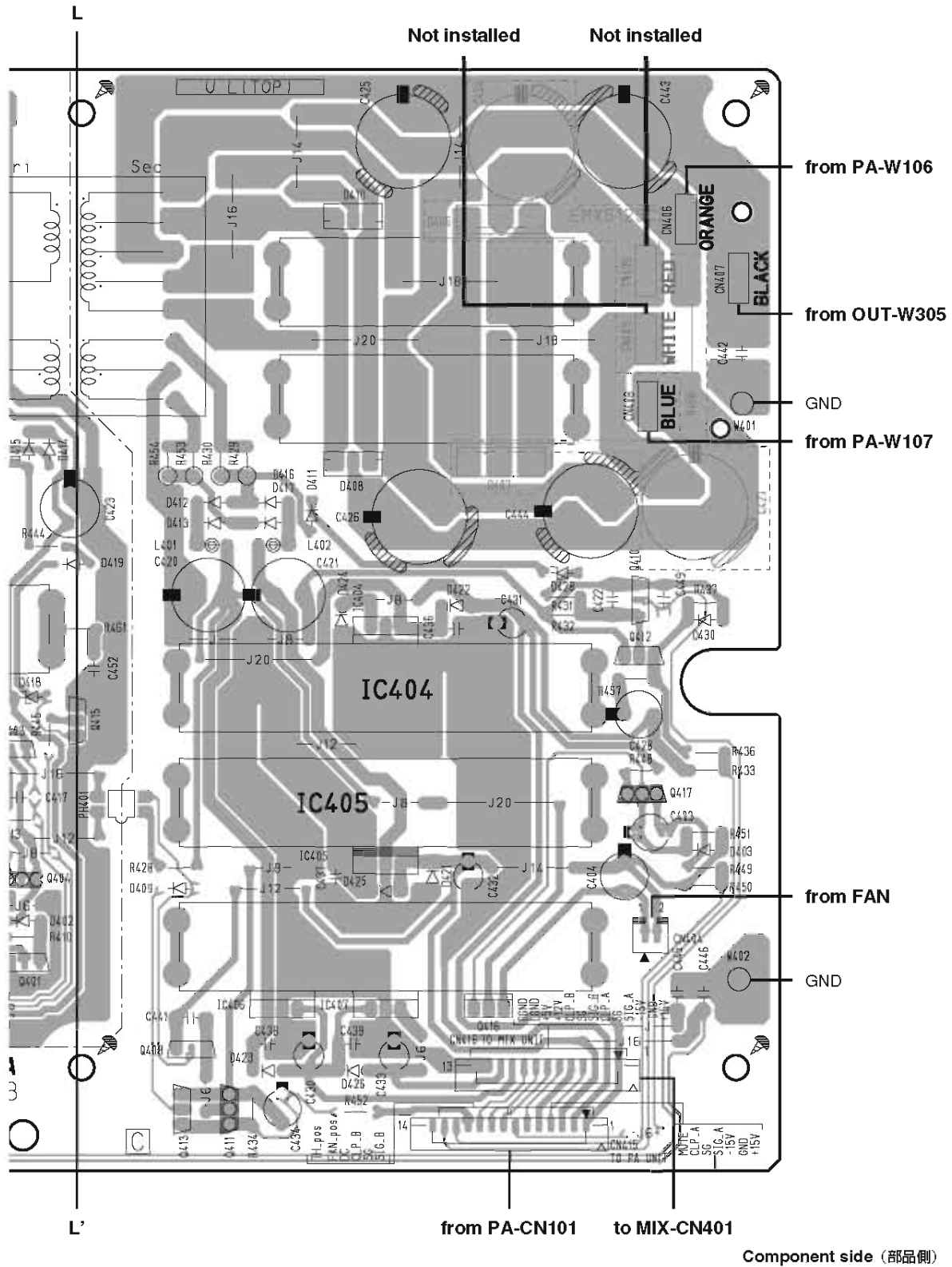




Pattern side (パターン側)

• PS Circuit Board





■ INSPECTION

1. Measurement Conditions

1-1 Environment

- Normal temperature: 5 to 40 degree
- Normal humidity: 30 to 90 %

1-2 Power Source

The voltage is within $\pm 10\%$

- U, V: 120 V
- H, W: 230 V
- B: 230 V
- A: 240 V
- K: 230 V
- O: 230 V

2. Mixer Check

2-1 Preparation

- The load resistances for each output terminals are as follows:
10 k Ω (Unbalanced)
- Don't attach load resistance to SPEAKERS terminals.
- Unless otherwise specified, the controls should be set as follows:
 - CH INPUT (1-4)

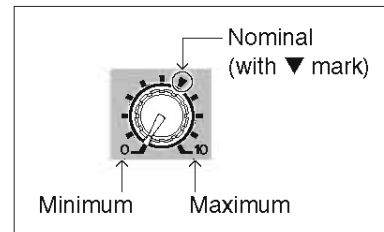
LEVEL control:	Maximum (10) for measured channel only
LINE/MIC switch:	MIC
EFFECT control:	Maximum (10)
MONITOR control:	Maximum (10)
Equalizer gain control (HIGH, MID, LOW):	Center (0)
 - CH INPUT (5/6-11/12)

LEVEL control:	Maximum (10) for measured channel only
EFFECT control:	Maximum (10)
MONITOR control:	Maximum (10)
Equalizer gain control (HIGH, MID, LOW):	Center (0)
 - DIGITAL EFFECT

PROGRAM selector:	1 (REVERB HALL 1)
PARAMETER control:	MIN
DIGITAL EFFECT ON switch:	OFF
 - MAIN (STEREO)

Graphic equalizer fader (7-band):	Center (0)
EFFECT RETURN control:	Maximum (10)
MASTER control:	Maximum (10)
 - MONITOR

Graphic equalizer fader (7-band):	Center (0)
EFFECT RETURN control:	Maximum (10)
MASTER control:	Maximum (10)
 - PHANTOM switch: OFF
 - POWER AMP switch: MAIN L/R
 - YS Processing switch: OFF
 - STAND-BY switch: OFF
- Unless otherwise specified, the input signal should be 1 kHz sine wave.
- The input signal impedance should be 150 Ω .



2-2 Indicator Inspection

Check the POWER indicator and DIGITAL EFFECT ON indicator light up when the unit is turned on. Also check that the fan is rotating at a low speed.

2-3 Gain

With controls set as specified in the section 2-1, check the output levels are in the range specified in the table 2-3-1 and 2-3-2.

Table 2-3-1. CH INPUT (1-4)

	Input	LINE/MIC switch	Input Level	MAIN OUT (L, R)	MONITOR OUT	EFFECT OUT	REC OUT (L, R)
①	INPUT A	MIC	-51 dBu	+4±2 dBu			
		LINE	-21 dBu	+4±2 dBu			
②	INPUT B	MIC	-61 dBu	+4±2 dBu	+4±2 dBu	-6±2 dBu	-8.5±2 dBu
		LINE	-31 dBu	+4±2 dBu			

Table 2-3-2. CH INPUT (5/6-11/12)

	Input	Input Level	MAIN OUT (L, R)	MONITOR OUT	EFFECT OUT
③	MIC	-61 dBu	+4±2 dBu	+7±2 dBu	-3±2 dBu
④	LINE L	-21 dBu	+4±2 dBu		
⑤	LINE R	-21 dBu	+4±2 dBu		

Notes:

- 0 dBu is referenced to 0.775 V
- The difference in the level between channels should be 2 dB or less.

2-4 Frequency Characteristic

In the signal route specified in the table 2-3-1 and 2-3-2, check the 20 Hz and 20 kHz frequency response of each output is within the range of 0+1/-3 dB compared with the 1 kHz (0 dB).

2-5 Channel Equalizer Characteristics

With controls set as specified in the section 2-1, move each equalizer gain control (HIGH, MID, LOW) respectively and check the output level obtained at MAIN OUT L for each frequency is within the range specified in the table 2-5-1 compared with the output level obtained when each equalizer is at center click position.

If the output level is out of range, change the frequency input within the range of ±20 % and check the variation width specified in the table 2-5-1 is obtained.

Table 2-5-1

Equalizer control	Equalizer Gain	Input Frequency	Variation Width
HIGH	Max.	10 kHz	+12±2 dB
	Min.		-12±2 dB
MID	Max.	2.5 kHz	+14±2 dB
	Min.		-14±2 dB
LOW	Max.	100 Hz	+12±2 dB
	Min.		-12±2 dB

2-6 Graphic Equalizer Characteristics

With controls set as specified in the section 2-1, set each graphic equalizer fader at maximum or minimum and check the output level obtained at MAIN OUT (L, R) and MONITOR OUT for each frequency is within the range specified in the table 2-6-1 compared with the output level obtained when each graphic equalizer fader is at center click position.

If the output level is out of range, change the frequency input within the range of ±20 % and check the variation width specified in the table 2-6-1 is obtained.

Table 2-6-1

		125	250	500	1k	2k	4k	8k
Input Frequency		125 Hz	250 Hz	500 Hz	1 kHz	2 kHz	4 kHz	8 kHz
Variation Width	Max.	+12±2 dB						
	Min.	-12±2 dB						

2-7 FCL indicator light-up level

With controls set as specified in the section 2-1, check the FCL indicator lights up when the 1 kHz, -73 dBu signal is input to the input terminal (INPUT B, MIC) of channels 1-11/12. Also check the FCL indicator turns off when the -85 dBu signal is input.

2-8 Lighting Check of LEVEL meters

Check the “0” indicator of meter lights up when the output level at MAIN OUT (L, R) is +4±2 dBu. Move the MAIN MASTER control and check the indicators light up in order from “-10” to “+6”.

2-9 Distortion Factor

In the signal route ① to ⑤ specified in the table 2-3-1 and 2-3-2, set each control of input channels and the MASTER controls to the nominal position. Then check the distortion is less than 0.5 % when the output signal level is +14 dBu.

Note:

- Distortion should be measured with a 30-kHz low pass filter.

2-10 Maximum Output

In the state specified in the section 2-9, check the distortion factor is less than 1 % when the output level is +20 dBu at MAIN OUT (L, R) and MONITOR OUT. Also check the distortion factor is less than 1 % when the output level is +16 dBu at EFFECT OUT.

2-11 Equivalent Input Noise

With controls set as specified in the section 2-1, connect pin 2 (hot) and pin 3 (cold) of the INPUT B or MIC terminal with 150 Ω and check the noise level obtained at MAIN OUT L is -49 dBu or less.

If the noise level exceeds -49 dBu, calculate the input converted noise level and check it is -114 dBu or less.

Notes:

- Set the LEVEL controls of input channels except measured one to minimum.
- Noise should be measured with a DIN AUDIO filter.
- The input converted noise level is obtained by subtracting the channel gain from the noise level.

2-12 Residual Noise

With controls set as specified in the section 2-1, set the LEVEL controls of all input channels to minimum. Then check the noise level is less than the values in the table 2-12-1 when the MASTER control is set to maximum or minimum.

Table 2-12-1

MASTER control	MAIN OUT (L, R)	MONITOR OUT	EFFECT OUT
Max.	-75 dBu	-67 dBu	-80 dBu
Min.	-90 dBu	-90 dBu	

Note:

- Noise should be measured with a DIN AUDIO filter.

2-13 PHANTOM

Connect a 2.7 kΩ load resistance between pin 1 and pin 2 of the INPUT B or MIC terminal and short-circuit pin 2 and pin 3. Then turn on the PHANTOM switch and check the PHANTOM indicator lights up and the voltage between pin 1 and pin 2 is within +10±1.5 V.

2-14 DIGITAL EFFECT

Turn on the DIGITAL EFFECT ON switch and input the -51 dBu signal to INPUT B terminal of channel 1. Then check the output obtained is -10 dBu or more with the condition in the table 2-14-1.

Table 2-14-1

Output	LINE/MIC switch	Channel 1 LEVEL control	Channel 1 EFFECT control	PROGRAM selector	PARAMETER control
MONITOR OUT	MIC	Max.	Max.	1	Min.

Next, input no signal and set the LEVEL control and EFFECT control of channel 1 to minimum. Then check the noise level at MONITOR OUT is -50 dBu or less. Also feed music source and check effect of the DIGITAL EFFECT at MAIN OUT (L, R) and MONITOR OUT by listening.

2-15 STAND-BY

With controls set as specified in the section 2-1, input signal from INPUT B of channel 1 and set each output level of MAIN OUT (L, R), MONITOR OUT and EFFECT OUT to +14 dBu. Then turn on the STAND-BY switch and check the output level is -46 dBu or less and the STAND-BY indicator lights up.

Note:

- Set the LEVEL control of channels 2 to 11/12 to minimum.

3. Power Amplifier Check

3-1 Preparation

- Unless otherwise specified, the controls and inputs should be set as follows:
 - Input terminal: LINE R (channel 5/6)
 - POWER AMP switch: MAIN (L+R)/MON
 - Output terminal: SPEAKERS A2 and SPEAKERS B2
 - Load resistance: 4 Ω±1 %
 - MAIN MASTR control: Maximum (10)
 - MONITOR MASTER control: Maximum (10)
 - LEVEL control (channel 5/6): Maximum (10)
 - MONITOR control (channel 5/6): Maximum (10)
 - LEVEL control (channels 1-4, 7/8-11/12): Minimum (0)
 - Other controls (channels 1-4, 7/8-11/12): Minimum
- Unless otherwise specified, both channels set for drive.
- Unless otherwise specified, load resistance of SPEAKERS is connected only when inspecting a power amplifier.
- Unless otherwise specified, the input signal should be 1 kHz sine wave.
- The input signal impedance should be 150 Ω.
- Use the load resistance with sufficient capacity.

3-2 Gain

Check the output voltage is within the range specified in the table 3-2-1.

Table 3-2-1

LINE R	SPEAKERS (A2, B2)
-21 dBu	+22.0±2 dBu

Note:

- The difference in the level between each output terminals should be 2 dB or less.

3-3 Output Noise Level

Set the LEVEL control, MONITOR control of channel 5/6, MONITOR MASTER control, and MAIN MASTER control to minimum. Then check the noise level at the output terminal is less than the value specified in the table 3-3-1.

Table 3-3-1

SPEAKERS (A2, B2)
-65 dBu

Note:

- Noise should be measured with a DIN AUDIO filter.

3-4 Protection Circuit for DC Fault

Disconnect load resistance from the output terminal and set the LOW equalizer gain control of channel 5/6 to maximum and the POWER AMP switch to MAIN L/R. Then check the POWER indicator does not turn off when inputting the 1 Hz, -5 dBu signal from LINE L terminal of channel 5/6.

3-5 Frequency Response

<YS Processing switch: OFF>

Input the 20 Hz, 1 kHz and 20 kHz, -27 dBu signal and check the output terminal level is +1±3 dB compared with the 1 kHz.

<YS Processing switch: ON>

Input the 70 Hz, -27 dBu signal and check the output terminal level is $+6.5 \pm 2$ dB compared with the 1 kHz when the YS Processing switch is set to OFF. Also check the YS Processing indicator lights up.

3-6 VI Limiter and Compressor

Connect 1 Ω ($\pm 5\%$) load resistance to the output terminal and input the 1 kHz, -19 dBu signal. Then check the output terminal voltage is within the range specified in the table 3-6-1 and the distortion is less than 8 %. Also check the LIMITER indicator lights up.

Table 3-6-1

SPEAKERS (A2, B2)
20.5 \pm 2 dBu

Notes:

- Each channel should be inspected separately.
- **Finish this inspection within 30 seconds.**

3-7 Power Consumption

Input no signal and set the MONITOR MASTER control and MAIN MASTER control to minimum. Then check the primary electrical power is within the range specified in the table 3-7-1.

Table 3-7-1

Power Consumption
35 \pm 10 W

3-8 Stability

3-8-1 Preparation

- Disconnect the load resistance from the output terminal.
- Input the 1 kHz, -10 dBu square wave. (effective value)
- Adjust the MONITOR MASTER control so that the output terminal voltage of the SPEAKERS B2 terminal is within the range specified in the table 3-8-1.
- Adjust the MAIN MASTER control so that the output terminal voltage of the SPEAKERS A2 terminal is within the range specified in the table 3-8-1.
- Do not touch the MONITOR MASTER control and MAIN MASTER control until this inspection is finished.

Table 3-8-1

SPEAKERS (A2, B2)
+20 \pm 2 dBu (effective value)

3-8-2 Inspection

Connect only the polyester film capacitor with capacity of 0.01 μ F to the output terminal. Then check the overshoot and the ringing is as follows:

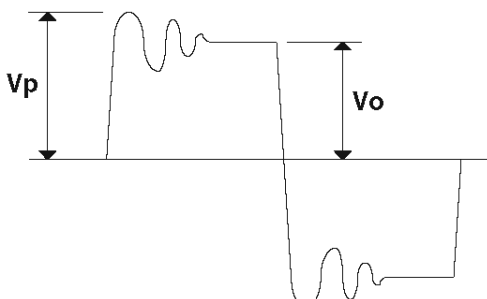


Fig. 3-8-2

- Overshoot: $V_p/V_o < 2.5$
- Ringing: within 7 waves and no oscillation

3-9 Maximum Output Power

3-9-1 Preparation

- Input the 1 kHz, -10 dBu signal.
- Adjust the MONITOR MASTER control so that the output terminal voltage of the SPEAKERS B2 terminal is +22±0.1 dBu.
- Adjust the MAIN MASTER control so that the output terminal voltage of the SPEAKERS A2 terminal is +22±0.1 dBu.
- Do not touch the MONITOR MASTER control and MAIN MASTER control until this inspection is finished.

3-9-2 Inspection

Input the 1 kHz signal and check the distortion is less than 0.5 % when the output power specified in the table 3-9-2 is obtained.

Table 3-9-2

SPEAKERS (A2, B2)
200W+200W

Notes:

- Distortion should be measured with a 22-kHz low pass filter.
- **Finish this inspection within 30 seconds.**

3-10 Factory Settings

- Equalizer gain control (HIGH, MID, LOW): Center (0)
- Graphic equalizer fader (7-band): Center (0)
- POWER AMP switch: MAIN L/R
- YS Processing switch: ON
- PROGRAM selector: 1 (REVERB HALL 1)
- Other VR controls: Minimum
- Other lock-push switches: OFF

■ 検査

1. 測定条件

1-1 環境

- 常温：5～40℃
- 常湿：30～90%

1-2 電源電圧

電源電圧（AC100V）の±10%で測定すること。

2. ミキサー部の検査

2-1 準備

- 各出力端子の負荷抵抗は下記に従うこと。
10kΩ（アンバランス）
- SPEAKERS 端子には負荷抵抗をつけないこと。
- 特に指定のない場合、ツマミ類は下記のように設定すること。
 - チャンネル入力（1～4）

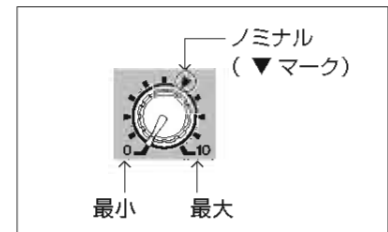
LEVEL コントロール：	最大（10）ただし測定チャンネルのみ
LINE/MIC スイッチ：	MIC
EFFECT コントロール：	最大（10）
MONITOR コントロール：	最大（10）
EQ ゲインコントロール（HIGH、MID、LOW）：	センター（0）
 - チャンネル入力（5/6～11/12）

LEVEL コントロール：	最大（10）ただし測定チャンネルのみ
EFFECT コントロール：	最大（10）
MONITOR コントロール：	最大（10）
EQ ゲインコントロール（HIGH、MID、LOW）：	センター（0）
 - デジタルエフェクト

PROGRAM セレクター：	1（REVERB HALL 1）
PARAMETER コントロール：	MIN
DIGITAL EFFECT ON スイッチ：	OFF
 - MAIN（STEREO）

GEQ フェーダー（7バンド）：	センター（0）
EFFECT RETURN コントロール：	最大（10）
MASTER コントロール：	最大（10）
 - MONITOR

GEQ フェーダー（7バンド）：	センター（0）
EFFECT RETURN コントロール：	最大（10）
MASTER コントロール：	最大（10）
 - PHANTOM スイッチ：
 OFF |
 - POWER AMP 切り替えスイッチ：
 MAIN L/R |
 - YS Processing スイッチ：
 OFF |
 - STAND-BY スイッチ：
 OFF |
- 特に指定のない場合、入力信号は 1kHz 正弦波とする。
- 信号源インピーダンスは 150Ω とする。



2-2 インジケータ検査

電源投入時に、POWER インジケータおよび DIGITAL EFFECT ON インジケータが点灯することを確認します。また、ファンが低速で回転していることを確認します。

2-3 利得

2-1 の項で指定された設定状態で、各出力端子に表 2-3-1 および 2-3-2 の範囲内の出力レベルが得られることを確認します。

表 2-3-1. チャンネル入力 (1 ~ 4)

	入力	LINE/MIC スイッチ	入力レベル	MAIN OUT (L, R)	MONITOR OUT	EFFECT OUT	REC OUT (L, R)
①	INPUT A	MIC	- 51dBu	+ 4 ± 2dBu			
		LINE	- 21dBu	+ 4 ± 2dBu			
②	INPUT B	MIC	- 61dBu	+ 4 ± 2dBu	+ 4 ± 2dBu	- 6 ± 2dBu	- 8.5 ± 2dBu
		LINE	- 31dBu	+ 4 ± 2dBu			

表 2-3-2. チャンネル入力 (5/6 ~ 11/12)

	入力	入力レベル	MAIN OUT (L, R)	MONITOR OUT	EFFECT OUT
③	MIC	- 61dBu	+ 4 ± 2dBu	+ 7 ± 2dBu	- 3 ± 2dBu
④	LINE L	- 21dBu	+ 4 ± 2dBu		
⑤	LINE R	- 21dBu	+ 4 ± 2dBu		

注意：

- 0dBu = 0.775V
- チャンネル間レベル差は 2dB 以下のこと。

2-4 周波数特性

表 2-3-1 および 2-3-2 の信号系統で、印加信号周波数を 20Hz、20kHz としたとき、各出力端子の出力レベルは 1kHz (0dB) を基準として 0 + 1/ - 3dB の範囲内にあることを確認します。

2-5 チャンネル EQ 変化特性

2-1 の項で指定された設定状態で、各 EQ ゲインコントロール (HIGH、MID、LOW) をそれぞれ動かしたとき、MAIN OUT L に得られる各周波数における出力レベルはセンタークリック位置の出力レベルを基準として表 2-5-1 の範囲内にあることを確認します。

範囲内の出力レベルが得られない場合は、印加周波数を指定周波数の ± 20% の範囲で変化させ、表 2-5-1 の範囲内の変化幅が得られることを確認します。

表 2-5-1

EQ コントロール	EQ ゲイン	印加周波数	変化幅
HIGH	最大	10kHz	+ 12 ± 2dB
	最小		- 12 ± 2dB
MID	最大	2.5kHz	+ 14 ± 2dB
	最小		- 14 ± 2dB
LOW	最大	100Hz	+ 12 ± 2dB
	最小		- 12 ± 2dB

2-6 GEQ 変化特性

2-1 の項で指定された設定状態で、各 GEQ のフェーダー位置を最大または最小にしたとき、MAIN OUT (L, R) および MONITOR OUT に得られる各周波数における出力レベルはセンタークリック位置の出力レベルを基準として表 2-6-1 の範囲内にあることを確認します。

範囲内の出力レベルが得られない場合は、印加周波数を指定周波数の ± 20% の範囲で変化させ、表 2-6-1 の範囲内の変化幅が得られることを確認します。

表 2-6-1

	125	250	500	1k	2k	4k	8k
印加周波数	125Hz	250Hz	500Hz	1kHz	2kHz	4kHz	8kHz
変化幅	最大	+ 12 ± 2dB					
	最小	- 12 ± 2dB					

2-7 FCL インジケータ点灯レベル

2-1 の項で指定された設定状態で、チャンネル 1 ~ 11/12 の入力端子 (INPUT B、MIC) に 1kHz、- 73dBu の信号を入力したとき、FCL インジケータが点灯することを確認します。また、- 85dBu の信号を入力したとき、FCL インジケータが消灯することを確認します。

2-8 LEVELメーター点灯確認

MAIN OUT (L, R) の出力レベルが $+4 \pm 2\text{dBu}$ のとき、メーターの“0”が点灯することを確認します。MAIN MASTER コントロールを動かし、“-10”から“+6”まで順に点灯することを確認します。

2-9 歪率

表 2-3-1 および 2-3-2 の ①～⑤ の信号系統で、入力チャンネルの各コントロールおよび MASTER コントロールをノミナル位置に設定します。各出力端子に $+14\text{dBu}$ の出力が得られたとき、歪率が 0.5% 以下であることを確認します。

注意：

- 歪率は 30-kHz ローパスフィルターを使用して測定すること。

2-10 最大出力

2-9 の状態で、MAIN OUT (L, R) および MONITOR OUT に $+20\text{dBu}$ の出力が得られたとき、歪率が 1% 以下であることを確認します。また、EFFECT OUT に $+16\text{dBu}$ の出力が得られたとき、歪率が 1% 以下であることを確認します。

2-11 入力換算雑音

2-1 の項で指定された設定状態で、INPUT B または MIC 端子の 2 番ピン (ホット) と 3 番ピン (コールド) を 150Ω で接続したとき、MAIN OUT L で得られるノイズレベルが -49dBu 以下であることを確認します。

ノイズレベルが -49dBu を超える場合は、入力換算でのノイズレベルを計算し、 -114dBu 以下であることを確認します。

注意：

- 測定チャンネル以外に入力チャンネルの LEVEL コントロールは最小に設定すること。
- ノイズレベルは DIN AUDIO フィルターを使用して測定すること。
- 入力換算ノイズレベル = (ノイズレベル) - (チャンネルゲイン)

2-12 残留雑音

2-1 の項で指定された設定状態で、すべての入力チャンネルの LEVEL コントロールを最小に設定します。MASTER コントロールを最大または最小に設定したとき、ノイズレベルが表 2-12-1 のレベル以下であることを確認します。

表 2-12-1

MASTER コントロール	MAIN OUT (L, R)	MONITOR OUT	EFFECT OUT
最大	-75dBu	-67dBu	-80dBu
最小	-90dBu	-90dBu	

注意：

- ノイズレベルは DIN AUDIO フィルターを使用して測定すること。

2-13 PHANTOM

INPUT B または MIC 端子の 1 番ピンと 2 番ピン間に負荷抵抗 $2.7\text{k}\Omega$ を接続し 2 番ピンと 3 番ピン間を短絡します。PHANTOM スイッチをオンにしたとき、PHANTOM インジケーターが点灯し、負荷抵抗の両端に $+10 \pm 1.5\text{V}$ の電圧が得られることを確認します。

2-14 デジタルエフェクト

DIGITAL EFFECT ON スイッチをオンにし、チャンネル 1 の INPUT B 端子に -51dBu の信号を入力したとき、表 2-14-1 の状態で出力に -10dBu 以上のレベルが得られることを確認します。

表 2-14-1

出力	LINE/MIC スイッチ	チャンネル 1 LEVEL コントロール	チャンネル 1 EFFECT コントロール	PROGRAM セレクター	PARAMETER コントロール
MONITOR OUT	MIC	最大	最大	1	最小

次に信号を入力せずにチャンネル 1 の LEVEL コントロールおよび EFFECT コントロールを最小に設定します。このとき、MONITOR OUT でのノイズレベルが -50dBu 以下であることを確認します。また、音楽ソースを入力し、MAIN OUT (L, R) および MONITOR OUT でのデジタルエフェクトの効果を聴感で確認します。

2-15 STAND-BY

2-1 の項で指定された設定状態で、チャンネル 1 の INPUT B より信号を入力し、MAIN OUT (L、R)、MONITOR OUT、EFFECT OUT の各出力レベルを +14dBu に設定します。STAND-BY スイッチをオンにしたとき、出力が -46dBu 以下であることを確認します。また、STAND-BY インジケーターが点灯することを確認します。

注意：

- チャンネル 2 ～ 11/12 の LEVEL コントロールを最小に設定すること。

3. パワーアンプ部の検査

3-1 準備

- 特に指定のない場合、ツマミ類は下記のように設定すること。

• 入力端子：	LINE R (チャンネル 5/6)
• POWER AMP 切り替えスイッチ：	MAIN (L + R) / MON
• 出力端子：	SPEAKERS A2、SPEAKERS B2
• 負荷抵抗：	4Ω ± 1%
• MAIN MASTER コントロール：	最大 (10)
• MONITOR MASTER コントロール：	最大 (10)
• LEVEL コントロール (チャンネル 5/6)：	最大 (10)
• MONITOR コントロール (チャンネル 5/6)：	最大 (10)
• LEVEL コントロール (チャンネル 1 ～ 4、7/8 ～ 11/12)：	最小 (0)
• その他のコントロール (チャンネル 1 ～ 4、7/8 ～ 11/12)：	最小
- 特に指定のない場合、両チャンネル駆動とする。
- 特に指定のない場合、SPEAKERS の負荷抵抗はパワーアンプ部の検査時にのみ接続すること。
- 特に指定のない場合、入力信号は 1kHz 正弦波とする。
- 信号源インピーダンスは 150Ω とする。
- 負荷抵抗は容量が十分余裕のあるものを使用すること。

3-2 利得

各出力端子で得られる出力端子電圧は表 3-2-1 の範囲内であることを確認します。

表 3-2-1

LINE R	SPEAKERS (A2、B2)
-21dBu	+22.0 ± 2dBu

注意：

- 各出力端子 (SPEAKERS A2、SPEAKERS B2) 間レベル差は 2dB 以下のこと。

3-3 出力ノイズレベル

チャンネル 5/6 の LEVEL コントロールおよび MONITOR コントロール、MONITOR MASTER コントロール、MAIN MASTER コントロールを最小に設定します。各出力端子で得られるノイズレベルは表 3-3-1 のレベル以下であることを確認します。

表 3-3-1

SPEAKERS (A2、B2)
-65dBu

注意：

- ノイズレベルは DIN AUDIO フィルターを使用して測定すること。

3-4 プロテクション回路

出力端子から負荷抵抗を外します。チャンネル 5/6 の LOW EQ ゲインコントロールを最大に設定し、POWER AMP 切り替えスイッチを MAIN L/R 側に設定します。チャンネル 5/6 の LINE L 端子から 1Hz、-5dBu の信号を入力したとき、POWER インジケーターが消灯しないことを確認します。

3-5 周波数特性

<YS Processing スイッチ：オフ>

20Hz、1kHz、20kHz、-27dBu の信号を入力したとき、出力端子レベルが 1kHz を基準として +1 ± 3dB の範囲内であることを確認します。

<YS Processing スイッチ：オン>

70Hz、 -27dBu の信号を入力したとき、YS Processing スイッチがオフの状態での 1kHz 入力時の出力端子レベルを基準としてオン時には $+6.5 \pm 2\text{dB}$ の範囲内であることを確認します。また、YS Processing インジケーターが点灯していることを確認します。

3-6 VIリミッター、コンプ

出力端子に 1Ω ($\pm 5\%$) の負荷抵抗を接続し、1kHz、 -19dBu の信号を入力したとき、出力端子電圧が表 3-6-1 の範囲内であることを確認します。また、歪率が 8% 以下であることを確認します。また、このとき LIMITER インジケーターが点灯することを確認します。

表 3-6-1

SPEAKERS (A2, B2)
$20.5 \pm 2\text{dBu}$

注意：

- 測定は片チャンネルごとに行うこと。
- この検査は 30 秒以内に終了すること。**

3-7 消費電力

無信号状態で、MONITOR MASTER コントロールおよび MAIN MASTER コントロールを最小に設定します。一次電力を測定し、表 3-7-1 の範囲内であることを確認します。

表 3-7-1

消費電力
$35 \pm 10\text{W}$

3-8 安定度

3-8-1 準備

- 出力端子から負荷抵抗を外します。
- 1kHz、 -10dBu の方形波を入力します。(実効値)
- SPEAKERS B2 端子での出力電圧が表 3-8-1 の範囲内になるように MONITOR MASTER コントロールを調整します。
- SPEAKERS A2 端子での出力電圧が表 3-8-1 の範囲内になるように MAIN MASTER コントロールを調整します。
- 検査終了まで MONITOR MASTER コントロールおよび MAIN MASTER コントロールには触れないでください。

表 3-8-1

SPEAKERS (A2, B2)
$+20 \pm 2\text{dBu}$ (実効値)

3-8-2 検査

出力端子に純容量 $0.01\mu\text{F}$ のフィルムコンデンサのみを接続します。オーバーシュートおよびリングングは以下の条件を満たしていることを確認します。

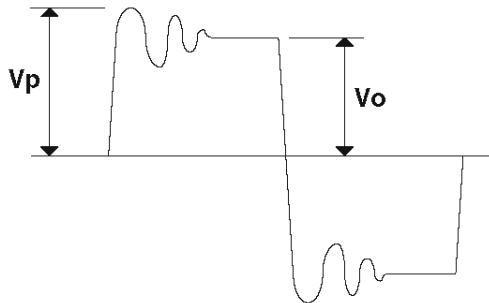


図 3-8-2

- オーバーシュート： $V_p/V_p \leq 2.5$
- リングング：7 波以内に収束し、発振などを生じないこと。

3-9 最大出力

3-9-1 準備

- 1kHz、 -10dBu の信号を入力します。
- SPEAKERS B2 端子での出力電圧が $+22 \pm 0.1\text{dBu}$ になるように MONITOR MASTER コントロールを調整します。
- SPEAKERS A2 端子での出力電圧が $+22 \pm 0.1\text{dBu}$ になるように MAIN MASTER コントロールを調整します。
- 検査終了まで MONITOR MASTER コントロールおよび MAIN MASTER コントロールには触れないでください。

3-9-2 検査

1kHz の信号を入力します。表 3-9-2 の定格出力を得たとき、歪率が 0.5% 以下であることを確認します。

表 3-9-2

SPEAKERS (A2, B2)
200W + 200W

注意：

- 歪率は 22kHz ローパスフィルターを使用して測定すること。
- **この検査は 30 秒以内に終了すること。**

3-10 工場出荷時の設定

- EQ ゲインコントロール (HIGH、MID、LOW) : センター (0)
- GEQ フェーダー (7バンド) : センター (0)
- POWER AMP 切り替えスイッチ : MAIN L/R
- YS Processing スイッチ : ON
- PROGRAM セレクター : 1 (REVERB HALL 1)
- その他のコントロール : 最小
- その他のスイッチ : OFF

■ PS CIRCUIT BOARD REPAIR GUIDE

1. Applicable Circuit Board

This guide is applicable when repairing the circuit board specified in the table 1-1.

Table 1-1

Circuit Board	Part No.	Destination	Power Supply
PS84U	WD949200	U/V	AC 120 V
PS84H	WD949300	H/B/W/K/O	AC 230 V
PS84A	WD949400	A	AC 240 V

2. Electrical Performance

2-1 Preparation

- Connect the SW circuit board (WD945300) to CN410 and CN411.
- Connect the OUT circuit board (U/V/A/K/O: WE842800, H/B/W: WE842900) to CN401 and CN402.
- Adjust the power supply voltage suites each circuit boards. Refer to the table 1-1 above.
- Connect the power cable to the AC inlet on the OUT circuit board.

2-2 Voltages of Each Part

The output voltage is normal if it is in the range specified in the table 2-1 when turning the power on.

Table 2-1

Measuring Item	Measuring Part	Output Voltage (DC)		Load Resistance
		U/V/T/A	H/B/W/T/K/O	
+BL	CN406-CN407	approx. +56.6 V	approx. +57.4 V	5 kΩ, 3 W
-BL	CN408-CN407	approx. -56.6 V	approx. -57.4 V	5 kΩ, 3 W
+15 V	CN415 1-2 pin	approx. +15.0 V	approx. +15.0 V	10 kΩ, 1/4 W
-15 V	CN415 3-2 pin	approx. -15.0 V	approx. -15.0 V	10 kΩ, 1/4 W

Note: The output voltage may be out of the range if it is measured without the load resistance or the power supply voltage differs from the specified in the table 1-1.

2-3 Discharge

To prevent the electrical shock (discharge of the electric charge from the capacitor), discharge electricity between the following part when handling the PS circuit board.

- Between the positive (+) and negative (-) terminals of C409 and C410. If you have left the unit for 10 minutes or more after turning the power off, you do not have to discharge.
- Between CN406 and CN408.

3. Example of Repair

All DC voltage is not output from secondary side.

3-1 Instruction

Follow the instruction below. (See section 3-2 and diagram 3-3 on page 82.)

- ① Check the resistor value of R418 and R424 (6.8 Ω, 5 W).
If opened, replace R418 and R424.
- ② Check the resistor value between C-E of Q406 and Q407.
If short-circuited or the resistor value lowers by several values (Ω), remove Q406 or Q407. Also replace IC402 because it is broken.
- ③ Check the resistor value of R419 and R421 is 33 Ω.
If opened or the resistor value increases, replace R419 and R421.
If short-circuited or the resistor value is extremely small, replace D404 and D405. After replacing D404 and D405, check the resistor value again.
- ④ Check the resistor value of R440 is 220 Ω.
If opened or the resistor value increases, replace R440. Also replace Q414 because it may be broken.
- ⑤ Check the resistor value of R429, R430, R453 and R454.
If opened or the resistor value increases, replace R429, R430, R453 or R454.
- ⑥ Check the resistor value of F401.
If opened, replace F401.
- ⑦ Check the resistor value between following pins of IC402 with the analog multi tester. When checking, put negative (-) side of the analog multi tester to pin 4.

	Pin	*Resistor Value	Remedy
1	Pin 4-5 (GND-LVG)	approx. 10 kΩ	Replace IC402.
2	Pin 4-3 (GND-Vcc)	approx. 5.5 kΩ	Replace IC403. If the problem is not resolved, replace IC401.
3	Pin 4-2 (GND-HIN)	approx. 500 MΩ	Replace IC402. If the problem is not resolved, replace IC401.
4	Pin 4-1 (GND-LIN)	approx. 500 MΩ	Replace IC402. If the problem is not resolved, replace IC401.

* The resistor value is the standard value. Replace IC402 if the resistor value is extremely different from the standard.

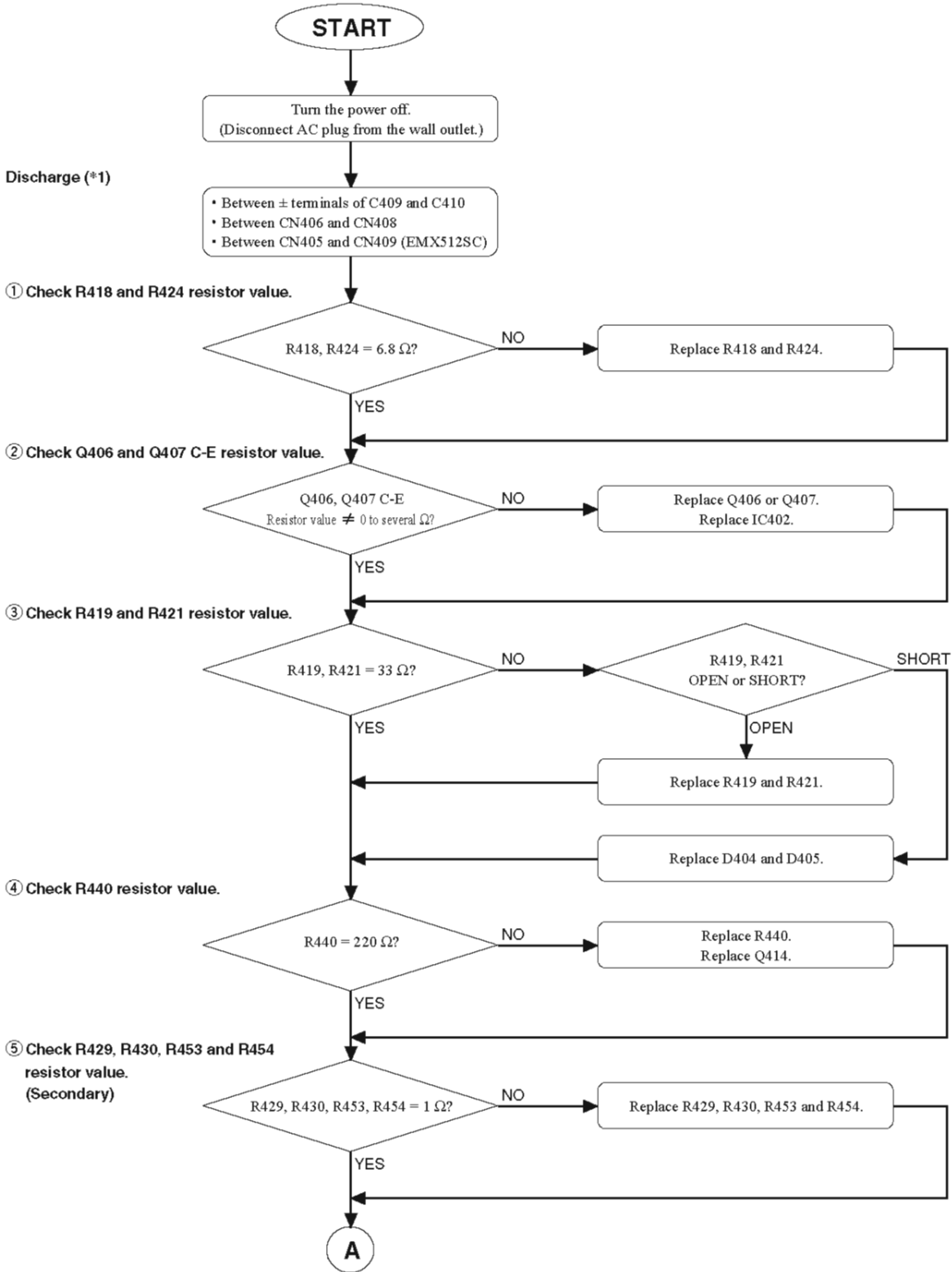
If the resistor value is out of the range, counter with the problem in the way specified in the “Remedy” section of the table above and check the resistor value again.

- ⑧ Check the AC input voltage is appropriate for the destination.
- ⑨ After checking items ① to ⑧, put the AC power and check the waveform between pin 4 (GND) and pin 5 (LVG) of IC402 with oscilloscope. Check the measured waveform is the square wave (0-15 V) around 70 kHz.
If the measured waveform is abnormal, check the output of IC403 (3-pin regulator) is +15 V.
If the output is less than +15 V, replace IC402 and check the waveform again. If IC402 is already replaced, replace IC401.
For the normal waveform, see the figure on page 68.
- ⑩ Check the “2. Electrical Performance” is satisfied. If satisfied, repair is finished.

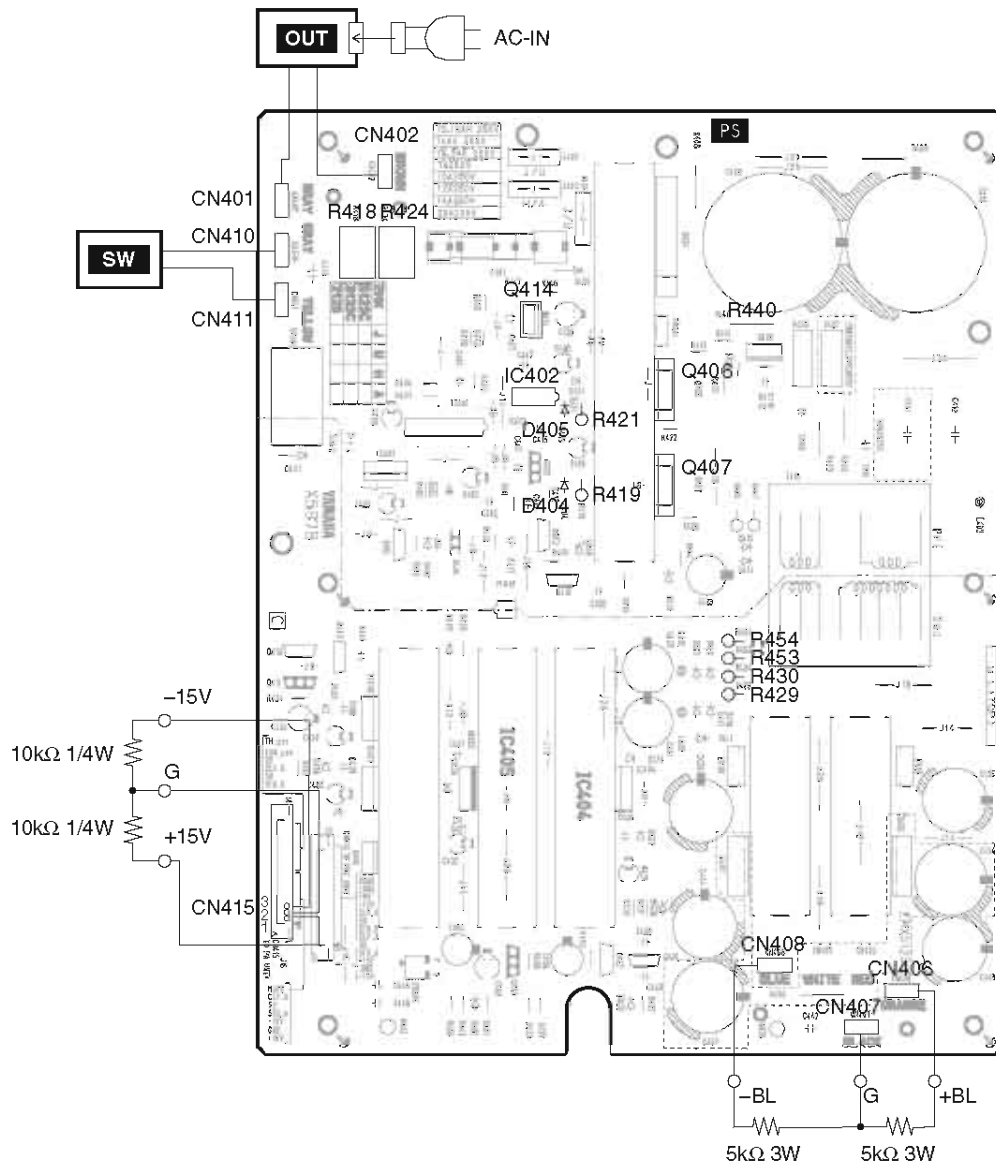
3-2 Repair Flowchart

Check the primary side circuit.

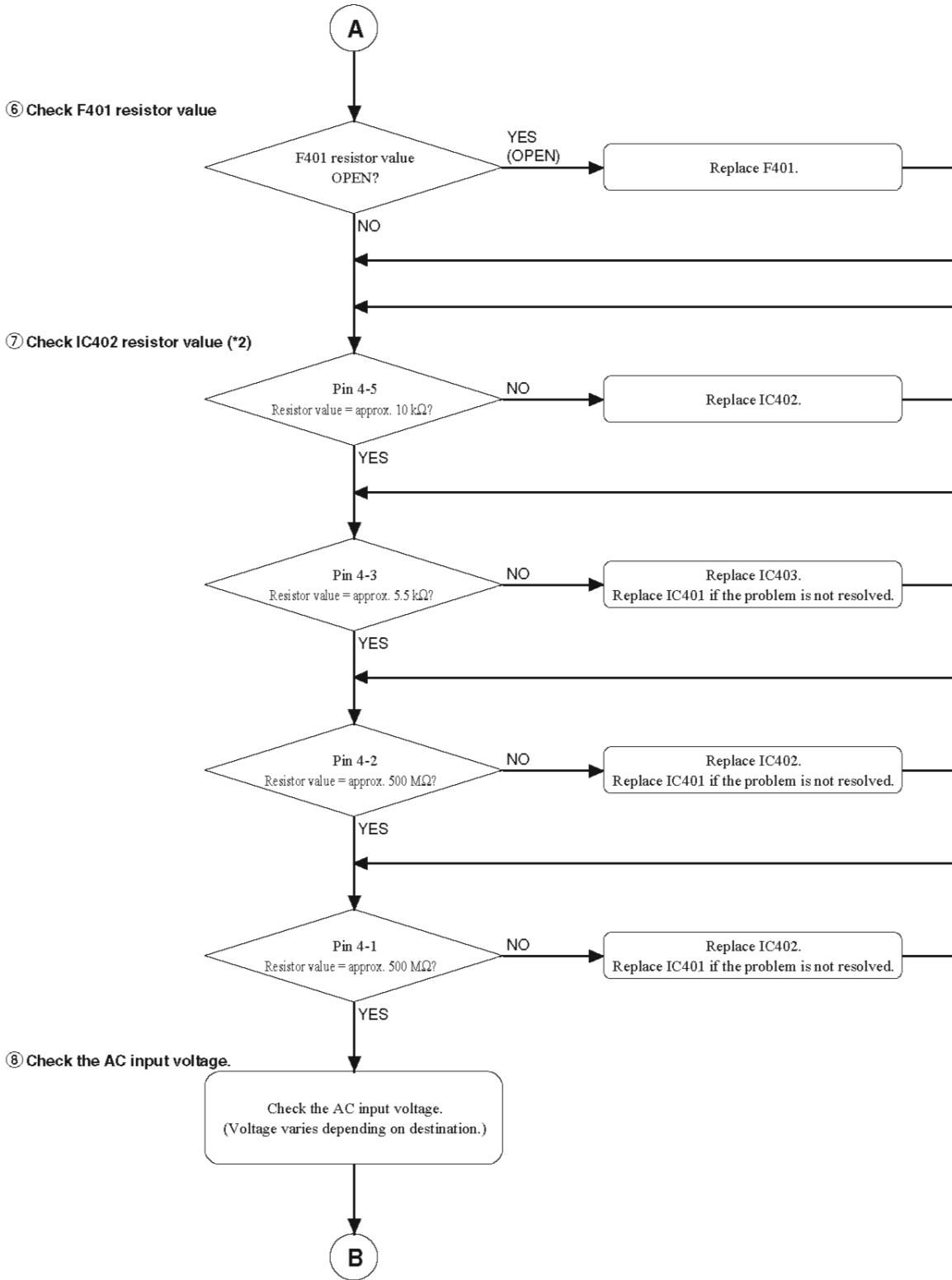
Note: Check and repair must be done carefully, otherwise the electrical shock may be caused.



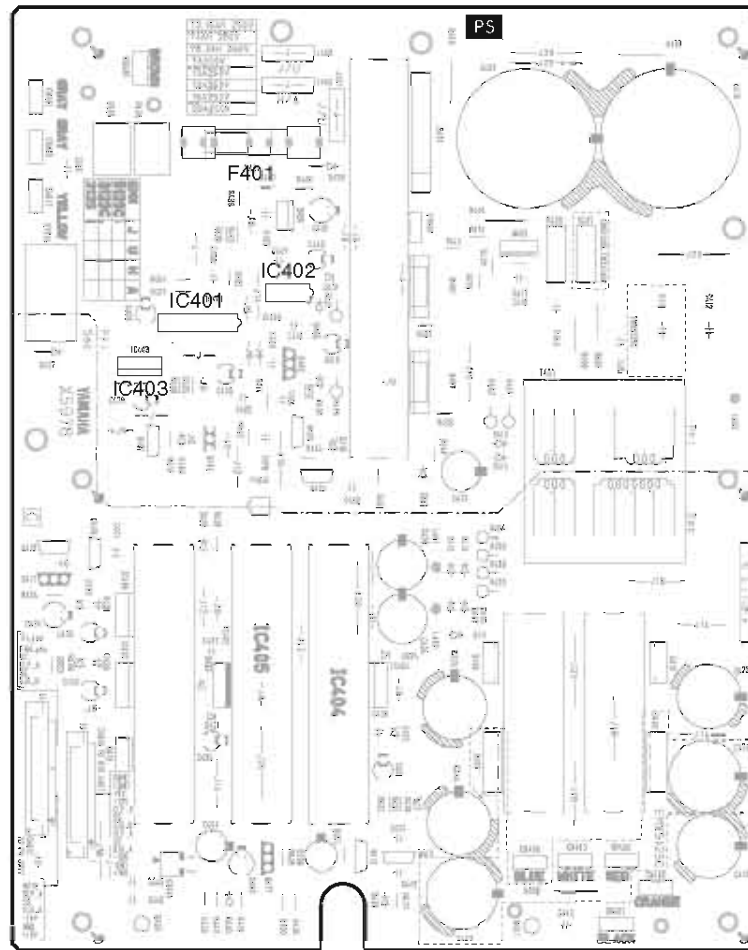
*1) To prevent the electrical shock, be sure to discharge electricity from the capacitor.
Discharge is not necessary if you have left the unit for 10 minutes or more after turning the power off.



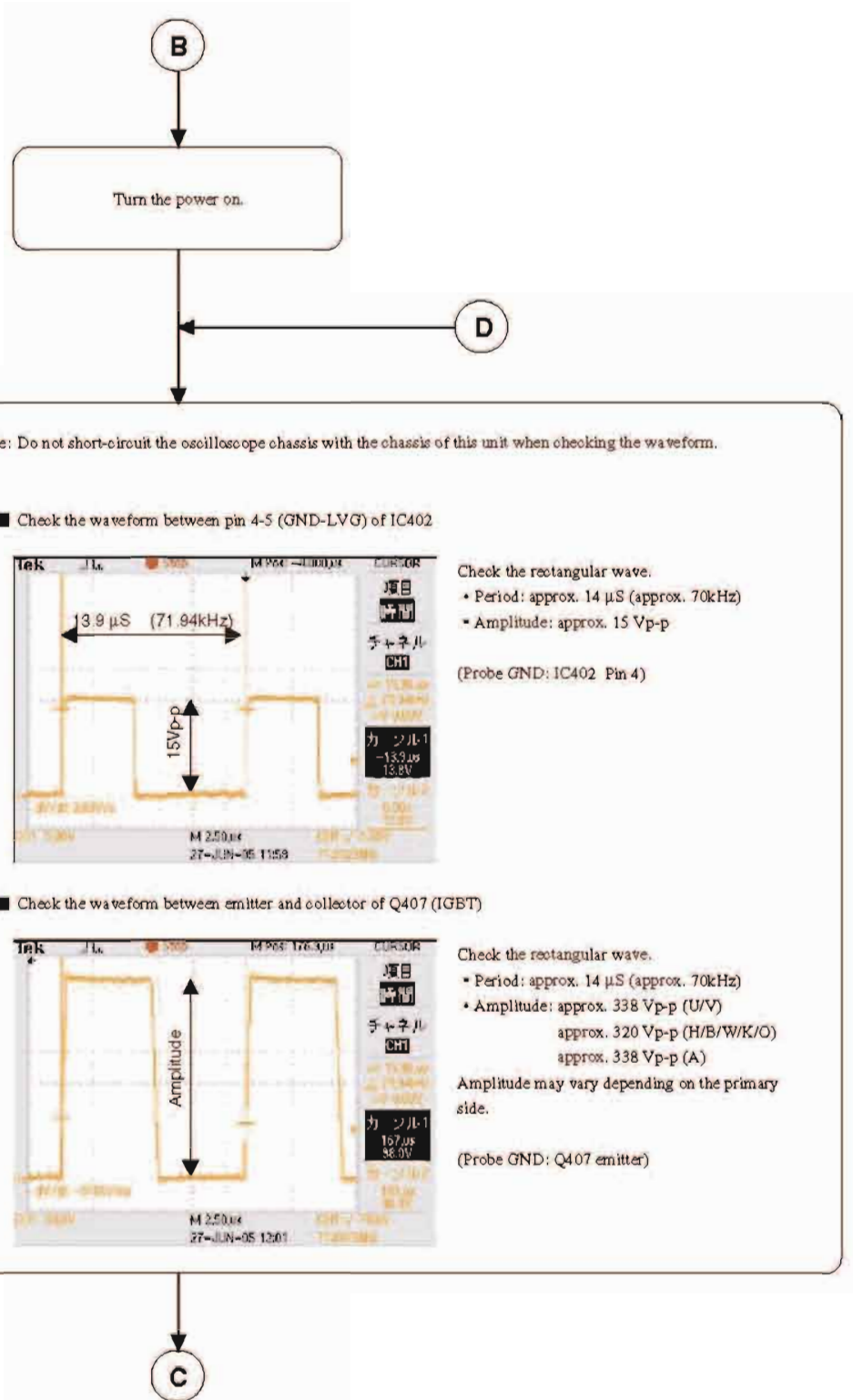
REF NO.	PART NO.	DESCRIPTION	部 品 名	REMARKS
①	R418	VN067400	Wire Wound Resistor 6.8 5W K	セメント抵抗
	R424	VN067400	Wire Wound Resistor 6.8 5W K	セメント抵抗
②	IC402	X5908A00	IC L6385	I C
	Q406	WD886500	IGBT IRGB10B60KDPBF	I G B T
	Q407	WD886500	IGBT IRGB10B60KDPBF	I G B T
③	D404	VD631600	Diode 1SS133, 176, HSS104	ダイオード
	D405	VD631600	Diode 1SS133, 176, HSS104	ダイオード
④	R419	HV754330	Flame Proof C. Resistor 33 1/4W J	不燃化カーボン抵抗
	R421	HV754330	Flame Proof C. Resistor 33 1/4W J	不燃化カーボン抵抗
	Q414	WD886500	IGBT IRGB10B60KDPBF	I G B T
⑤	R440	VC759500	Metal Oxide Film Resistor 220 2W J	酸化金属被膜抵抗
	R429	HV753100	Flame Proof C. Resistor 1.0 1/4W J	不燃化カーボン抵抗
	R430	HV753100	Flame Proof C. Resistor 1.0 1/4W J	不燃化カーボン抵抗
	R453	HV753100	Flame Proof C. Resistor 1.0 1/4W J	不燃化カーボン抵抗
	R454	HV753100	Flame Proof C. Resistor 1.0 1/4W J	不燃化カーボン抵抗

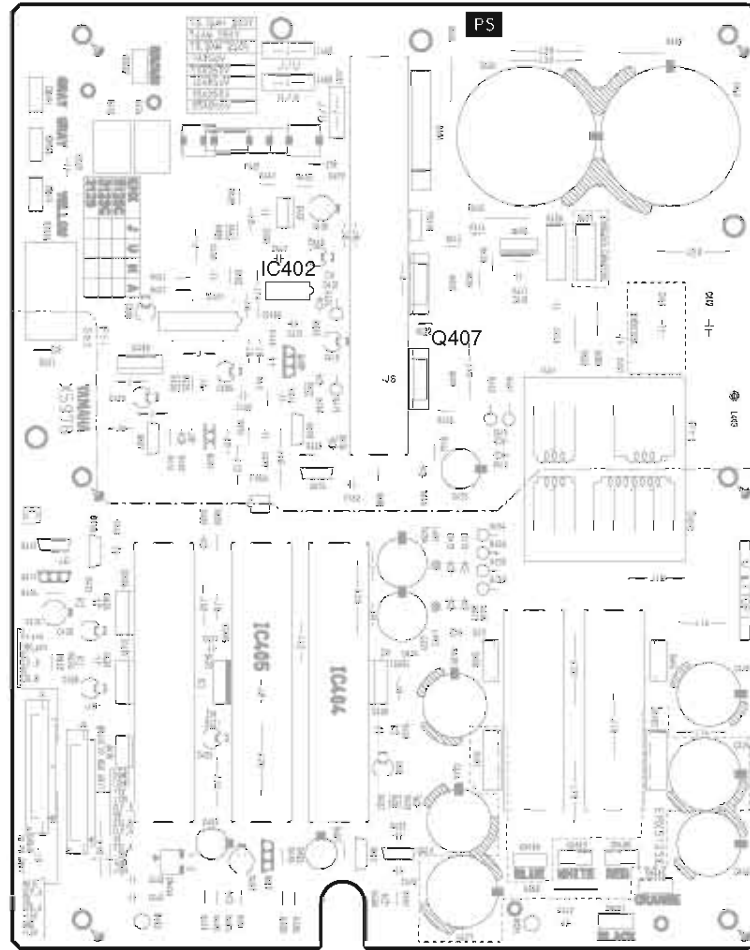


*2) The resistor value is the standard value. Replace IC402 if the resistor value is extremely different from the standard.

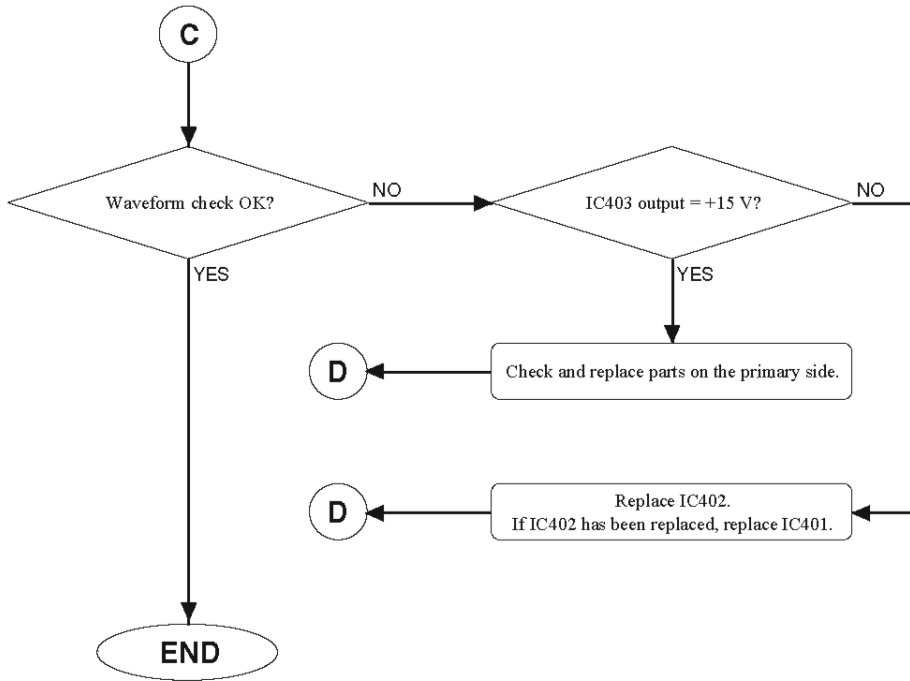


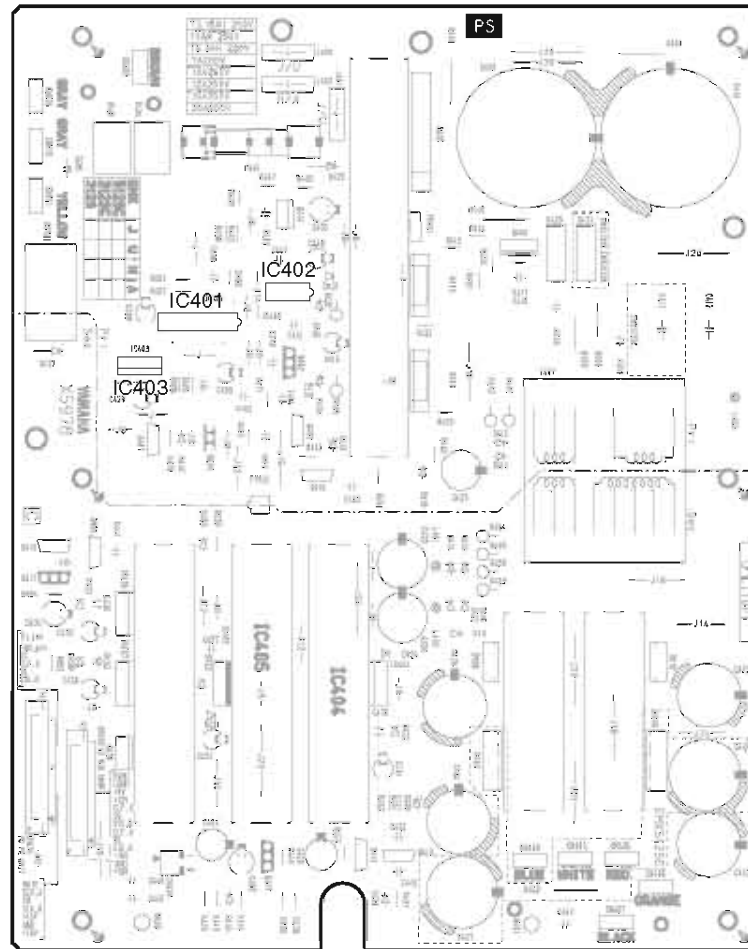
REF NO.	PART NO.	DESCRIPTION		部 品 名		REMARKS
⑥	F401	KB001390	Fuse	10A U	ヒ ユ ー ズ	J/U/V
	F401	VT943000	Fuse	TH 3.15A S	ヒ ユ ー ズ	H/B/W/A/K/O
⑦	IC401	X2383A00	IC	SG3525AN	I	C
	IC402	X5908A00	IC	L6385	I	C
	IC403	XJ603A00	IC	NJM78M15FA	I	C





REF NO.	PART NO.	DESCRIPTION		部 品 名			REMARKS
⑨	IC402	X5908A00	IC	L6385	I	C	
	Q407	WD886500	IGBT	IRGB10B60KDPBF	I	G B T	





REF NO.	PART NO.	DESCRIPTION		部 品 名		REMARKS
⑨	IC401	X2383A00	IC	SG3525AN	I	C
	IC402	X5908A00	IC	L6385	I	C
	IC403	XJ603A00	IC	NJM78M15FA	I	C

■ PSシート故障修理ガイド

1. 適用シート

このガイドは表 1-1 に示されたシートの修理時に適用されます。

表 1-1

シート名	部品番号	仕向	電源電圧
PS84J	WD949100	J	AC 100 V

2. 正常動作時電氣的性能

2-1 準備

- SW シート (WD945300) を CN410、CN411 に接続します。
- OUT シート (WE842700) を CN401、CN402 に接続します。
- 電源電圧を各シートに合った電源電圧に調整します。表 1-1 を参照してください。
- 電源コードを OUT シートの AC インレットに差し込みます。

2-2 各部電圧

POWER スイッチを ON にしたとき、各部出力電圧は表 2-1 の範囲に入っていれば正常です。

表 2-1

測定部	測定場所	出力電圧 (DC)	負荷抵抗
+ BL	CN406-CN407	約+ 56.6V	5k Ω 、3W
- BL	CN408-CN407	約- 56.6V	5k Ω 、3W
+ 15V	CN415 1-2ピン	約+ 15.0V	10k Ω 、1/4W
- 15V	CN415 3-2ピン	約- 15.0V	10k Ω 、1/4W

注：負荷抵抗なしで出力電圧を測定した場合や表 1-1 に示された電源電圧が変動している場合は、表 2-1 の出力電圧にならない場合があります。

2-3 放電

PS シート単体で取り扱う場合には、感電防止（コンデンサの電荷を放電）のため、下記端子を抵抗で放電します。

- C409 および C410 の土端子間。POWER スイッチを OFF したあと、10 分以上放置すれば放電の必要はありません。
- CN406-CN408 間。

3. 故障箇所の修理具体例

2次側出力電圧が、すべて出力されない。

3-1 確認・修理手順

下記手順に従ってください。(3-2 項および 82 ページの回路図 3-3 を参照してください。)

- ① R418 および R424 (6.8Ω、5W) の抵抗値を確認します。
オープンしている場合は、交換してください。
- ② Q406 および Q407 の C-E 間の抵抗値を確認します。
ショートまたは抵抗値が低下 (数Ω程度) している場合は、その部品を外してください。この場合、IC402 が破損していますので交換してください。
- ③ R419 および R421 の抵抗値が 33Ωであることを確認します。
オープンまたは抵抗値が増大している場合は、交換してください。
ショートまたは抵抗値が極端に小さい場合は、D404 および D405 を交換してください。D404、D405 交換後、抵抗値を再確認してください。
- ④ R440 の抵抗値が 220Ωであることを確認します。
オープンまたは抵抗値が増大している場合は、交換してください。この場合、Q414 が破損している可能性がありますので交換してください。
- ⑤ R429、R430、R453 および R454 の抵抗値を確認します。
オープンまたは抵抗値が増大している場合は、その部品を交換してください。
- ⑥ F401 の抵抗値を確認します。
オープンしている場合は、交換してください。
- ⑦ IC402 の下記ピン間の抵抗値をテスターで確認します。テスターの一端を 4 ピンにあててください。

	ピン	※抵抗値	抵抗値が外れていた場合の対処法
1	4-5 ピン (GND-LVG)	約 10kΩ	IC402 を交換します。
2	4-3 ピン (GND-Vcc)	約 5.5kΩ	IC403 を交換します。IC403 を交換しても外れる場合は、IC401 を交換します。
3	4-2 ピン (GND-HIN)	約 500MΩ	IC402 を交換します。IC402 を交換しても外れる場合は、IC401 を交換します。
4	4-1 ピン (GND-LIN)	約 500MΩ	IC402 を交換します。IC402 を交換しても外れる場合は、IC401 を交換します。

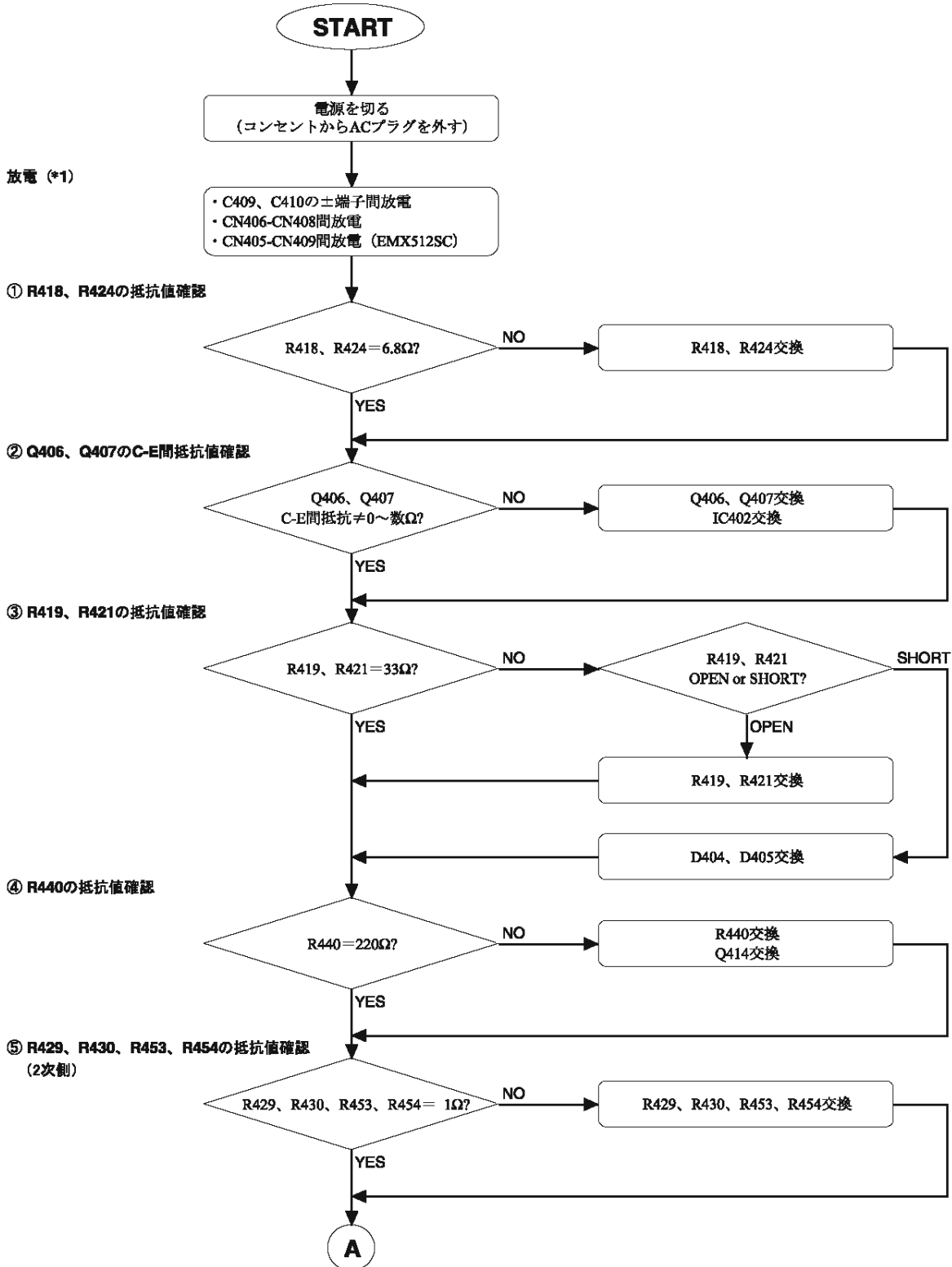
※ 抵抗値は目安です。極端に目安から外れる場合は IC402 を交換してください。

抵抗値が外れていた場合は、上記対処をしたあと、抵抗値を再確認してください。

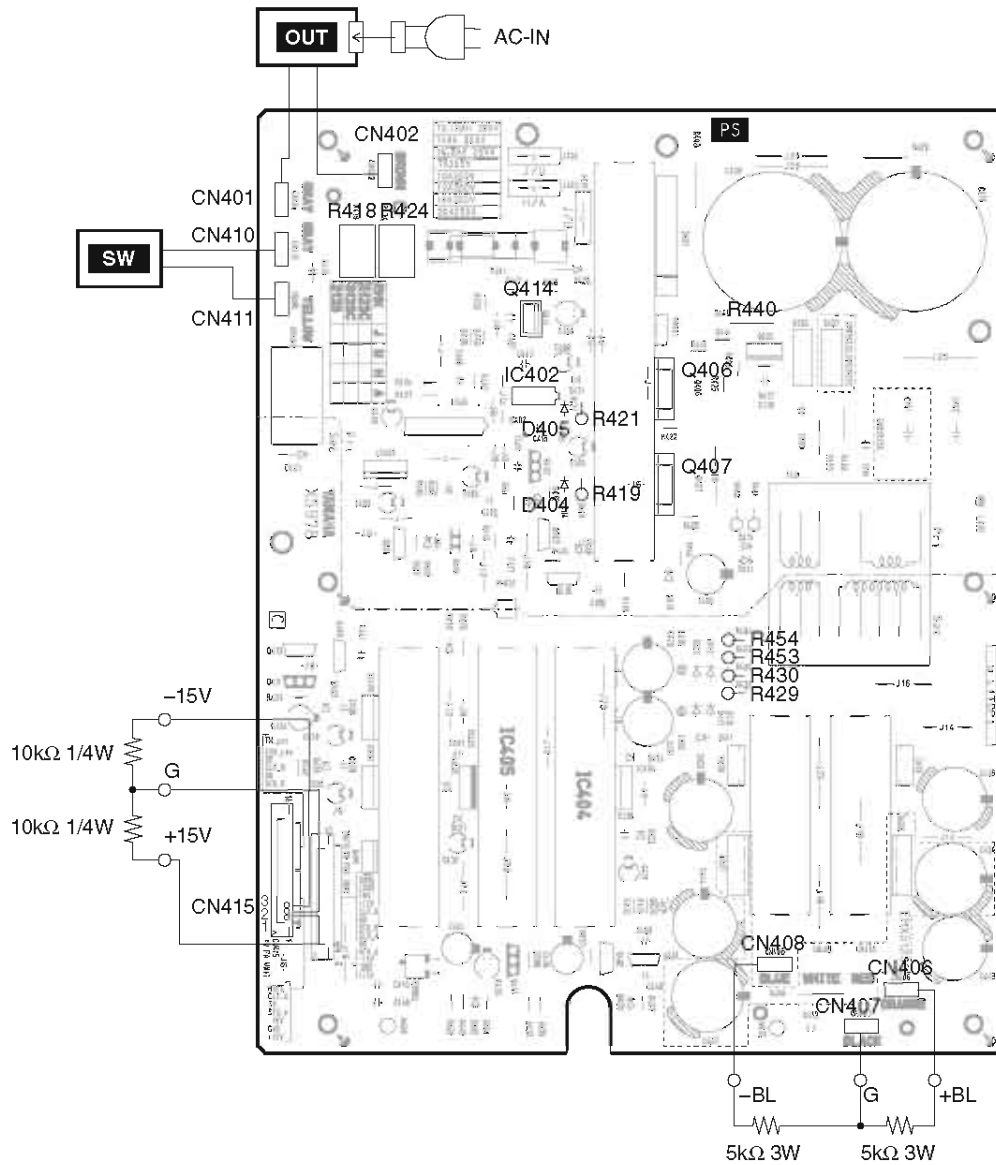
- ⑧ 入力 AC 電圧が 100V であることを確認します。
- ⑨ ① から ⑧ 終了後、AC 電源を入れ、IC402 の 4 番ピン (GND) と 5 番ピン (LVG) 間の波形をオシロスコープで測定します。約 70kHz の矩形波 (0-15V) であれば正常です。
波形が異常な場合は、IC403 (3 端子レギュレータ) の出力が +15V であることを確認します。
出力が +15V 以下の場合は、IC402 を交換して波形を再測定します。IC402 をすでに交換している場合は、IC401 を交換してください。
正常な波形については、78 ページを参照してください。
- ⑩ 「2. 正常動作時電氣的性能」を確認し、問題なければ修理完了です。

3-2 修理フローチャート
1次側回路を確認します。

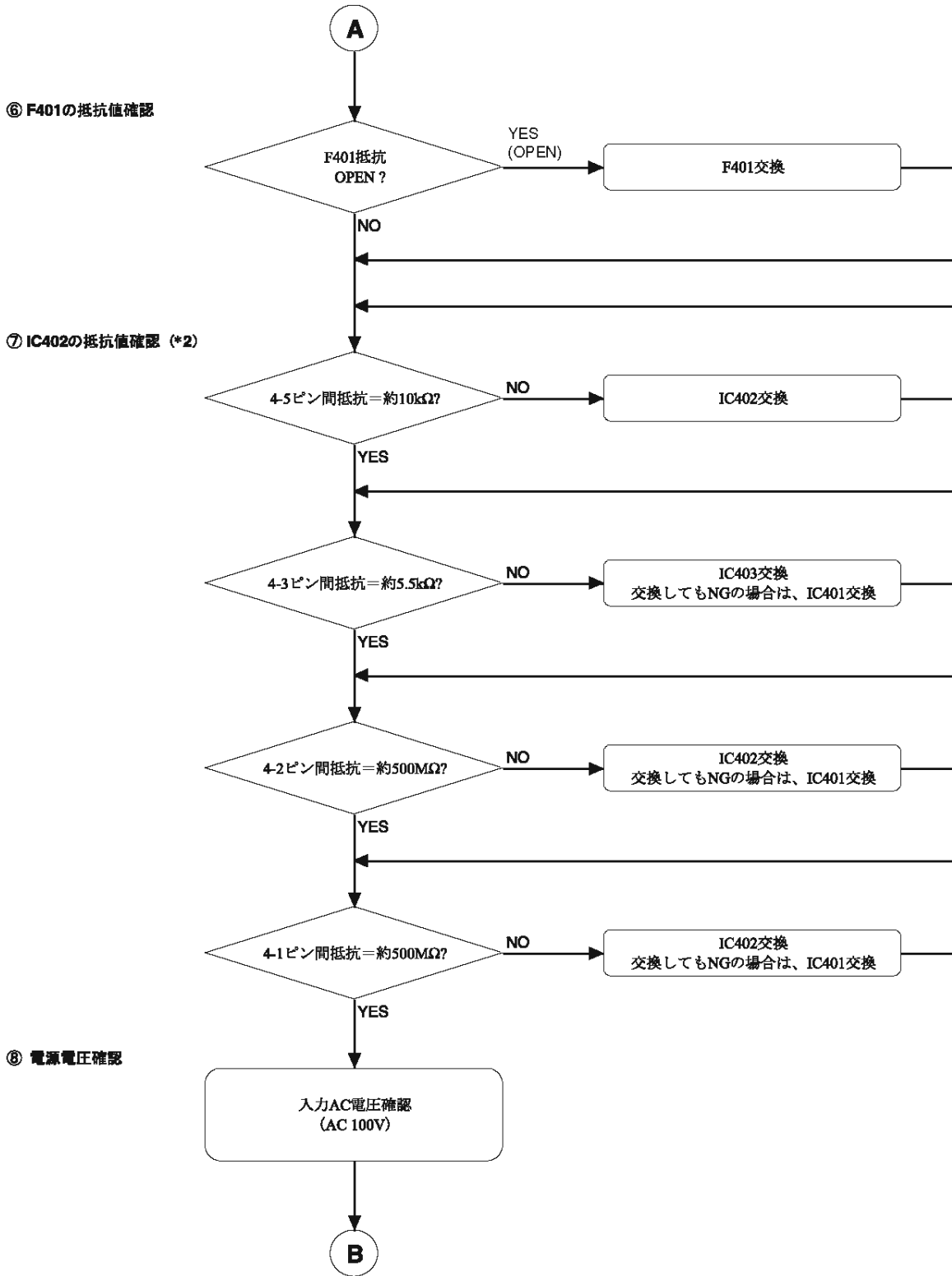
注意：感電するおそれがありますので、注意して作業してください。



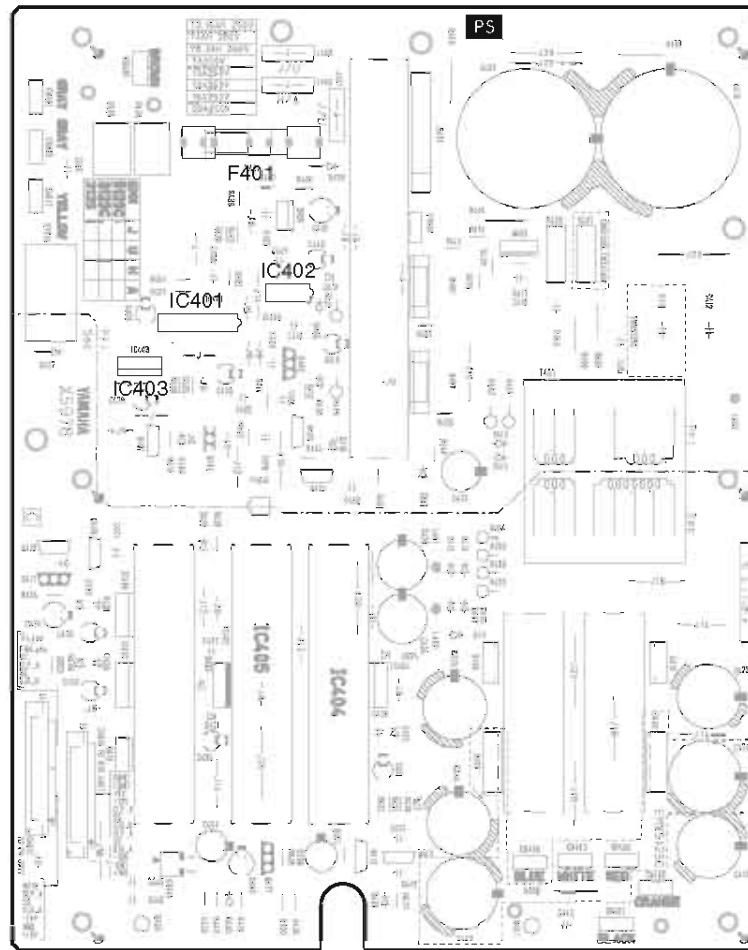
*1) 感電防止のため、必ずコンデンサの電荷放電を行ってください。
POWERスイッチをOFFしたあと、10分以上経過していれば強制放電の必要はありません。



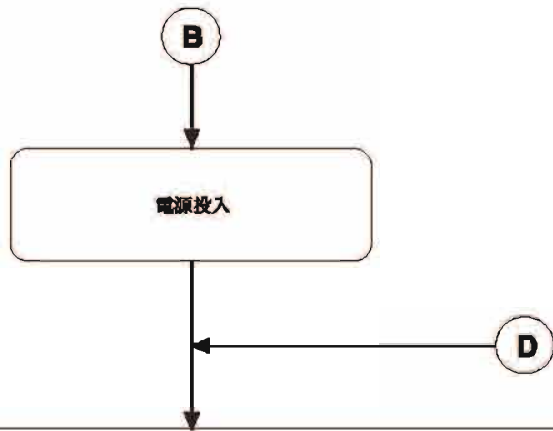
REF NO.	PART NO.	DESCRIPTION	部 品 名	REMARKS	
①	R418	WN067400	Wire Wound Resistor	6.8 5W K	セメント抵抗
	R424	WN067400	Wire Wound Resistor	6.8 5W K	セメント抵抗
②	IC402	X5908A00	IC	L6385	I C
	Q406	WD886500	IGBT	IRGB10B60KDPBF	I G B T
	Q407	WD886500	IGBT	IRGB10B60KDPBF	I G B T
③	D404	VD631600	Diode	1SS133, 176, HSS104	ダイオード
	D405	VD631600	Diode	1SS133, 176, HSS104	ダイオード
	R419	HV754330	Flame Proof C. Resistor	33 1/4W J	不燃化カーボン抵抗
	R421	HV754330	Flame Proof C. Resistor	33 1/4W J	不燃化カーボン抵抗
④	Q414	WD886500	IGBT	IRGB10B60KDPBF	I G B T
	R440	YC759500	Metal Oxide Film Resistor	220 2W J	酸化金属被膜抵抗
⑤	R429	HV753100	Flame Proof C. Resistor	1.0 1/4W J	不燃化カーボン抵抗
	R430	HV753100	Flame Proof C. Resistor	1.0 1/4W J	不燃化カーボン抵抗
	R453	HV753100	Flame Proof C. Resistor	1.0 1/4W J	不燃化カーボン抵抗
	R454	HV753100	Flame Proof C. Resistor	1.0 1/4W J	不燃化カーボン抵抗



*2) IC402の抵抗値は目安です。測定値が極端に目安から外れている場合は交換してください。



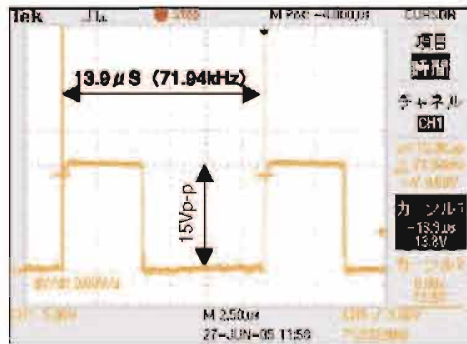
REF NO.	PART NO.	DESCRIPTION		部 品 名	REMARKS
⑥	F401	KB001390	Fuse	10A U	J/U/V
	F401	VT943000	Fuse	TH 3.15A S	H/B/W/A/K/O
⑦	IC401	X2383A00	IC	SG3525AN	C
	IC402	X5908A00	IC	L6385	C
	IC403	XJ603A00	IC	NJM78M15FA	C



⑨ 波形確認

注意：製品の状態で確認を行う場合は、オシロスコープのシャーシと製品のシャーシを接続（ショート）しないでください。

■ IC402 : 4-5ピン (GND-LVG) 間の波形測定

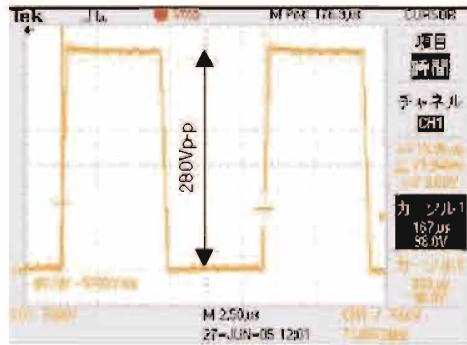


矩形波を確認します。

- ・ 周期：約14 μ s (約70kHz)
- ・ 振幅：約15Vp-p

(プローブアース：IC402 4ピン)

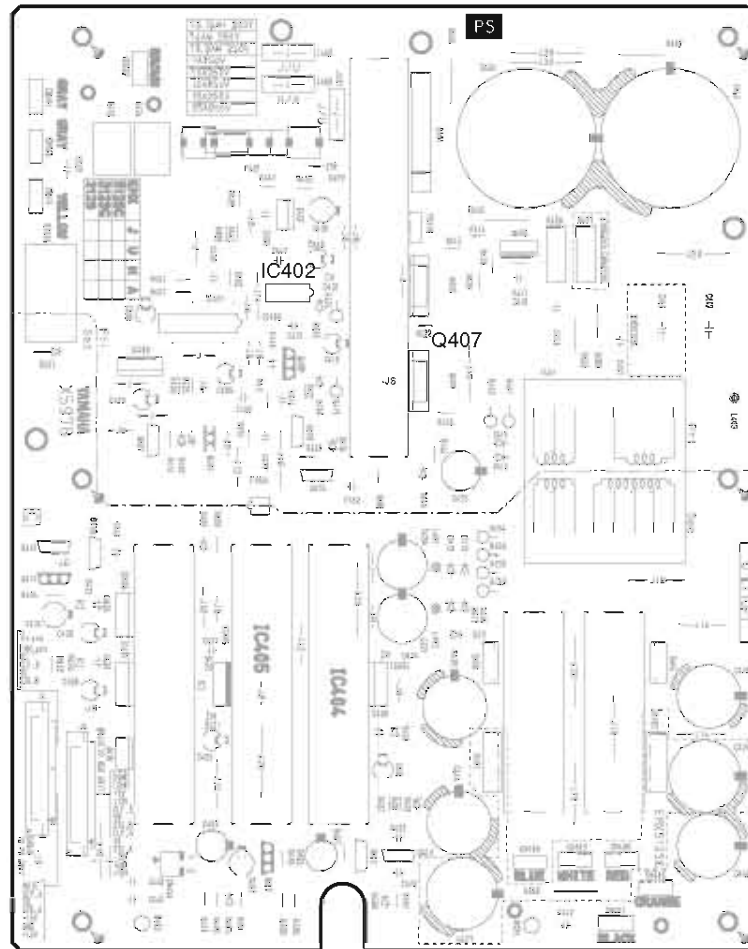
■ Q407 (IGBT) : コレクタ-エミッタ間の波形測定



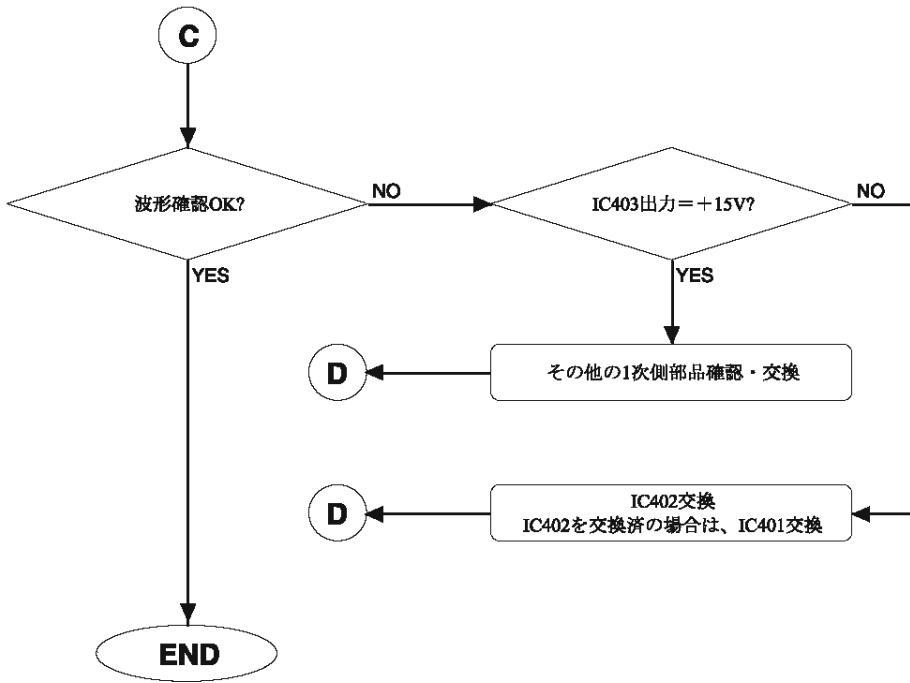
矩形波を確認します。

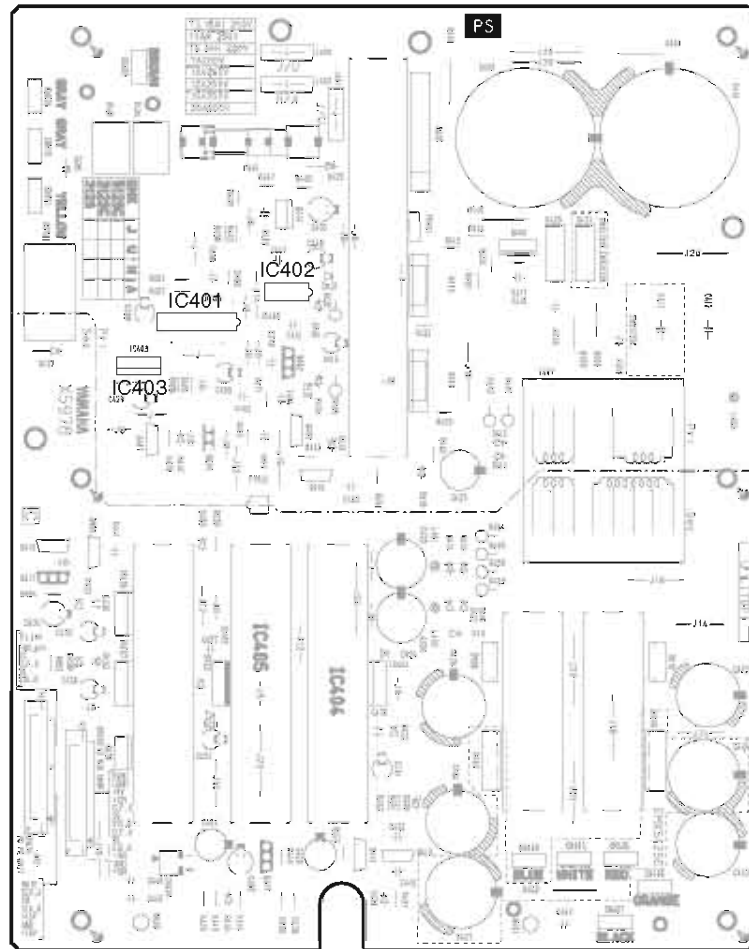
- ・ 周期：約14 μ s (約70kHz)
 - ・ 振幅：約280Vp-p
- 1次電源の状態で多少変化します。

(プローブアース：Q407 エミッタ)



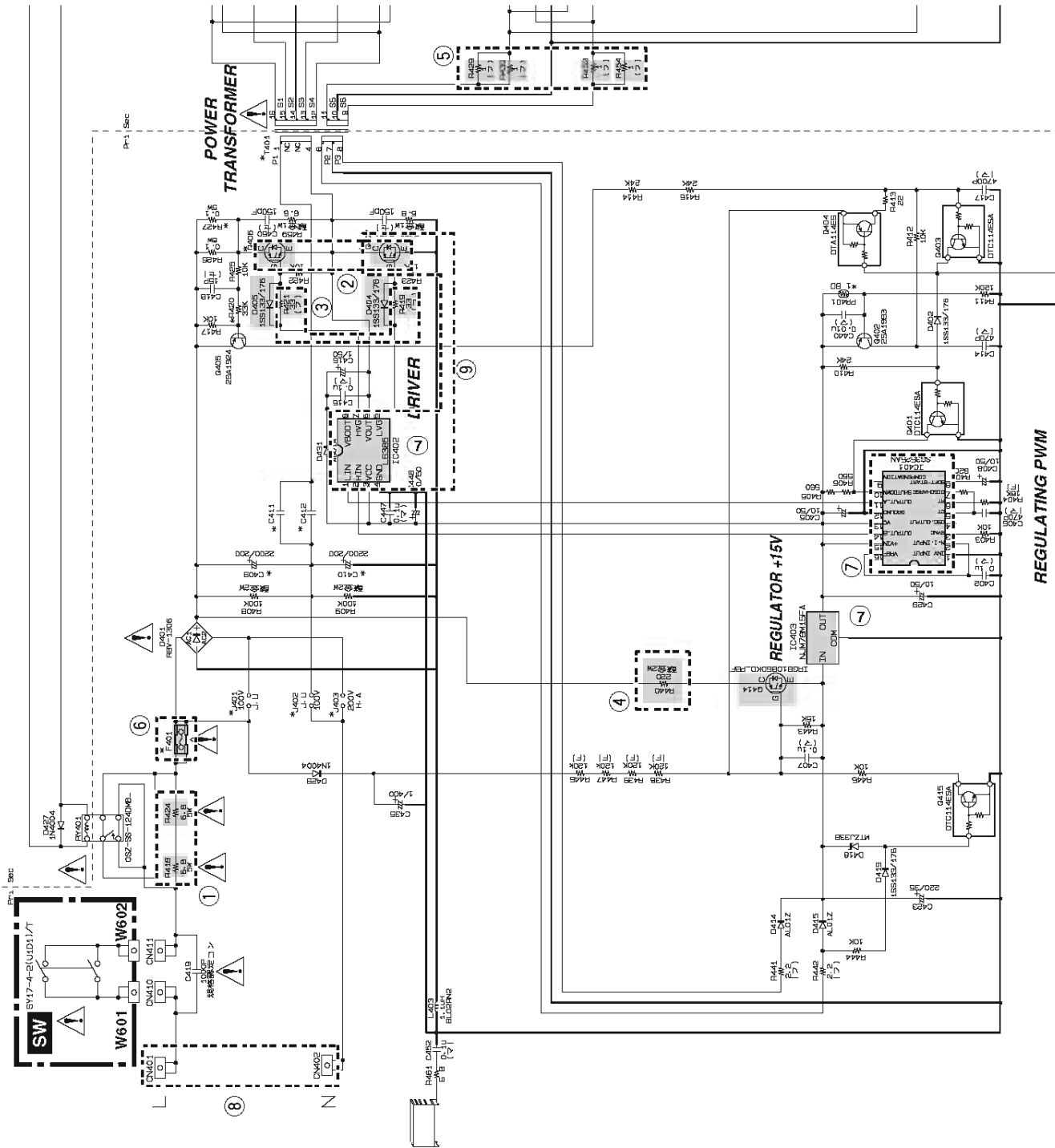
REF NO.	PART NO.	DESCRIPTION		部 品 名			REMARKS
⑨	IC402	X5908A00	IC	L6385	I	C	
	Q407	WD886500	IGBT	IRGB10B60KDPBF	I	G B T	





REF NO.	PART NO.	DESCRIPTION	部 品 名	REMARKS			
⑨	IC401	X2383A00	IC	SG3525AN	I	C	
	IC402	X5908A00	IC	L6385	I	C	
	IC403	XJ603A00	IC	NJM78M15FA	I	C	

3-3 Parts to Check and Repair on the Diagram. (主要チェック/修理部品)



Components in gray area indicates parts to repair.
 灰色部分の部品は主要修理部品です。

POWERED MIXER

EMX212s

PARTS LIST


■ CONTENTS (目次)


OVERALL ASSEMBLY (総組立).....	2
REAR PANEL ASSEMBLY (リアパネル Ass'y).....	6
POWER AMPLIFIER UNIT (パワーアンプユニット).....	7
HEAT SINK UNIT L100 (ヒートシンクユニット L100).....	8
HEAT SINK UNIT L70 (ヒートシンクユニット L70).....	9
HEAT SINK UNIT L50 (ヒートシンクユニット L50).....	11
ELECTRICAL PARTS (電気部品).....	12
RK512 RACK MOUNT KIT (ラックマウントキット).....	35

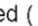
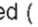
Notes : DESTINATION ABBREVIATIONS

A:	Australian model	M:	South African model
B:	British model	O:	Chinese model
C:	Canadian model	Q:	South-east Asia model
D:	German model	T:	Taiwan model
E:	European model	U:	U.S.A. model
F:	French model	V:	General export model (110V)
H:	North European model	W:	General export model (220V)
I:	Indonesian model	N,X:	General export model
J:	Japanese model	Y:	Export model
K:	Korean model		

■ WARNING (注意)

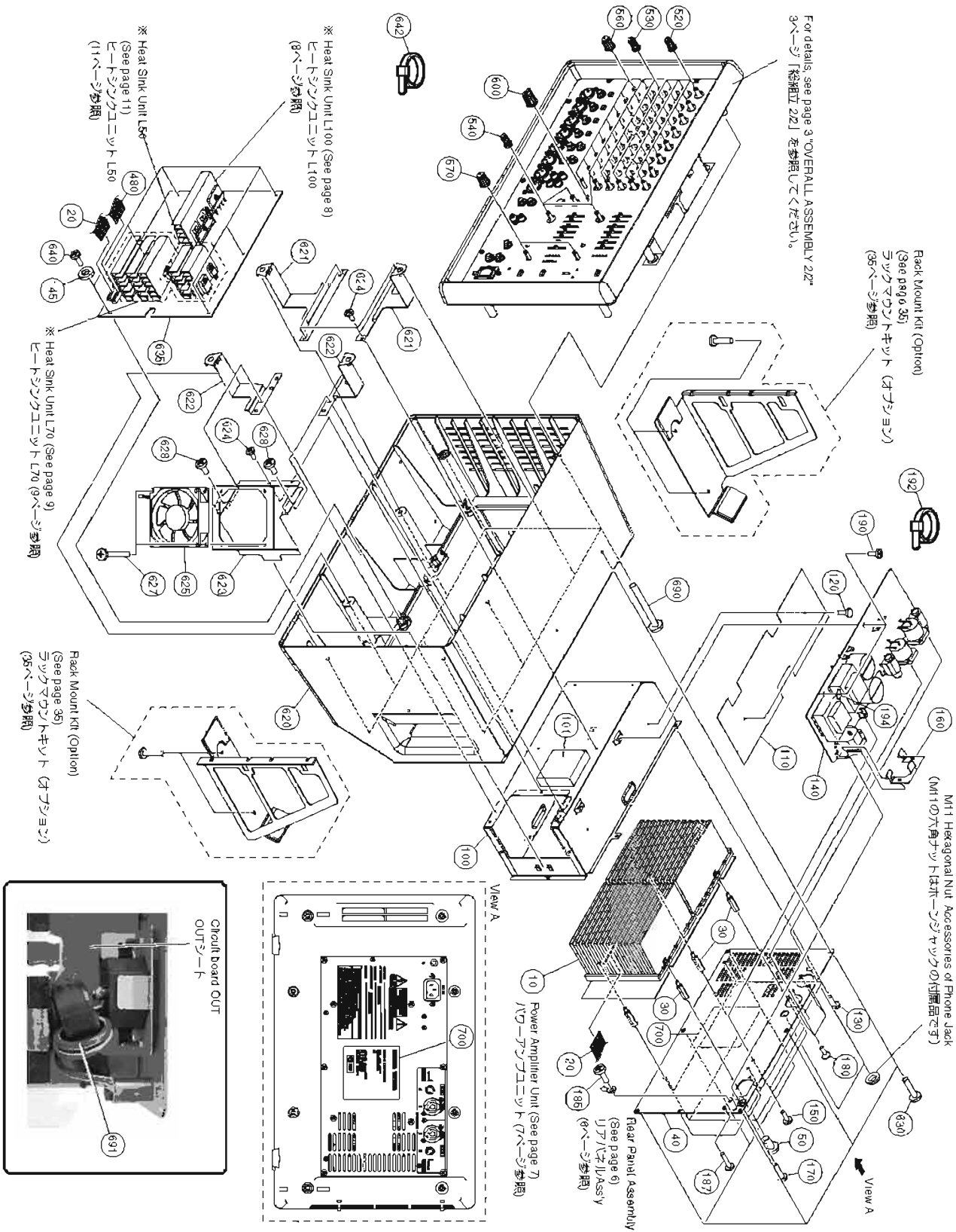
Components having special characteristics are marked  and must be replaced with parts having specification equal to those originally installed.

 印の部品は、安全を維持するために重要な部品です。交換する場合は、安全のために必ず指定の部品をご使用ください。

- The numbers "QTY" show quantities for each unit.
- The parts with "--" in "PART NO." are not available as spare parts.
- This mark "}" in the REMARKS column means these parts are interchangeable.
- The second letter of the shaded () part number is O, not zero.
- The second letter of the shaded () part number is I, not one.
- 部品価格ランクは、変更になることがあります。
- QTY 欄に記されている数字は、各ユニット当たりの使用個数です。
- PART NO. が "--" の部品は、サービス用部品として準備されておりません。
- REMARKS 欄の "}" マークの部品は、併用部品です。
- 網掛けの付いた PART NO. の 2 番目の文字は「ゼロ」ではなく、「オー」です。
- 網掛けの付いた PART NO. の 2 番目の文字は「イチ」ではなく、「アイ」です。

OVERALL ASSEMBLY 1/2 (総組立 1/2)

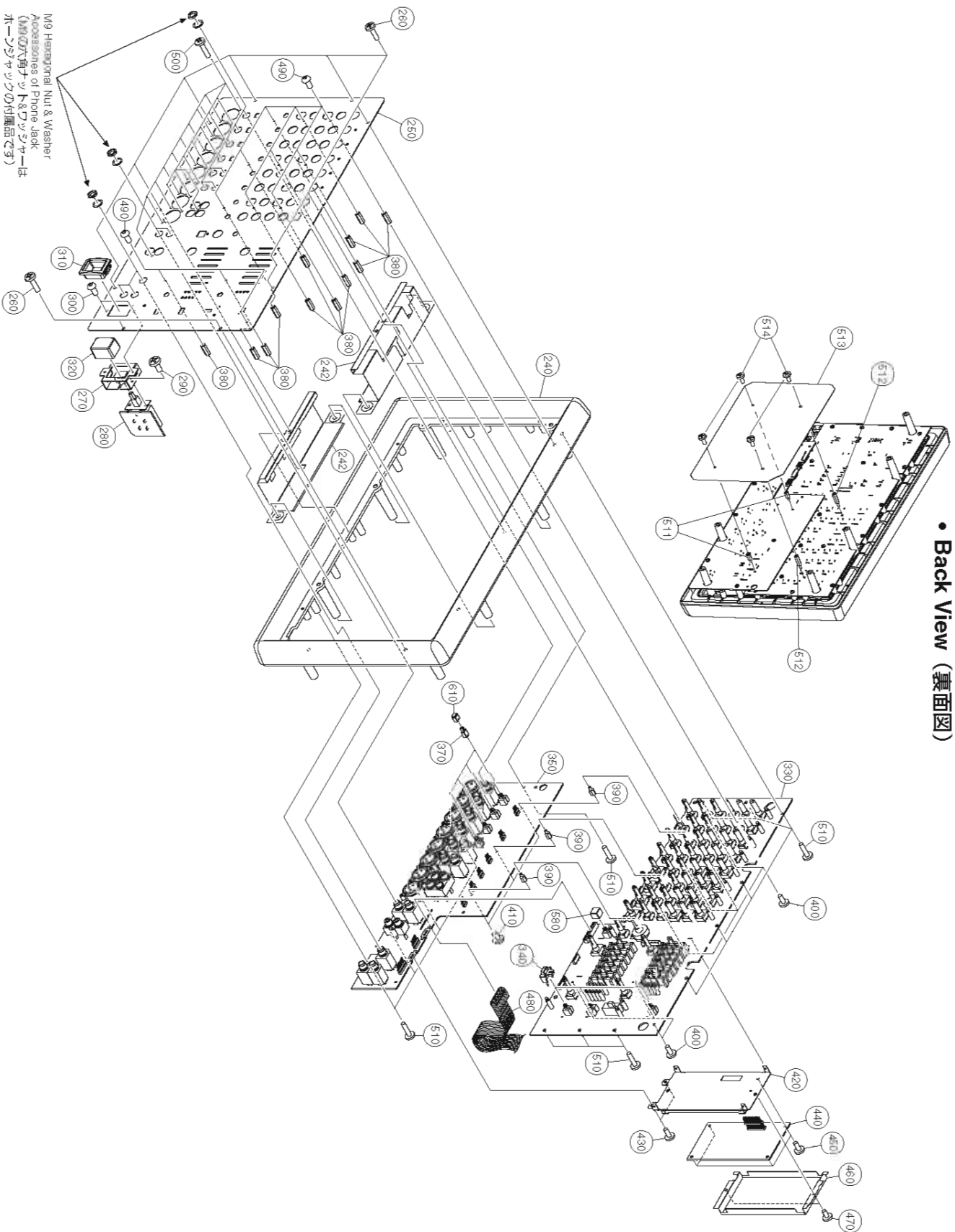
※ Details on ICs, transistors and diodes are not included in "ELECTRICAL PARTS" section. For details, refer to the list under "HEAT SINK UNIT".
 IC、トランジスタ、ダイオードは「ELECTRICAL PARTS」の部品リストの「IC、トランジスタ、ダイオード」リストを参照してください。
 これらの部品の設置については「ELECTRICAL PARTS」リストを参照してください。



For details, see page 3 "OVERALL ASSEMBLY 2/2" 3ページ「総組立 2/2」を参照してください。

■ OVERALL ASSEMBLY 2/2 (総組立 2/2)

● Back View (裏面図)



M9 Hexagonal Nut & Washer
Accessories of Phone Jack
(M9の六角ナットとワッシャーは
携帯電話の付属品です)

EMX212S

REF NO.	PART NO.	DESCRIPTION	部 品 名	REMARKS	QTY	RANK
	--	OVERALL ASSEMBLY	総 組 立	EMX212S		
	--	Overall Assembly	総 組 立	J (WE34590)		
	--	Overall Assembly	総 組 立	U, V (WE34610)		
	--	Overall Assembly	総 組 立	H, B, W (WE34630)		
	--	Overall Assembly	総 組 立	A (WE34640)		
	--	Overall Assembly	総 組 立	K (WE34650)		
	--	Overall Assembly	総 組 立	O (WE34670)		
* 10	WE523300	Power Amplifier Unit	パワーアンプユニット			
20	--	Jumper Wire	ジャンパーリード	(WE34870)		
* 30	WD942900	Hexagonal Spacer	六角スペーサーM4		4	
* 40	WE283500	Rear Panel	リアパネル印刷上り			
50	WE969000	Bind Head Screw	小ネジ+BIND		4	01
100	--	Case	風防ケース	(WD94240)		
* 101	WF614600	Support Cushion	サポートクッション			
110	--	Insulation Sheet	絶縁シート	(WE05560)		
* 120	WE348900	Plastic Rivet	プラスチックリベット		2	
130	WE877800	Bind Head Tapping Screw-S	Sタイト+BIND		5	01
* 140	WE842700	Circuit Board	OUT (OS J 1/2)	O U T シ ー ト J J		
* 140	WE842800	Circuit Board	OUT (OS U 1/2)	O U T シ ー ト U U, V, A, K, O		
* 140	WE842900	Circuit Board	OUT (OS H 1/2)	O U T シ ー ト H H, B, W		
* 145	WE833800	Circuit Board	SPACER (OS J 2/2)	S P A C E R シ ー ト J J		
* 145	WE833900	Circuit Board	SPACER (OS U 2/2)	S P A C E R シ ー ト U U, V, A, K, O		
* 145	WE834000	Circuit Board	SPACER (OS H 2/2)	S P A C E R シ ー ト H H, B, W		
150	WE877800	Bind Head Tapping Screw-S	Sタイト+BIND		2	01
160	--	Angle Bracket, AC Inlet	インレット金具	(WE28920)		
170	WE998100	Bind Head Tapping Screw-B	Bタイト+BIND		2	01
* 180	WF790100	Flat Fillister H.Tapping	Bタイト+平頭		4	
* 185	WF106500	Bind Head Screw	小ネジ+BIND			
* 187	WE994800	Bind Head Tapping Screw-S	Sタイト+BIND			
190	WE877900	Bind Head Tapping Screw-S	Sタイト+BIND		2	01
192	V3272800	Cord Holder	T18R TYTIN CO.	インシュロックタイ		
194	--	Spacer	スペーサー	(X6977A0)		
* 240	WD937100	Front Frame	フロントフレーム			
242	--	Sheet	パネルグランドシート	(WE76660)	2	
* 250	WE231200	Front Panel	フロントパネル印刷上り			
260	WF268000	Bind Head Tapping Screw-P	Pタイト+BIND		10	01
270	WD345400	Holder	P Sホルダー			
* 280	WD945300	Circuit Board	SW (MIX 2/2)	S W シ ー ト		
290	WE877900	Bind Head Tapping Screw-S	Sタイト+BIND		2	01
300	WF419300	Hex. Socket Set Screw	Sタイト六角孔付き		2	
310	WD345700	Power Switch Escutcheon	P S Wエスカッション			01
320	WD345600	Power Switch Knob	P S Wノブ	POWER ON/OFF		01
* 330	WD943300	Circuit Board	MIX (MIX 1/2)	M I X シ ー ト		
* 340	WF776700	Button Milky/D-Gray	PFL	ボ タ ン P F L	PHANTOM, YSP, STAND-BY	3
* 350	WD943500	Circuit Board	JACK	J A C K シ ー ト		
* 370	WD942200	Knob Black	ノブ継ぎ手HPF	LINE/MIC (CH1-4)	4	
* 380	WD939600	Hexagonal Spacer	L=16	六角スペーサーM3	6	
* 390	WE092800	Hexagonal Spacer	L=7.5	六角スペーサーM3	3	
400	WE877900	Bind Head Tapping Screw-S	3x6 MFZN2W3	Sタイト+BIND		01
* 410	WE980200	Bind Head Tapping Screw-S	3x5 MFZN2W3	Sタイト+BIND		
420	--	Shield	シールドDSP	(WE05000)		
430	WE877900	Bind Head Tapping Screw-S	3x6 MFZN2W3	Sタイト+BIND	2	01
* 440	WD943600	Circuit Board	DSP	D S P シ ー ト		
450	WE877900	Bind Head Tapping Screw-S	3x6 MFZN2W3	Sタイト+BIND	4	01
460	--	Cover, DSP	カバーDSP	(WC31660)		
* 470	WE980200	Bind Head Tapping Screw-S	3x5 MFZN2W3	Sタイト+BIND	2	
480	--	Jumper Wire	ジャンパーリード	(WE25580)		
490	WF419300	Hex. Socket Set Screw	3x6 MFZN2B3	Sタイト六角孔付き	12	
500	WE878000	Bonding Tapping Screw-B	3x10 MFZN2B3	Bタイト+BOND	18	01
* 510	WF001000	Bind Head Tapping Screw-P	3x10 MFZN2W3	Pタイト+BIND	14	
* 511	WF514300	Hexagonal Spacer		六角スペーサーM3	2	
* 512	WF514400	Hexagonal Spacer		六角スペーサーM3	2	
513	--	Shield Plate	シールドプレートH	(WF51630)		
* 514	WF572000	Bonding Tapping Screw-S	3x6 MFZN2W3	Sタイト+BOND	4	
520	V9665300	Knob Green/M-Gray	S	ノブV R(S)	24	01
530	V9665400	Knob Blue/M-Gray	S	ノブV R(S)	8	01
540	V9665200	Knob White/M-Gray	S	ノブV R(S)	11	01

*: New Parts

RANK: Japan only

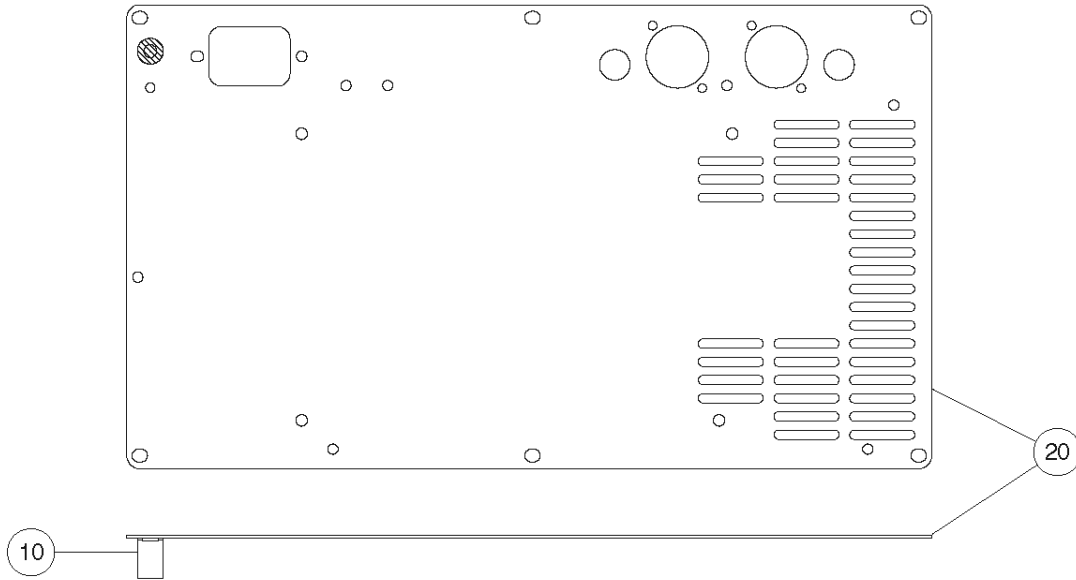
REF NO.	PART NO.	DESCRIPTION	部 品 名	REMARKS	QTY	RANK
560	WA009900	Knob White/M-Gray	ノブ L E V E L	EFFECT RTN (MONITOR, MAIN)	8	01
570	WA010000	Knob Red/M-Gray	ノブ L E V E L	LEVEL (GH1-12)	2	01
580	WD346300	Button	ボ タ ン T A P	EFFECT RTN ON		
600	WD233000	Knob Black	ノブ S E L E C T 色上	PROGRAM		03
* 610	WF776200	Button D-Gray/White	HPL	ボ タ ン H P F	4	
* 620	WD938400	Body		ボ タ ン デ ィ		
621	--	Rear Grounding Bracket		リアグラウンド金具	2	(WE94220)
622	--	Rear Grounding Bracket		リアグラウンド金具	2	(WE94230)
623	--	Case		サブ風防ケース		(WD94250)
624	WE877900	Bind Head Tapping Screw-S	3x6 MFZN2W3	S タ イ ト + B I N D	5	01
625	WC521600	Fan	CD85NJ200010	D C フ ァ ン		06
* 627	WF105900	Bind Head Screw	4x30 MFZN2W3	小 ネ ジ + B I N D	2	
628	WE968500	Bind Head Screw	4x8 MFZN2W3	小 ネ ジ + B I N D	4	01
* 630	WE980800	Bind Head Tapping Screw-P	4x16 MFZN2B3	P タ イ ト + B I N D	6	
* 635	WD949100	Circuit Board	PS	P S シ ー ト J		
* 635	WD949200	Circuit Board	PS	P S シ ー ト U		U, V
* 635	WD949300	Circuit Board	PS	P S シ ー ト H		H, B, W, K, O
* 635	WD949400	Circuit Board	PS	P S シ ー ト A		A
* 640	WF001000	Bind Head Tapping Screw-P	3x10 MFZN2W3	P タ イ ト + B I N D	6	
642	V3272800	Cord Holder	T18R TYTIN CO.	インシュロックタイ	5	
* 690	WG158600	Bind Head Tapping Screw-P	5x25 MFZN2W3	P タ イ ト + B I N D	8	
691	V3122900	Ferrite Core	K1 NFT-13BK2	データラインフィルタ		06
691	VD947800	Ferrite Core	ESD-R-25D-B	データラインフィルタ		05
700	--	Label, Name Plate		ラベルメイバン J		(WE29290)
700	--	Label, Name Plate		ラベルメイバン U		(WE29310)
700	--	Label, Name Plate		ラベルメイバン H		(WE29330)
700	--	Label, Name Plate		ラベルメイバン A		(WE29380)
700	--	Label, Name Plate		ラベルメイバン K		(WE29350)
700	--	Label, Name Plate		ラベルメイバン CHN		(WE29390)
		ACCESSORIES		付 属 品		EMX212S
⚠	WD176200	AC Cord	J 3x0.75	電 源 コ ー ド J		06
⚠	WC249500	AC Cord	UC SJT 18/3	電 源 コ ー ド U, V		05
⚠	WC249600	AC Cord	E H05VV-F 3x1.0	電 源 コ ー ド H, W, A, K		05
⚠	WC249700	AC Cord	B H05VV-F 3x1.0	電 源 コ ー ド B		06
⚠	WD296400	AC Cord	1 VCTF 0.75x3	電 源 コ ー ド O		06
* 691	WF763100	Stabilizer Assembly		スタビ As s'y		
	WA127600	Speaker Cable	CA-8068-500-BLA	スピーカケーブル	2	05

*: New Parts

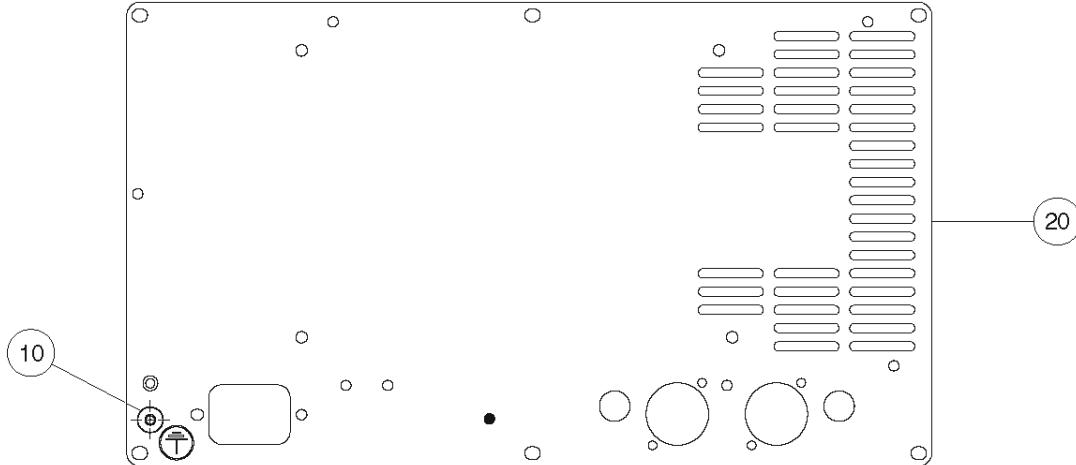
RANK: Japan only

REAR PANEL ASSEMBLY (リアパネル Ass'y)

Front View (表面図)



Back View (裏面図)



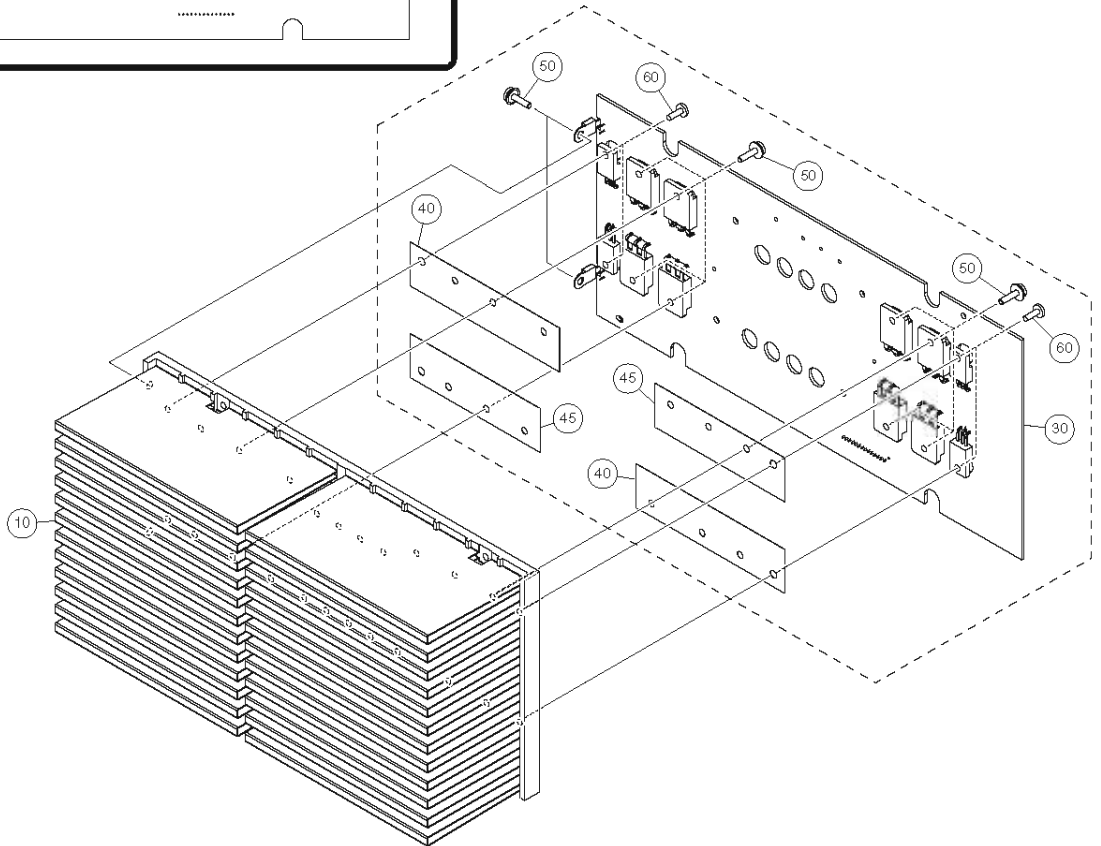
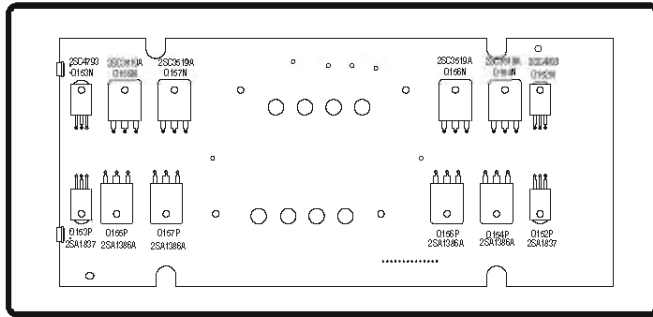
REF NO.	PART NO.	DESCRIPTION	部 品 名	REMARKS	QTY	RANK
*	WE283500	Rear Panel	リアパネル印刷上り			
	--	Rear Panel Assembly	リアパネル Ass'y	(WE21950)		
10	--	Support	GNDカシメ支柱	(WF52960)		
*	WD942300	Rear Panel	リアパネル			

*: New Parts

RANK: Japan only

■ POWER AMPLIFIER UNIT (パワーアンプユニット)

③〇 Details on PA Circuit Board (シートPA詳細)

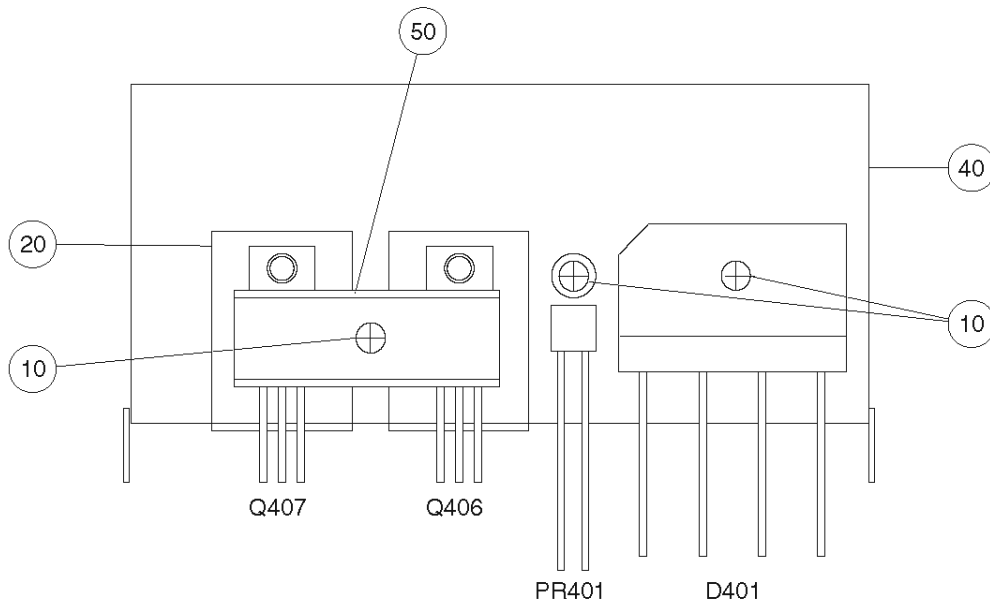


REF NO.	PART NO.	DESCRIPTION	部 品 名	REMARKS	QTY	RANK
* 10	WE523300	Power Amplifier Unit	パワーアンプユニット			
	--	Heat Sink	ヒートシンク	(WD94300)		
30	--	Circuit Board	PA	(WE74200)		
* 40	WE694200	Radiation Sheet	WHITE	放熱シートC	2	
* 45	WE694300	Radiation Sheet	WHITE	放熱シートD	2	
50	VB763800	Bind Head Screw	3x12 MFZN2Y	+ バインド小ネジ	10	01
60	EP600190	Bind Head Tapping Screw-B	3x8 MFZN2BL	+ バインドBタイト	4	01
Q152N	VQ547300	Transistor	2SC4793 (HFE)	トランジスタ		03
Q152P	VQ547200	Transistor	2SA1837 (HFE)	トランジスタ		03
Q153N	VQ547300	Transistor	2SC4793 (HFE)	トランジスタ		03
Q153P	VQ547200	Transistor	2SA1837 (HFE)	トランジスタ		03
Q154N	V5611000	Pair Transistor	A1386A/C3519A	ペアトランジスタ		05
Q154P	V5611000	Pair Transistor	A1386A/C3519A	ペアトランジスタ		05
Q155N	V5611000	Pair Transistor	A1386A/C3519A	ペアトランジスタ		05
Q155P	V5611000	Pair Transistor	A1386A/C3519A	ペアトランジスタ		05
Q156N	V5611000	Pair Transistor	A1386A/C3519A	ペアトランジスタ		05
Q156P	V5611000	Pair Transistor	A1386A/C3519A	ペアトランジスタ		05
Q157N	V5611000	Pair Transistor	A1386A/C3519A	ペアトランジスタ		05
Q157P	V5611000	Pair Transistor	A1386A/C3519A	ペアトランジスタ		05

*: New Parts

RANK: Japan only

■ HEAT SINK UNIT L100 (ヒートシンクユニットL100)



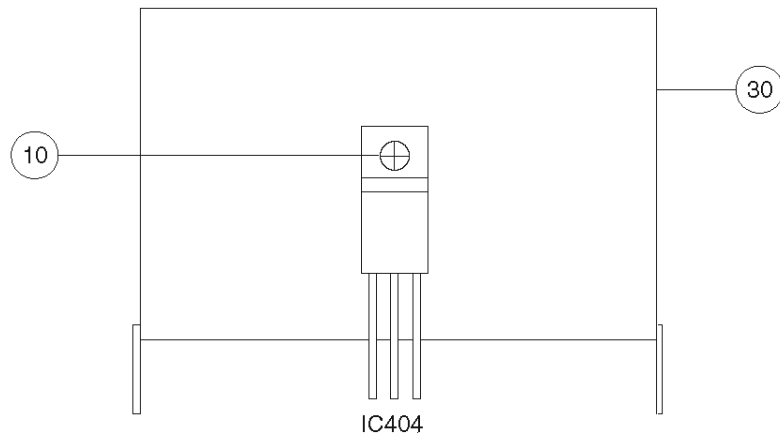
REF NO.	PART NO.	DESCRIPTION	部 品 名	REMARKS	QTY	RANK
	--	Heat Sink Unit	L100	ヒートシンクユニット	(WF62610)	
10	WE952900	Bind Head Screw	3x10 MFZN2W3	小ネジ+BIND		3 01
20	WB448600	Radiation Sheet	RSI T=0.07	放熱シート		2 01
30	--	Silicone Grease	X-113A G746	シリコングリス	(VA79810)	
40	--	Heat Sink	TIPE3 : L100	ヒートシンク	(WE15330)	
50	--	Transistor Holder		TRホルダー	(WE78280)	
△	D401	V2261600	Diode Bridge	ダイオードブリッジ		04
	PR401	VM850600	Positive Thermistor	ポジスタ		04
*	Q406	WD886500	IGBT	IGBT		
*	Q407	WD886500	IGBT	IGBT		

*: New Parts

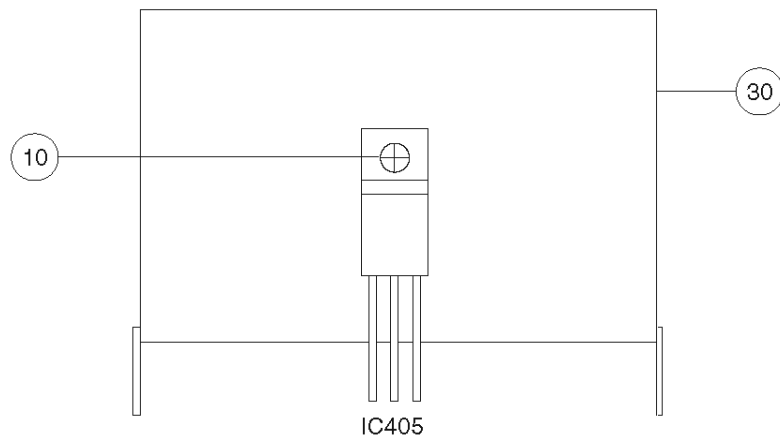
RANK: Japan only

■ HEAT SINK UNIT L70 (ヒートシンクユニットL70)

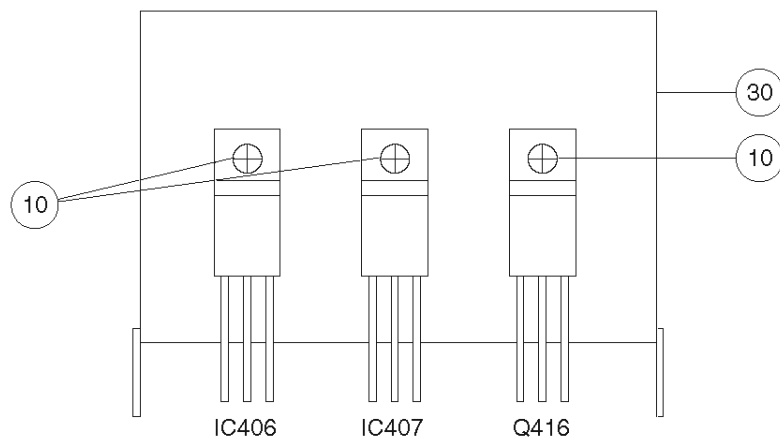
• Upper Side (上段部)



• Middle (中段部)



• Lower Side (下段部)



EMX212S

REF NO.	PART NO.	DESCRIPTION	部 品 名	REMARKS	QTY	RANK
10	---	Heat Sink Unit	L70	ヒートシンクユニット	Upper (WF62670)	
20	WE952900	Bind Head Screw	3x10 MFZN2W3	小ネジ + B I N D		2 01
30	---	Silicone Grease	X-113A G746	シリコングリス	(VA79810)	
IC404	---	Heat Sink	TIPE2 : L70	ヒートシンク	(WE15900)	
	XD853A00	IC	NJM7815FA	I C	REGULATOR +15V	03
10	---	Heat Sink Unit	L70	ヒートシンクユニット	Middle (WF62680)	
20	WE952900	Bind Head Screw	3x10 MFZN2W3	小ネジ + B I N D		01
30	---	Silicone Grease	X-113A G746	シリコングリス	(VA79810)	
IC405	---	Heat Sink	TIPE2 : L70	ヒートシンク	(WE15900)	
	XD854A00	IC	NJM7915FA	I C	REGULATOR -15V	03
10	---	Heat Sink Unit	L70	ヒートシンクユニット	Lower (WF62690)	
20	WE952900	Bind Head Screw	3x10 MFZN2W3	小ネジ + B I N D		3 01
30	---	Silicone Grease	X-113A G746	シリコングリス	(VA79810)	
IC406	---	Heat Sink	TIPE2 : L70	ヒートシンク	(WE15900)	
IC406	XJ602A00	IC	NJM78M12FA	I C	REGULATOR +12V	02
IC407	XJ604A00	IC	NJM78M05FA	I C	REGULATOR +5V	02
Q416	VS883400	Transistor	2SD2394 E, F ST	トランジスタ		02

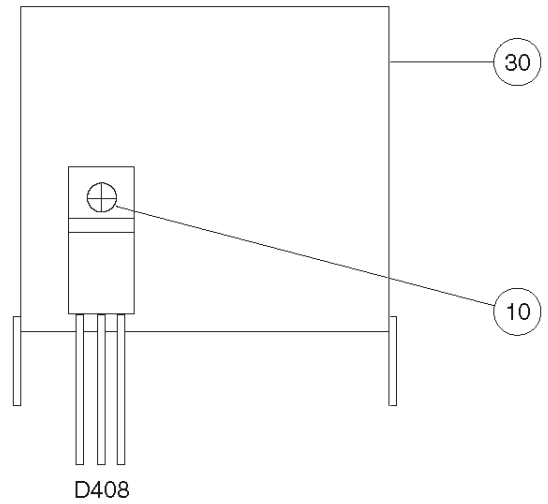
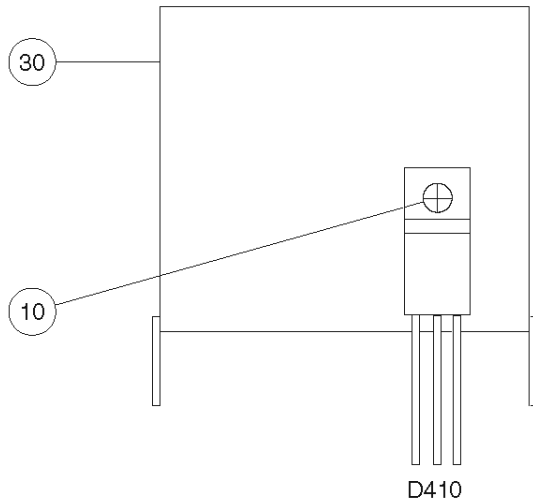
*: New Parts

RANK: Japan only

■ HEAT SINK UNIT L50 (ヒートシンクユニットL50)

• Upper Side (上段)

• Lower Side (下段)



REF NO.	PART NO.	DESCRIPTION	部 品 名	REMARKS	QTY	RANK
10	WE952900	Heat Sink Unit	L50	ヒートシンクユニット	Upper (WF62640)	01
20	--	Bind Head Screw	3x10 MFZN2W3	小ネジ+BIND		
30	--	Silicone Grease	X-113A G746	シリコングリス	(VA79810)	
30	--	Heat Sink	TIPE1 : L55	ヒートシンク	(WE15890)	
△ *	D410	WD886200	Diode Stack	FMU-22S 10A 200V	ダイオードスタック	
10	WE952900	Heat Sink Unit	L50	ヒートシンクユニット	Lower (WF62650)	01
20	--	Bind Head Screw	3x10 MFZN2W3	小ネジ+BIND		
30	--	Silicone Grease	X-113A G746	シリコングリス	(VA79810)	
30	--	Heat Sink	TIPE1 : L55	ヒートシンク	(WE15890)	
△ *	D408	WD886300	Diode Stack	FMU-22R 10A 200V	ダイオードスタック	

*: New Parts

RANK: Japan only

■ ELECTRICAL PARTS (電気部品)

REF NO.	PART NO.	DESCRIPTION	部 品 名	REMARKS	QTY	RANK
*	WD943600	Circuit Board	DSP	D S P シ ー ト	(WD94390) (X5022C0)	
*	WD943500	Circuit Board	JACK	J A C K シ ー ト	(X5969C0)	
*	WD943300	Circuit Board	MIX (MIX 1/2)	M I X シ ー ト	(WD94320) (X5967C0)	
*	WD945300	Circuit Board	SW (MIX 2/2)	S W シ ー ト	(WD94320) (X5967C0)	
*	WE842700	Circuit Board	OUT (OS J 1/2)	O U T シ ー ト J	(WE83470) (X6384D0)	
*	WE842800	Circuit Board	OUT (OS U 1/2)	O U T シ ー ト U	U, V, A, K, O (WE83480) (X6384D0)	
*	WE842900	Circuit Board	OUT (OS H 1/2)	O U T シ ー ト H	H, B, W (WE83490) (X6384D0)	
*	WE833800	Circuit Board	SPACER (OS J 2/2)	S P A C E R シ ー ト J	(WE83470) (X6384D0)	
*	WE833900	Circuit Board	SPACER (OS U 2/2)	S P A C E R シ ー ト U	U, V, A, K, O (WE83480) (X6384D0)	
*	WE834000	Circuit Board	SPACER (OS H 2/2)	S P A C E R シ ー ト H	H, B, W (WE83490) (X6384D0)	
*	--	Circuit Board	PA	P A シ ー ト	(WE74200) (X5971C0)	
*	WD949100	Circuit Board	PS	P S シ ー ト J	(X5978C0)	
*	WD949200	Circuit Board	PS	P S シ ー ト U	U, V (X5978C0)	
*	WD949300	Circuit Board	PS	P S シ ー ト H	H, B, W, K, O (X5978C0)	
*	WD949400	Circuit Board	PS	P S シ ー ト A	A (X5978C0)	
*	WD943600	Circuit Board	DSP	D S P シ ー ト	(WD94390) (X5022C0)	
CM01	US064100	Ceramic Capacitor-B (chip)	0.01 50V K	チ ッ プ セ ラ (B)		01
CM04	US064100	Ceramic Capacitor-B (chip)	0.01 50V K	チ ッ プ セ ラ (B)		01
-07	US064100	Ceramic Capacitor-B (chip)	0.01 50V K	チ ッ プ セ ラ (B)		01
CM08	UF037100	Electrolytic Cap. (chip)	10 16V	チ ッ プ ケ ミ コ ン		01
CM09	UF028100	Electrolytic Cap. (chip)	100 10V	チ ッ プ ケ ミ コ ン		01
CM11	US035100	Ceramic Capacitor-B (chip)	0.1 16V K	チ ッ プ セ ラ (B)		01
-13	US035100	Ceramic Capacitor-B (chip)	0.1 16V K	チ ッ プ セ ラ (B)		01
CM14	UF066220	Electrolytic Cap. (chip)	2.2 50V	チ ッ プ ケ ミ コ ン		01
CM15	UF037100	Electrolytic Cap. (chip)	10 16V	チ ッ プ ケ ミ コ ン		01
CM16	UF037100	Electrolytic Cap. (chip)	10 16V	チ ッ プ ケ ミ コ ン		01
CM17	US035100	Ceramic Capacitor-B (chip)	0.1 16V K	チ ッ プ セ ラ (B)		01
-20	US035100	Ceramic Capacitor-B (chip)	0.1 16V K	チ ッ プ セ ラ (B)		01
CM21	US062100	Ceramic Capacitor-SL(chip)	100P 50V J	チ ッ プ セ ラ (S L)		01
CM22	US035100	Ceramic Capacitor-B (chip)	0.1 16V K	チ ッ プ セ ラ (B)		01
CM23	US035100	Ceramic Capacitor-B (chip)	0.1 16V K	チ ッ プ セ ラ (B)		01
CM24	UF028100	Electrolytic Cap. (chip)	100 10V	チ ッ プ ケ ミ コ ン		01
CM25	UF028100	Electrolytic Cap. (chip)	100 10V	チ ッ プ ケ ミ コ ン		01
CM26	US063470	Ceramic Capacitor-B (chip)	4700P 50V K	チ ッ プ セ ラ (B)		01
CM27	US062220	Ceramic Capacitor-SL(chip)	220P 50V J	チ ッ プ セ ラ (S L)		01
CM28	UF028100	Electrolytic Cap. (chip)	100 10V	チ ッ プ ケ ミ コ ン		01
CM29	US035100	Ceramic Capacitor-B (chip)	0.1 16V K	チ ッ プ セ ラ (B)		01
CM31	US035100	Ceramic Capacitor-B (chip)	0.1 16V K	チ ッ プ セ ラ (B)		01
CM32	US035100	Ceramic Capacitor-B (chip)	0.1 16V K	チ ッ プ セ ラ (B)		01
CM34	UF037100	Electrolytic Cap. (chip)	10 16V	チ ッ プ ケ ミ コ ン		01
CM35	US035100	Ceramic Capacitor-B (chip)	0.1 16V K	チ ッ プ セ ラ (B)		01
CM36	US035100	Ceramic Capacitor-B (chip)	0.1 16V K	チ ッ プ セ ラ (B)		01
CM37	UF037100	Electrolytic Cap. (chip)	10 16V	チ ッ プ ケ ミ コ ン		01
CM38	US035100	Ceramic Capacitor-B (chip)	0.1 16V K	チ ッ プ セ ラ (B)		01
CM40	US035100	Ceramic Capacitor-B (chip)	0.1 16V K	チ ッ プ セ ラ (B)		01
-42	US035100	Ceramic Capacitor-B (chip)	0.1 16V K	チ ッ プ セ ラ (B)		01
CM43	UF037100	Electrolytic Cap. (chip)	10 16V	チ ッ プ ケ ミ コ ン		01
CM45	UF037100	Electrolytic Cap. (chip)	10 16V	チ ッ プ ケ ミ コ ン		01
CM47	UF037100	Electrolytic Cap. (chip)	10 16V	チ ッ プ ケ ミ コ ン		01
CM48	UF037100	Electrolytic Cap. (chip)	10 16V	チ ッ プ ケ ミ コ ン		01
CM50	UA653150	Mylar Capacitor	1500P 50V J	マ イ ラ ー コ ン		01
CM51	UA653150	Mylar Capacitor	1500P 50V J	マ イ ラ ー コ ン		01
CM52	UF037100	Electrolytic Cap. (chip)	10 16V	チ ッ プ ケ ミ コ ン		01
CM53	US064100	Ceramic Capacitor-B (chip)	0.01 50V K	チ ッ プ セ ラ (B)		01
CM54	US035100	Ceramic Capacitor-B (chip)	0.1 16V K	チ ッ プ セ ラ (B)		01
CM55	US035100	Ceramic Capacitor-B (chip)	0.1 16V K	チ ッ プ セ ラ (B)		01
CM56	US062180	Ceramic Capacitor-SL(chip)	180P 50V J	チ ッ プ セ ラ (S L)		01
CM57	US062180	Ceramic Capacitor-SL(chip)	180P 50V J	チ ッ プ セ ラ (S L)		01
CM58	US035100	Ceramic Capacitor-B (chip)	0.1 16V K	チ ッ プ セ ラ (B)		01
CM60	US064100	Ceramic Capacitor-B (chip)	0.01 50V K	チ ッ プ セ ラ (B)		01
CM61	UF037100	Electrolytic Cap. (chip)	10 16V	チ ッ プ ケ ミ コ ン		01
CM62	UF037470	Electrolytic Cap. (chip)	47 16V	チ ッ プ ケ ミ コ ン		01

*: New Parts

RANK: Japan only

REF NO.	PART NO.	DESCRIPTION	部 品 名	REMARKS	QTY	RANK
CM63	UF037470	Electrolytic Cap. (chip)	47 16V	チ ッ プ ケ ミ コ ン		01
CM64	US062100	Ceramic Capacitor-SL(chip)	100P 50V J	チ ッ プ セ ラ(S L)		01
CM65	US062100	Ceramic Capacitor-SL(chip)	100P 50V J	チ ッ プ セ ラ(S L)		01
CM70	US035100	Ceramic Capacitor-B (chip)	0.1 16V K	チ ッ プ セ ラ(B)		01
CM72	US035100	Ceramic Capacitor-B (chip)	0.1 16V K	チ ッ プ セ ラ(B)		01
CM73	US035100	Ceramic Capacitor-B (chip)	0.1 16V K	チ ッ プ セ ラ(B)		01
CM74	US064100	Ceramic Capacitor-B (chip)	0.01 50V K	チ ッ プ セ ラ(B)		01
CM75	US062100	Ceramic Capacitor-SL(chip)	100P 50V J	チ ッ プ セ ラ(S L)		01
CM76	US062150	Ceramic Capacitor-SL(chip)	150P 50V J	チ ッ プ セ ラ(S L)		01
CM79	US064100	Ceramic Capacitor-B (chip)	0.01 50V K	チ ッ プ セ ラ(B)		01
-81	US064100	Ceramic Capacitor-B (chip)	0.01 50V K	チ ッ プ セ ラ(B)		01
CM82	US035100	Ceramic Capacitor-B (chip)	0.1 16V K	チ ッ プ セ ラ(B)		01
-85	US035100	Ceramic Capacitor-B (chip)	0.1 16V K	チ ッ プ セ ラ(B)		01
* CNM02	WD961800	Pin Header	PHA202-1002-A04	ピ ン ヘ ッ ダ ー		
CNM03	VB858300	Connector Base Post	PH 4P SE	コ ネ ク タ ベ ー ス ポ ス ト		01
EMM01	WA093400	LC Filter	ZJSR5101-223TA-01	LC フィ ル タ ー E M I		01
-05	WA093400	LC Filter	ZJSR5101-223TA-01	LC フィ ル タ ー E M I		01
ICM03	X0165A00	IC	PST596DNR	I C	SYSTEM RESET	02
ICM04	X5219A00	IC	AK5381VT-E2	I C	ADC	05
ICM05	X3679A00	IC	RH5RZ25CA-T1-F	I C	REGULATOR +2.5V	03
ICM06	X0638A00	IC	UPC2933AT-E1-AZ	I C	REGULATOR +3.3V	03
ICM07	X6055A00	IC	YMW767-VTZ	I C	CPU	10
ICM08	X3538A00	IC	PCM1742KEG/2K	I C	DAC	05
ICM09	X3505A00	IC	NJM2068M-D (TE2)	I C	OP AMP	02
* ICM10	X5922A00	IC	MX23L8103TC-90G	I C	MASK ROM 8M	
ICM11	X3505A00	IC	NJM2068M-D (TE2)	I C	OP AMP	02
LM03	VY657200	Chip Inductance	600 BK1608HM601	チ ッ プ イ ン ダ ク タ		01
LM04	VY657200	Chip Inductance	600 BK1608HM601	チ ッ プ イ ン ダ ク タ		01
QM01	VV655400	Digital Transistor	DTC114EKA	デ ジ タ ル ト ラ ン ジ ス タ		01
QM02	VV655000	Digital Transistor	DTA114EKA	デ ジ タ ル ト ラ ン ジ ス タ		01
QM04	VD303700	Transistor	2SC3326 A, B TE85R	ト ラ ン ジ ス タ		01
QM05	VD303700	Transistor	2SC3326 A, B TE85R	ト ラ ン ジ ス タ		01
RM01	RD357100	Carbon Resistor (chip)	10K 1/16W J	チ ッ プ 抵 抗		01
RM03	RD356100	Carbon Resistor (chip)	1.0K 1/16W J	チ ッ プ 抵 抗		01
RM04	RD355100	Carbon Resistor (chip)	100 1/16W J	チ ッ プ 抵 抗		01
RM05	RD356100	Carbon Resistor (chip)	1.0K 1/16W J	チ ッ プ 抵 抗		01
-08	RD356100	Carbon Resistor (chip)	1.0K 1/16W J	チ ッ プ 抵 抗		01
RM13	RD357100	Carbon Resistor (chip)	10K 1/16W J	チ ッ プ 抵 抗		01
RM14	RD355100	Carbon Resistor (chip)	100 1/16W J	チ ッ プ 抵 抗		01
RM17	RD357100	Carbon Resistor (chip)	10K 1/16W J	チ ッ プ 抵 抗		01
-20	RD357100	Carbon Resistor (chip)	10K 1/16W J	チ ッ プ 抵 抗		01
RM21	RD356470	Carbon Resistor (chip)	4.7K 1/16W J	チ ッ プ 抵 抗		01
RM22	RD354470	Carbon Resistor (chip)	47 1/16W J	チ ッ プ 抵 抗		01
RM23	RD355470	Carbon Resistor (chip)	470 1/16W J	チ ッ プ 抵 抗		01
RM24	RD356100	Carbon Resistor (chip)	1.0K 1/16W J	チ ッ プ 抵 抗		01
RM25	RD358220	Carbon Resistor (chip)	220K 1/16W J	チ ッ プ 抵 抗		01
RM28	RD356560	Carbon Resistor (chip)	5.6K 1/16W J	チ ッ プ 抵 抗		01
RM33	RD354470	Carbon Resistor (chip)	47 1/16W J	チ ッ プ 抵 抗		01
-36	RD354470	Carbon Resistor (chip)	47 1/16W J	チ ッ プ 抵 抗		01
RM37	RD356100	Carbon Resistor (chip)	1.0K 1/16W J	チ ッ プ 抵 抗		01
RM38	RD356560	Carbon Resistor (chip)	5.6K 1/16W J	チ ッ プ 抵 抗		01
RM39	RD356560	Carbon Resistor (chip)	5.6K 1/16W J	チ ッ プ 抵 抗		01
RM40	RD356330	Carbon Resistor (chip)	3.3K 1/16W J	チ ッ プ 抵 抗		01
RM41	RD356330	Carbon Resistor (chip)	3.3K 1/16W J	チ ッ プ 抵 抗		01
RM42	RD357360	Carbon Resistor (chip)	36K 1/16W J	チ ッ プ 抵 抗		01
RM43	RD357360	Carbon Resistor (chip)	36K 1/16W J	チ ッ プ 抵 抗		01
RM60	RD357100	Carbon Resistor (chip)	10K 1/16W J	チ ッ プ 抵 抗		01
RM61	RD357100	Carbon Resistor (chip)	10K 1/16W J	チ ッ プ 抵 抗		01
RM62	RD356100	Carbon Resistor (chip)	1.0K 1/16W J	チ ッ プ 抵 抗		01
RM63	RD356100	Carbon Resistor (chip)	1.0K 1/16W J	チ ッ プ 抵 抗		01
RM64	RD358100	Carbon Resistor (chip)	100K 1/16W J	チ ッ プ 抵 抗		01
RM65	RD358100	Carbon Resistor (chip)	100K 1/16W J	チ ッ プ 抵 抗		01
RM80	RD357100	Carbon Resistor (chip)	10K 1/16W J	チ ッ プ 抵 抗		01
RM81	RD356100	Carbon Resistor (chip)	1.0K 1/16W J	チ ッ プ 抵 抗		01
RM82	RD357360	Carbon Resistor (chip)	36K 1/16W J	チ ッ プ 抵 抗		01
RM83	RD356560	Carbon Resistor (chip)	5.6K 1/16W J	チ ッ プ 抵 抗		01
RM84	RF357360	Carbon Resistor (chip)	36K 1/16W D	チ ッ プ 抵 抗		01
RM85	RF357220	Carbon Resistor (chip)	22K 1/16W D	チ ッ プ 抵 抗		01
RM86	RD357100	Carbon Resistor (chip)	10K 1/16W J	チ ッ プ 抵 抗		01
RM88	RD357100	Carbon Resistor (chip)	10K 1/16W J	チ ッ プ 抵 抗		01

*: New Parts

RANK: Japan only

REF NO.	PART NO.	DESCRIPTION	部 品 名	REMARKS	QTY	RANK
-92	RD357100	Carbon Resistor (chip)	10K 1/16W J	チ ッ プ 抵 抗		01
RMA2	RD357100	Carbon Resistor (chip)	10K 1/16W J	チ ッ プ 抵 抗		01
RMA3	RD357100	Carbon Resistor (chip)	10K 1/16W J	チ ッ プ 抵 抗		01
XM01	WA321100	Ceramic Resonator	16.9344M CSTCE16M9	セ ラ ミ ッ ク 振 動 子		02
*	WD943500	Circuit Board	JACK	J A C K シ ー ト	(X5969C0)	
	--	Jumper Wire	0.55 TIN	ジ ャ ン パ ー 線	(VA07890)	
C001	US062470	Ceramic Capacitor-SL(chip)	470P 50V J	チ ッ プ セ ラ(S L)		01
-008	US062470	Ceramic Capacitor-SL(chip)	470P 50V J	チ ッ プ セ ラ(S L)		01
C009	UR857470	Electrolytic Cap.	47 35V	ケ ミ コ ン		01
C014	UR867100	Electrolytic Cap.	10 50V	ケ ミ コ ン		01
-029	UR867100	Electrolytic Cap.	10 50V	ケ ミ コ ン		01
C033	US062470	Ceramic Capacitor-SL(chip)	470P 50V J	チ ッ プ セ ラ(S L)		01
-040	US062470	Ceramic Capacitor-SL(chip)	470P 50V J	チ ッ プ セ ラ(S L)		01
C042	US062470	Ceramic Capacitor-SL(chip)	470P 50V J	チ ッ プ セ ラ(S L)		01
-045	US062470	Ceramic Capacitor-SL(chip)	470P 50V J	チ ッ プ セ ラ(S L)		01
C048	UR867100	Electrolytic Cap.	10 50V	ケ ミ コ ン		01
-051	UR867100	Electrolytic Cap.	10 50V	ケ ミ コ ン		01
C052	US062470	Ceramic Capacitor-SL(chip)	470P 50V J	チ ッ プ セ ラ(S L)		01
C053	US061150	Ceramic Capacitor-CH(chip)	15P 50V J	チ ッ プ セ ラ(C H)		01
C054	US062470	Ceramic Capacitor-SL(chip)	470P 50V J	チ ッ プ セ ラ(S L)		01
C055	US061150	Ceramic Capacitor-CH(chip)	15P 50V J	チ ッ プ セ ラ(C H)		01
C056	US062470	Ceramic Capacitor-SL(chip)	470P 50V J	チ ッ プ セ ラ(S L)		01
C057	US061150	Ceramic Capacitor-CH(chip)	15P 50V J	チ ッ プ セ ラ(C H)		01
C058	US062470	Ceramic Capacitor-SL(chip)	470P 50V J	チ ッ プ セ ラ(S L)		01
C059	US061150	Ceramic Capacitor-CH(chip)	15P 50V J	チ ッ プ セ ラ(C H)		01
C060	UR867100	Electrolytic Cap.	10 50V	ケ ミ コ ン		01
-063	UR867100	Electrolytic Cap.	10 50V	ケ ミ コ ン		01
C064	US062470	Ceramic Capacitor-SL(chip)	470P 50V J	チ ッ プ セ ラ(S L)		01
-067	US062470	Ceramic Capacitor-SL(chip)	470P 50V J	チ ッ プ セ ラ(S L)		01
C069	US061150	Ceramic Capacitor-CH(chip)	15P 50V J	チ ッ プ セ ラ(C H)		01
-072	US061150	Ceramic Capacitor-CH(chip)	15P 50V J	チ ッ プ セ ラ(C H)		01
C074	UR857470	Electrolytic Cap.	47 35V	ケ ミ コ ン		01
-077	UR857470	Electrolytic Cap.	47 35V	ケ ミ コ ン		01
C079	US064100	Ceramic Capacitor-B (chip)	0.01 50V K	チ ッ プ セ ラ(B)		01
C080	US064100	Ceramic Capacitor-B (chip)	0.01 50V K	チ ッ プ セ ラ(B)		01
C123	US064100	Ceramic Capacitor-B (chip)	0.01 50V K	チ ッ プ セ ラ(B)		01
C124	US064100	Ceramic Capacitor-B (chip)	0.01 50V K	チ ッ プ セ ラ(B)		01
C125	UR838100	Electrolytic Cap.	100 16V	ケ ミ コ ン		01
-128	UR838100	Electrolytic Cap.	100 16V	ケ ミ コ ン		01
C201	US062470	Ceramic Capacitor-SL(chip)	470P 50V J	チ ッ プ セ ラ(S L)		01
-204	US062470	Ceramic Capacitor-SL(chip)	470P 50V J	チ ッ プ セ ラ(S L)		01
C205	WF696400	Electrolytic Cap.	47 35V	ケ ミ コ ン		01
C207	UR867100	Electrolytic Cap.	10 50V	ケ ミ コ ン		01
-214	UR867100	Electrolytic Cap.	10 50V	ケ ミ コ ン		01
C215	US062100	Ceramic Capacitor-SL(chip)	100P 50V J	チ ッ プ セ ラ(S L)		01
-222	US062100	Ceramic Capacitor-SL(chip)	100P 50V J	チ ッ プ セ ラ(S L)		01
C223	US062470	Ceramic Capacitor-SL(chip)	470P 50V J	チ ッ プ セ ラ(S L)		01
-226	US062470	Ceramic Capacitor-SL(chip)	470P 50V J	チ ッ プ セ ラ(S L)		01
C227	UR867100	Electrolytic Cap.	10 50V	ケ ミ コ ン		01
-230	UR867100	Electrolytic Cap.	10 50V	ケ ミ コ ン		01
C235	US062470	Ceramic Capacitor-SL(chip)	470P 50V J	チ ッ プ セ ラ(S L)		01
C236	US061100	Ceramic Capacitor-CH(chip)	10P 50V D	チ ッ プ セ ラ(C H)		01
C237	US062470	Ceramic Capacitor-SL(chip)	470P 50V J	チ ッ プ セ ラ(S L)		01
C238	US061100	Ceramic Capacitor-CH(chip)	10P 50V D	チ ッ プ セ ラ(C H)		01
C243	US061100	Ceramic Capacitor-CH(chip)	10P 50V D	チ ッ プ セ ラ(C H)		01
C244	US061100	Ceramic Capacitor-CH(chip)	10P 50V D	チ ッ プ セ ラ(C H)		01
C245	UR857470	Electrolytic Cap.	47 35V	ケ ミ コ ン		01
C246	UR857470	Electrolytic Cap.	47 35V	ケ ミ コ ン		01
C262	US064100	Ceramic Capacitor-B (chip)	0.01 50V K	チ ッ プ セ ラ(B)		01
C267	US064100	Ceramic Capacitor-B (chip)	0.01 50V K	チ ッ プ セ ラ(B)		01
C271	US064100	Ceramic Capacitor-B (chip)	0.01 50V K	チ ッ プ セ ラ(B)		01
C272	US064100	Ceramic Capacitor-B (chip)	0.01 50V K	チ ッ プ セ ラ(B)		01
C277	US064100	Ceramic Capacitor-B (chip)	0.01 50V K	チ ッ プ セ ラ(B)		01
C278	US064100	Ceramic Capacitor-B (chip)	0.01 50V K	チ ッ プ セ ラ(B)		01
C279	UR838100	Electrolytic Cap.	100 16V	ケ ミ コ ン		01
C280	UR838100	Electrolytic Cap.	100 16V	ケ ミ コ ン		01
C301	US062470	Ceramic Capacitor-SL(chip)	470P 50V J	チ ッ プ セ ラ(S L)		01
-304	US062470	Ceramic Capacitor-SL(chip)	470P 50V J	チ ッ プ セ ラ(S L)		01
C307	UR867100	Electrolytic Cap.	10 50V	ケ ミ コ ン		01

*: New Parts

RANK: Japan only

REF NO.	PART NO.	DESCRIPTION	部 品 名	REMARKS	QTY	RANK
-314	UR867100	Electrolytic Cap.	10 50V	ケ ミ コ ン		01
C315	US062100	Ceramic Capacitor-SL(chip)	100P 50V J	チ ッ プ セ ラ(S L)		01
-318	US062100	Ceramic Capacitor-SL(chip)	100P 50V J	チ ッ プ セ ラ(S L)		01
C319	US062470	Ceramic Capacitor-SL(chip)	470P 50V J	チ ッ プ セ ラ(S L)		01
-322	US062470	Ceramic Capacitor-SL(chip)	470P 50V J	チ ッ プ セ ラ(S L)		01
C323	US062100	Ceramic Capacitor-SL(chip)	100P 50V J	チ ッ プ セ ラ(S L)		01
-326	US062100	Ceramic Capacitor-SL(chip)	100P 50V J	チ ッ プ セ ラ(S L)		01
C331	UR867100	Electrolytic Cap.	10 50V	ケ ミ コ ン		01
-334	UR867100	Electrolytic Cap.	10 50V	ケ ミ コ ン		01
C335	US062470	Ceramic Capacitor-SL(chip)	470P 50V J	チ ッ プ セ ラ(S L)		01
C336	US061100	Ceramic Capacitor-CH(chip)	10P 50V D	チ ッ プ セ ラ(C H)		01
C337	US062470	Ceramic Capacitor-SL(chip)	470P 50V J	チ ッ プ セ ラ(S L)		01
C338	US061100	Ceramic Capacitor-CH(chip)	10P 50V D	チ ッ プ セ ラ(C H)		01
C343	US061100	Ceramic Capacitor-CH(chip)	10P 50V D	チ ッ プ セ ラ(C H)		01
C344	US061100	Ceramic Capacitor-CH(chip)	10P 50V D	チ ッ プ セ ラ(C H)		01
C345	UR857470	Electrolytic Cap.	47 35V	ケ ミ コ ン		01
C346	UR857470	Electrolytic Cap.	47 35V	ケ ミ コ ン		01
C361	US064100	Ceramic Capacitor-B (chip)	0.01 50V K	チ ッ プ セ ラ(B)		01
C365	US064100	Ceramic Capacitor-B (chip)	0.01 50V K	チ ッ プ セ ラ(B)		01
C370	US064100	Ceramic Capacitor-B (chip)	0.01 50V K	チ ッ プ セ ラ(B)		01
C371	US064100	Ceramic Capacitor-B (chip)	0.01 50V K	チ ッ プ セ ラ(B)		01
C375	US064100	Ceramic Capacitor-B (chip)	0.01 50V K	チ ッ プ セ ラ(B)		01
C376	US064100	Ceramic Capacitor-B (chip)	0.01 50V K	チ ッ プ セ ラ(B)		01
C379	UR838100	Electrolytic Cap.	100 16V	ケ ミ コ ン		01
C380	UR838100	Electrolytic Cap.	100 16V	ケ ミ コ ン		01
G401	UR857470	Electrolytic Cap.	47 35V	ケ ミ コ ン		01
G402	US063100	Ceramic Capacitor-B (chip)	1000P 50V K	チ ッ プ セ ラ(B)		01
-406	US063100	Ceramic Capacitor-B (chip)	1000P 50V K	チ ッ プ セ ラ(B)		01
* CN001	WD961200	Pin Header	PHA102-0302-A146	ピ ン ヘ ッ ダ ー		
* CN002	WD961200	Pin Header	PHA102-0302-A146	ピ ン ヘ ッ ダ ー		
* CN101	WD961200	Pin Header	PHA102-0302-A146	ピ ン ヘ ッ ダ ー		
* CN102	WD961200	Pin Header	PHA102-0302-A146	ピ ン ヘ ッ ダ ー		
* CN201	WD961200	Pin Header	PHA102-0302-A146	ピ ン ヘ ッ ダ ー		
* CN202	WD961200	Pin Header	PHA102-0302-A146	ピ ン ヘ ッ ダ ー		
* CN401	WD961400	Pin Header	PHA102-0702-A146	ピ ン ヘ ッ ダ ー		
* CN402	WD961300	Pin Header	PHA102-0502-A146	ピ ン ヘ ッ ダ ー		
EM401	WA093400	LC Filter	ZJSR5101-223TA-01	L C フィルター E M I		01
IC001	X3505A00	IC	NJM2068M-D (TE2)	I C	OP AMP	02
IC007	X3505A00	IC	NJM2068M-D (TE2)	I C	OP AMP	02
IC101	X3505A00	IC	NJM2068M-D (TE2)	I C	OP AMP	02
IC102	X3505A00	IC	NJM2068M-D (TE2)	I C	OP AMP	02
IC106	X3505A00	IC	NJM2068M-D (TE2)	I C	OP AMP	02
IC201	X3505A00	IC	NJM2068M-D (TE2)	I C	OP AMP	02
IC202	X3505A00	IC	NJM2068M-D (TE2)	I C	OP AMP	02
IC206	X3505A00	IC	NJM2068M-D (TE2)	I C	OP AMP	02
JK001	V9812900	Cannon Connector	JACK XLR-301J-A	キ ャ ノ ン コ ネ ク タ	INPUT B (CH1)	03
JK002	V9812600	Phone Jack	ST MSJ-064-20B B	ホ ー ン コ ネ ク タ	INPUT A (CH1)	01
JK003	V9812900	Cannon Connector	JACK XLR-301J-A	キ ャ ノ ン コ ネ ク タ	INPUT B (CH2)	03
JK004	V9812600	Phone Jack	ST MSJ-064-20B B	ホ ー ン コ ネ ク タ	INPUT A (CH2)	01
JK005	V9812900	Cannon Connector	JACK XLR-301J-A	キ ャ ノ ン コ ネ ク タ	INPUT B (CH3)	03
JK006	V9812600	Phone Jack	ST MSJ-064-20B B	ホ ー ン コ ネ ク タ	INPUT A (CH3)	01
JK007	V9812900	Cannon Connector	JACK XLR-301J-A	キ ャ ノ ン コ ネ ク タ	INPUT B (CH4)	03
JK008	V9812600	Phone Jack	ST MSJ-064-20B B	ホ ー ン コ ネ ク タ	INPUT A (CH4)	01
JK101	V9812900	Cannon Connector	JACK XLR-301J-A	キ ャ ノ ン コ ネ ク タ	MIC (CH5/6)	03
JK102	V9812600	Phone Jack	ST MSJ-064-20B B	ホ ー ン コ ネ ク タ	LINE L (MONO) (CH5/6)	01
JK103	V9812600	Phone Jack	ST MSJ-064-20B B	ホ ー ン コ ネ ク タ	LINE R (CH5/6)	01
JK104	V9812900	Cannon Connector	JACK XLR-301J-A	キ ャ ノ ン コ ネ ク タ	MIC (CH7/8)	03
JK105	V9812600	Phone Jack	ST MSJ-064-20B B	ホ ー ン コ ネ ク タ	LINE L (MONO) (CH7/8)	01
JK106	V9812600	Phone Jack	ST MSJ-064-20B B	ホ ー ン コ ネ ク タ	LINE R (CH7/8)	01
JK201	V9812900	Cannon Connector	JACK XLR-301J-A	キ ャ ノ ン コ ネ ク タ	MIC (CH9/10)	03
JK202	V9812900	Cannon Connector	JACK XLR-301J-A	キ ャ ノ ン コ ネ ク タ	MIC (CH11/12)	03
JK203	V9812800	Pin Jack	MSP-247H1-01 NI	ピ ン コ ネ ク タ 4 P	LINE L/R (CH9/10, 11/12)	02
JK401	V9812600	Phone Jack	ST MSJ-064-20B B	ホ ー ン コ ネ ク タ	MAIN OUT L (MONO)	01
JK402	V9812600	Phone Jack	ST MSJ-064-20B B	ホ ー ン コ ネ ク タ	MAIN OUT R	01
JK403	V9812600	Phone Jack	ST MSJ-064-20B B	ホ ー ン コ ネ ク タ	MONITOR OUT	01
JK404	V9812600	Phone Jack	ST MSJ-064-20B B	ホ ー ン コ ネ ク タ	EFFECT OUT	01
JK405	V9812600	Phone Jack	ST MSJ-064-20B B	ホ ー ン コ ネ ク タ	FOOT SW (EFFECT ON/OFF)	01
JK406	WC295700	Pin Jack	MSP-532HV1-01 NI	ピ ン コ ネ ク タ 2 P	REC OUT	01
K001	WC533400	GND Plate	MLA8	ブ レ ー ト G N D		
K002	WC533400	GND Plate	MLA8	ブ レ ー ト G N D		

*: New Parts

RANK: Japan only

REF NO.	PART NO.	DESCRIPTION	部 品 名	REMARKS	QTY	RANK
R001	RD358100	Carbon Resistor (chip)	100K 1/16W J	チ ッ プ 抵 抗		01
R005	RF358220	Carbon Resistor (chip)	220K 1/16W D	チ ッ プ 抵 抗		01
-008	RF358220	Carbon Resistor (chip)	220K 1/16W D	チ ッ プ 抵 抗		01
R009	HB026240	Metal Film Resistor	2.4K 1/4W F	金 属 被 膜 抵 抗		01
-012	HB026240	Metal Film Resistor	2.4K 1/4W F	金 属 被 膜 抵 抗		01
R013	RF358220	Carbon Resistor (chip)	220K 1/16W D	チ ッ プ 抵 抗		01
-016	RF358220	Carbon Resistor (chip)	220K 1/16W D	チ ッ プ 抵 抗		01
R017	HB026240	Metal Film Resistor	2.4K 1/4W F	金 属 被 膜 抵 抗		01
R018	RF356240	Carbon Resistor (chip)	2.4K 1/16W D	チ ッ プ 抵 抗		01
R019	RF356240	Carbon Resistor (chip)	2.4K 1/16W D	チ ッ プ 抵 抗		01
R020	HB026240	Metal Film Resistor	2.4K 1/4W F	金 属 被 膜 抵 抗		01
R021	RF356240	Carbon Resistor (chip)	2.4K 1/16W D	チ ッ プ 抵 抗		01
R022	RF356240	Carbon Resistor (chip)	2.4K 1/16W D	チ ッ プ 抵 抗		01
R023	HB026240	Metal Film Resistor	2.4K 1/4W F	金 属 被 膜 抵 抗		01
R024	RF356240	Carbon Resistor (chip)	2.4K 1/16W D	チ ッ プ 抵 抗		01
R025	RF356240	Carbon Resistor (chip)	2.4K 1/16W D	チ ッ プ 抵 抗		01
R026	HB026240	Metal Film Resistor	2.4K 1/4W F	金 属 被 膜 抵 抗		01
R027	RF356240	Carbon Resistor (chip)	2.4K 1/16W D	チ ッ プ 抵 抗		01
R028	RF356240	Carbon Resistor (chip)	2.4K 1/16W D	チ ッ プ 抵 抗		01
R029	HV755100	Flame Proof C. Resistor	100 1/4W J	不 燃 化 カ ー ボ ン 抵 抗		01
R030	RD354100	Carbon Resistor (chip)	10 1/16W J	チ ッ プ 抵 抗		01
R031	RD354100	Carbon Resistor (chip)	10 1/16W J	チ ッ プ 抵 抗		01
R034	RD354100	Carbon Resistor (chip)	10 1/16W J	チ ッ プ 抵 抗		01
R035	RD354100	Carbon Resistor (chip)	10 1/16W J	チ ッ プ 抵 抗		01
R038	RD354100	Carbon Resistor (chip)	10 1/16W J	チ ッ プ 抵 抗		01
R039	RD354100	Carbon Resistor (chip)	10 1/16W J	チ ッ プ 抵 抗		01
R042	RD354100	Carbon Resistor (chip)	10 1/16W J	チ ッ プ 抵 抗		01
R043	RD354100	Carbon Resistor (chip)	10 1/16W J	チ ッ プ 抵 抗		01
R046	RF356180	Carbon Resistor (chip)	1.8K 1/16W D	チ ッ プ 抵 抗		01
-049	RF356180	Carbon Resistor (chip)	1.8K 1/16W D	チ ッ プ 抵 抗		01
* R050	RF356360	Carbon Resistor (chip)	3.6K 1/16W D	チ ッ プ 抵 抗		01
R051	RF358220	Carbon Resistor (chip)	220K 1/16W D	チ ッ プ 抵 抗		01
* R052	RF356360	Carbon Resistor (chip)	3.6K 1/16W D	チ ッ プ 抵 抗		01
R053	RF358220	Carbon Resistor (chip)	220K 1/16W D	チ ッ プ 抵 抗		01
* R054	RF356360	Carbon Resistor (chip)	3.6K 1/16W D	チ ッ プ 抵 抗		01
R055	RF358220	Carbon Resistor (chip)	220K 1/16W D	チ ッ プ 抵 抗		01
* R056	RF356360	Carbon Resistor (chip)	3.6K 1/16W D	チ ッ プ 抵 抗		01
R057	RF358220	Carbon Resistor (chip)	220K 1/16W D	チ ッ プ 抵 抗		01
R058	RF356180	Carbon Resistor (chip)	1.8K 1/16W D	チ ッ プ 抵 抗		01
-061	RF356180	Carbon Resistor (chip)	1.8K 1/16W D	チ ッ プ 抵 抗		01
R062	RF358220	Carbon Resistor (chip)	220K 1/16W D	チ ッ プ 抵 抗		01
-065	RF358220	Carbon Resistor (chip)	220K 1/16W D	チ ッ プ 抵 抗		01
* R066	RF356360	Carbon Resistor (chip)	3.6K 1/16W D	チ ッ プ 抵 抗		01
* -069	RF356360	Carbon Resistor (chip)	3.6K 1/16W D	チ ッ プ 抵 抗		01
R070	RF358220	Carbon Resistor (chip)	220K 1/16W D	チ ッ プ 抵 抗		01
-077	RF358220	Carbon Resistor (chip)	220K 1/16W D	チ ッ プ 抵 抗		01
R201	RD358100	Carbon Resistor (chip)	100K 1/16W J	チ ッ プ 抵 抗		01
R203	HB026240	Metal Film Resistor	2.4K 1/4W F	金 属 被 膜 抵 抗		01
-205	HB026240	Metal Film Resistor	2.4K 1/4W F	金 属 被 膜 抵 抗		01
R206	RD357680	Carbon Resistor (chip)	68K 1/16W J	チ ッ プ 抵 抗		01
R207	RD357680	Carbon Resistor (chip)	68K 1/16W J	チ ッ プ 抵 抗		01
R208	HB026240	Metal Film Resistor	2.4K 1/4W F	金 属 被 膜 抵 抗		01
R209	RD357680	Carbon Resistor (chip)	68K 1/16W J	チ ッ プ 抵 抗		01
R210	RD357680	Carbon Resistor (chip)	68K 1/16W J	チ ッ プ 抵 抗		01
R211	HV755100	Flame Proof C. Resistor	100 1/4W J	不 燃 化 カ ー ボ ン 抵 抗		01
R212	RD357120	Carbon Resistor (chip)	12K 1/16W J	チ ッ プ 抵 抗		01
-215	RD357120	Carbon Resistor (chip)	12K 1/16W J	チ ッ プ 抵 抗		01
R216	RD354100	Carbon Resistor (chip)	10 1/16W J	チ ッ プ 抵 抗		01
R217	RD354100	Carbon Resistor (chip)	10 1/16W J	チ ッ プ 抵 抗		01
R220	RD354100	Carbon Resistor (chip)	10 1/16W J	チ ッ プ 抵 抗		01
R221	RD354100	Carbon Resistor (chip)	10 1/16W J	チ ッ プ 抵 抗		01
R224	RD356680	Carbon Resistor (chip)	6.8K 1/16W J	チ ッ プ 抵 抗		01
-227	RD356680	Carbon Resistor (chip)	6.8K 1/16W J	チ ッ プ 抵 抗		01
R228	RF356180	Carbon Resistor (chip)	1.8K 1/16W D	チ ッ プ 抵 抗		01
R229	RF356180	Carbon Resistor (chip)	1.8K 1/16W D	チ ッ プ 抵 抗		01
R234	RF356180	Carbon Resistor (chip)	1.8K 1/16W D	チ ッ プ 抵 抗		01
R235	RF356180	Carbon Resistor (chip)	1.8K 1/16W D	チ ッ プ 抵 抗		01
R236	RF358110	Carbon Resistor (chip)	110K 1/16W D	チ ッ プ 抵 抗		01
R237	RF358110	Carbon Resistor (chip)	110K 1/16W D	チ ッ プ 抵 抗		01
R240	RF358110	Carbon Resistor (chip)	110K 1/16W D	チ ッ プ 抵 抗		01

*: New Parts

RANK: Japan only

REF NO.	PART NO.	DESCRIPTION	部 品 名	REMARKS	QTY	RANK
R241	RF358110	Carbon Resistor (chip)	110K 1/16W D	チ ッ プ 抵 抗		01
R274	RD356680	Carbon Resistor (chip)	6.8K 1/16W J	チ ッ プ 抵 抗		01
-277	RD356680	Carbon Resistor (chip)	6.8K 1/16W J	チ ッ プ 抵 抗		01
R303	HB026240	Metal Film Resistor	2.4K 1/4W F	金 属 被 膜 抵 抗		01
-306	HB026240	Metal Film Resistor	2.4K 1/4W F	金 属 被 膜 抵 抗		01
R307	RD357680	Carbon Resistor (chip)	68K 1/16W J	チ ッ プ 抵 抗		01
-310	RD357680	Carbon Resistor (chip)	68K 1/16W J	チ ッ プ 抵 抗		01
R311	RD354100	Carbon Resistor (chip)	10 1/16W J	チ ッ プ 抵 抗		01
R312	RD354100	Carbon Resistor (chip)	10 1/16W J	チ ッ プ 抵 抗		01
R315	RD354100	Carbon Resistor (chip)	10 1/16W J	チ ッ プ 抵 抗		01
R316	RD354100	Carbon Resistor (chip)	10 1/16W J	チ ッ プ 抵 抗		01
R319	RD356680	Carbon Resistor (chip)	6.8K 1/16W J	チ ッ プ 抵 抗		01
R320	RD357120	Carbon Resistor (chip)	12K 1/16W J	チ ッ プ 抵 抗		01
R321	RD356680	Carbon Resistor (chip)	6.8K 1/16W J	チ ッ プ 抵 抗		01
R322	RD357120	Carbon Resistor (chip)	12K 1/16W J	チ ッ プ 抵 抗		01
R323	RD356680	Carbon Resistor (chip)	6.8K 1/16W J	チ ッ プ 抵 抗		01
R324	RD357120	Carbon Resistor (chip)	12K 1/16W J	チ ッ プ 抵 抗		01
R325	RD356680	Carbon Resistor (chip)	6.8K 1/16W J	チ ッ プ 抵 抗		01
R326	RD357120	Carbon Resistor (chip)	12K 1/16W J	チ ッ プ 抵 抗		01
R327	RF356180	Carbon Resistor (chip)	1.8K 1/16W D	チ ッ プ 抵 抗		01
R328	RF356180	Carbon Resistor (chip)	1.8K 1/16W D	チ ッ プ 抵 抗		01
R329	RD356680	Carbon Resistor (chip)	6.8K 1/16W J	チ ッ プ 抵 抗		01
-332	RD356680	Carbon Resistor (chip)	6.8K 1/16W J	チ ッ プ 抵 抗		01
R337	RF356180	Carbon Resistor (chip)	1.8K 1/16W D	チ ッ プ 抵 抗		01
R338	RF356180	Carbon Resistor (chip)	1.8K 1/16W D	チ ッ プ 抵 抗		01
R339	RF358110	Carbon Resistor (chip)	110K 1/16W D	チ ッ プ 抵 抗		01
R340	RF358110	Carbon Resistor (chip)	110K 1/16W D	チ ッ プ 抵 抗		01
R343	RF358110	Carbon Resistor (chip)	110K 1/16W D	チ ッ プ 抵 抗		01
R344	RF358110	Carbon Resistor (chip)	110K 1/16W D	チ ッ プ 抵 抗		01
R401	RD358100	Carbon Resistor (chip)	100K 1/16W J	チ ッ プ 抵 抗		01
-404	RD358100	Carbon Resistor (chip)	100K 1/16W J	チ ッ プ 抵 抗		01
R405	RD355560	Carbon Resistor (chip)	560 1/16W J	チ ッ プ 抵 抗		01
-414	RD355560	Carbon Resistor (chip)	560 1/16W J	チ ッ プ 抵 抗		01
RJ003	RD350000	Carbon Resistor (chip)	0 1/16W J	チ ッ プ 抵 抗		01
RJ005	RD350000	Carbon Resistor (chip)	0 1/16W J	チ ッ プ 抵 抗		01
RJ008	RD350000	Carbon Resistor (chip)	0 1/16W J	チ ッ プ 抵 抗		01
RJ009	RD350000	Carbon Resistor (chip)	0 1/16W J	チ ッ プ 抵 抗		01
SW001	V9683600	Push Switch	PS-22E85L52	ブ ッ シ ュ S W	LINE/MIC (CH1)	01
SW002	V9683600	Push Switch	PS-22E85L52	ブ ッ シ ュ S W	LINE/MIC (CH2)	01
SW003	V9683600	Push Switch	PS-22E85L52	ブ ッ シ ュ S W	LINE/MIC (CH3)	01
SW004	V9683600	Push Switch	PS-22E85L52	ブ ッ シ ュ S W	LINE/MIC (CH4)	01
* *	WD943300	Circuit Board	MIX (MIX 1/2)	M I X シ ー ト	(WD94320) (X5967C0)	
	WD945300	Circuit Board	SW (MIX 2/2)	S W シ ー ト	(WD94320) (X5967C0)	
	--	Jumper Wire	0.55 TIN	ジ ャ ン パ ー 線	(VA07890)	
* *	WD232700	LED Spacer		ス ペ ー サ ー L E D		27 01
	WD939600	Hexagonal Spacer	L=16	6 角 ス ペ ー サ ー M 3		6
	WE877900	Bind Head Tapping Screw-S	3x6 MFZN2W3	S タ イ ト + B I N D		6 01
C001	UR857470	Electrolytic Cap.	47 35V	ケ ミ コ ン		01
C002	UR867220	Electrolytic Cap.	22 50V	ケ ミ コ ン		01
C003	UA654150	Mylar Capacitor	0.015 50V J	マ イ ラ ー コ ン		01
C004	US061150	Ceramic Capacitor-CH(chip)	15P 50V J	チ ッ プ セ ラ (C H)		01
C005	UR857470	Electrolytic Cap.	47 35V	ケ ミ コ ン		01
C006	UR867220	Electrolytic Cap.	22 50V	ケ ミ コ ン		01
C008	UA654100	Mylar Capacitor	0.01 50V J	マ イ ラ ー コ ン		01
C009	US062220	Ceramic Capacitor-SL(chip)	220P 50V J	チ ッ プ セ ラ (S L)		01
C010	US061270	Ceramic Capacitor-CH(chip)	27P 50V J	チ ッ プ セ ラ (C H)		01
C011	UA654120	Mylar Capacitor	0.012 50V J	マ イ ラ ー コ ン		01
C012	US062100	Ceramic Capacitor-SL(chip)	100P 50V J	チ ッ プ セ ラ (S L)		01
C013	UR867100	Electrolytic Cap.	10 50V	ケ ミ コ ン		01
C014	US063100	Ceramic Capacitor-B (chip)	1000P 50V K	チ ッ プ セ ラ (B)		01
C015	UA653390	Mylar Capacitor	3900P 50V J	マ イ ラ ー コ ン		01
C016	US064100	Ceramic Capacitor-B (chip)	0.01 50V K	チ ッ プ セ ラ (B)		01
C017	UR857470	Electrolytic Cap.	47 35V	ケ ミ コ ン		01
C018	UR867220	Electrolytic Cap.	22 50V	ケ ミ コ ン		01
C019	US064100	Ceramic Capacitor-B (chip)	0.01 50V K	チ ッ プ セ ラ (B)		01
C020	UA654150	Mylar Capacitor	0.015 50V J	マ イ ラ ー コ ン		01
C021	US061150	Ceramic Capacitor-CH(chip)	15P 50V J	チ ッ プ セ ラ (C H)		01
C022	US064100	Ceramic Capacitor-B (chip)	0.01 50V K	チ ッ プ セ ラ (B)		01
C023	UR857470	Electrolytic Cap.	47 35V	ケ ミ コ ン		01

*: New Parts

RANK: Japan only

REF NO.	PART NO.	DESCRIPTION	部 品 名	REMARKS	QTY	RANK
C024	UR867220	Electrolytic Cap.	22 50V	ケ ミ コ ン		01
C026	UA654100	Mylar Capacitor	0.01 50V J	マ イ ラ ー コ ン		01
C027	US062220	Ceramic Capacitor-SL(chip)	220P 50V J	チ ッ プ セ ラ(S L)		01
C028	US061270	Ceramic Capacitor-CH(chip)	27P 50V J	チ ッ プ セ ラ(C H)		01
C029	UA654120	Mylar Capacitor	0.012 50V J	マ イ ラ ー コ ン		01
C030	US064100	Ceramic Capacitor-B (chip)	0.01 50V K	チ ッ プ セ ラ(B)		01
C031	US062100	Ceramic Capacitor-SL(chip)	100P 50V J	チ ッ プ セ ラ(S L)		01
C032	UR867100	Electrolytic Cap.	10 50V	ケ ミ コ ン		01
C033	US064100	Ceramic Capacitor-B (chip)	0.01 50V K	チ ッ プ セ ラ(B)		01
C034	UA653390	Mylar Capacitor	3900P 50V J	マ イ ラ ー コ ン		01
C035	US064100	Ceramic Capacitor-B (chip)	0.01 50V K	チ ッ プ セ ラ(B)		01
C036	US064100	Ceramic Capacitor-B (chip)	0.01 50V K	チ ッ プ セ ラ(B)		01
C037	UR857470	Electrolytic Cap.	47 35V	ケ ミ コ ン		01
C038	UR867220	Electrolytic Cap.	22 50V	ケ ミ コ ン		01
C039	US064100	Ceramic Capacitor-B (chip)	0.01 50V K	チ ッ プ セ ラ(B)		01
C040	UA654150	Mylar Capacitor	0.015 50V J	マ イ ラ ー コ ン		01
C041	US061150	Ceramic Capacitor-CH(chip)	15P 50V J	チ ッ プ セ ラ(C H)		01
C042	US064100	Ceramic Capacitor-B (chip)	0.01 50V K	チ ッ プ セ ラ(B)		01
C043	UR857470	Electrolytic Cap.	47 35V	ケ ミ コ ン		01
C044	UR867220	Electrolytic Cap.	22 50V	ケ ミ コ ン		01
C046	UA654100	Mylar Capacitor	0.01 50V J	マ イ ラ ー コ ン		01
C047	US062220	Ceramic Capacitor-SL(chip)	220P 50V J	チ ッ プ セ ラ(S L)		01
C048	US061270	Ceramic Capacitor-CH(chip)	27P 50V J	チ ッ プ セ ラ(C H)		01
C049	UA654120	Mylar Capacitor	0.012 50V J	マ イ ラ ー コ ン		01
C050	US064100	Ceramic Capacitor-B (chip)	0.01 50V K	チ ッ プ セ ラ(B)		01
C051	US062100	Ceramic Capacitor-SL(chip)	100P 50V J	チ ッ プ セ ラ(S L)		01
C052	UR867100	Electrolytic Cap.	10 50V	ケ ミ コ ン		01
C053	US063100	Ceramic Capacitor-B (chip)	1000P 50V K	チ ッ プ セ ラ(B)		01
C054	US064100	Ceramic Capacitor-B (chip)	0.01 50V K	チ ッ プ セ ラ(B)		01
C055	UA653390	Mylar Capacitor	3900P 50V J	マ イ ラ ー コ ン		01
C056	US064100	Ceramic Capacitor-B (chip)	0.01 50V K	チ ッ プ セ ラ(B)		01
C057	UR857470	Electrolytic Cap.	47 35V	ケ ミ コ ン		01
C058	UR867220	Electrolytic Cap.	22 50V	ケ ミ コ ン		01
C059	UA654150	Mylar Capacitor	0.015 50V J	マ イ ラ ー コ ン		01
C060	US061150	Ceramic Capacitor-CH(chip)	15P 50V J	チ ッ プ セ ラ(C H)		01
C061	UR857470	Electrolytic Cap.	47 35V	ケ ミ コ ン		01
C062	UR867220	Electrolytic Cap.	22 50V	ケ ミ コ ン		01
C064	UA654100	Mylar Capacitor	0.01 50V J	マ イ ラ ー コ ン		01
C065	US062220	Ceramic Capacitor-SL(chip)	220P 50V J	チ ッ プ セ ラ(S L)		01
C066	US061270	Ceramic Capacitor-CH(chip)	27P 50V J	チ ッ プ セ ラ(C H)		01
C067	UA654120	Mylar Capacitor	0.012 50V J	マ イ ラ ー コ ン		01
C068	US062100	Ceramic Capacitor-SL(chip)	100P 50V J	チ ッ プ セ ラ(S L)		01
C069	UR867100	Electrolytic Cap.	10 50V	ケ ミ コ ン		01
C070	UA653390	Mylar Capacitor	3900P 50V J	マ イ ラ ー コ ン		01
C071	UR866220	Electrolytic Cap.	2.2 50V	ケ ミ コ ン		01
-074	UR866220	Electrolytic Cap.	2.2 50V	ケ ミ コ ン		01
C075	UR857470	Electrolytic Cap.	47 35V	ケ ミ コ ン		01
-078	UR857470	Electrolytic Cap.	47 35V	ケ ミ コ ン		01
C101	UA654150	Mylar Capacitor	0.015 50V J	マ イ ラ ー コ ン		01
C102	UA654100	Mylar Capacitor	0.01 50V J	マ イ ラ ー コ ン		01
C103	UA654150	Mylar Capacitor	0.015 50V J	マ イ ラ ー コ ン		01
C104	UA654100	Mylar Capacitor	0.01 50V J	マ イ ラ ー コ ン		01
C105	UA654150	Mylar Capacitor	0.015 50V J	マ イ ラ ー コ ン		01
C106	UA654100	Mylar Capacitor	0.01 50V J	マ イ ラ ー コ ン		01
C107	UA654150	Mylar Capacitor	0.015 50V J	マ イ ラ ー コ ン		01
C108	UA654100	Mylar Capacitor	0.01 50V J	マ イ ラ ー コ ン		01
C109	UA654120	Mylar Capacitor	0.012 50V J	マ イ ラ ー コ ン		01
C110	UA653390	Mylar Capacitor	3900P 50V J	マ イ ラ ー コ ン		01
C111	UA654120	Mylar Capacitor	0.012 50V J	マ イ ラ ー コ ン		01
C112	UA653390	Mylar Capacitor	3900P 50V J	マ イ ラ ー コ ン		01
C113	UA654120	Mylar Capacitor	0.012 50V J	マ イ ラ ー コ ン		01
C114	UA653390	Mylar Capacitor	3900P 50V J	マ イ ラ ー コ ン		01
C115	UA654120	Mylar Capacitor	0.012 50V J	マ イ ラ ー コ ン		01
C116	UA653390	Mylar Capacitor	3900P 50V J	マ イ ラ ー コ ン		01
C117	US064100	Ceramic Capacitor-B (chip)	0.01 50V K	チ ッ プ セ ラ(B)		01
C118	US061270	Ceramic Capacitor-CH(chip)	27P 50V J	チ ッ プ セ ラ(C H)		01
C119	US062100	Ceramic Capacitor-SL(chip)	100P 50V J	チ ッ プ セ ラ(S L)		01
C120	US061270	Ceramic Capacitor-CH(chip)	27P 50V J	チ ッ プ セ ラ(C H)		01
C121	US062100	Ceramic Capacitor-SL(chip)	100P 50V J	チ ッ プ セ ラ(S L)		01
C122	US061270	Ceramic Capacitor-CH(chip)	27P 50V J	チ ッ プ セ ラ(C H)		01

*: New Parts

RANK: Japan only

REF NO.	PART NO.	DESCRIPTION	部 品 名	REMARKS	QTY	RANK
C123	US062100	Ceramic Capacitor-SL (chip)	100P 50V J	チ ッ プ セ ラ(S L)		01
C124	US061270	Ceramic Capacitor-CH(chip)	27P 50V J	チ ッ プ セ ラ(C H)		01
C125	US062100	Ceramic Capacitor-SL (chip)	100P 50V J	チ ッ プ セ ラ(S L)		01
C126	US064100	Ceramic Capacitor-B (chip)	0.01 50V K	チ ッ プ セ ラ(B)		01
C127	US063100	Ceramic Capacitor-B (chip)	1000P 50V K	チ ッ プ セ ラ(B)		01
C128	US063100	Ceramic Capacitor-B (chip)	1000P 50V K	チ ッ プ セ ラ(B)		01
C129	US064100	Ceramic Capacitor-B (chip)	0.01 50V K	チ ッ プ セ ラ(B)		01
C130	US064100	Ceramic Capacitor-B (chip)	0.01 50V K	チ ッ プ セ ラ(B)		01
C135	US064100	Ceramic Capacitor-B (chip)	0.01 50V K	チ ッ プ セ ラ(B)		01
C136	VE119200	Electrolytic Cap.	47 6.3V	ケ ミ コ ン		01
C137	VE119200	Electrolytic Cap.	47 6.3V	ケ ミ コ ン		01
C138	UR867220	Electrolytic Cap.	22 50V	ケ ミ コ ン		01
-141	UR867220	Electrolytic Cap.	22 50V	ケ ミ コ ン		01
C142	US064100	Ceramic Capacitor-B (chip)	0.01 50V K	チ ッ プ セ ラ(B)		01
C143	UR867220	Electrolytic Cap.	22 50V	ケ ミ コ ン		01
-146	UR867220	Electrolytic Cap.	22 50V	ケ ミ コ ン		01
C147	US064100	Ceramic Capacitor-B (chip)	0.01 50V K	チ ッ プ セ ラ(B)		01
C148	US062220	Ceramic Capacitor-SL (chip)	220P 50V J	チ ッ プ セ ラ(S L)		01
-151	US062220	Ceramic Capacitor-SL (chip)	220P 50V J	チ ッ プ セ ラ(S L)		01
C152	UR867220	Electrolytic Cap.	22 50V	ケ ミ コ ン		01
C153	UM397220	Electrolytic Cap.	22 16V	ケ ミ コ ン		01
C154	US064100	Ceramic Capacitor-B (chip)	0.01 50V K	チ ッ プ セ ラ(B)		01
C155	US061150	Ceramic Capacitor-CH(chip)	15P 50V J	チ ッ プ セ ラ(C H)		01
-158	US061150	Ceramic Capacitor-CH(chip)	15P 50V J	チ ッ プ セ ラ(C H)		01
C159	US064100	Ceramic Capacitor-B (chip)	0.01 50V K	チ ッ プ セ ラ(B)		01
C160	UR857470	Electrolytic Cap.	47 35V	ケ ミ コ ン		01
-163	UR857470	Electrolytic Cap.	47 35V	ケ ミ コ ン		01
C164	US064100	Ceramic Capacitor-B (chip)	0.01 50V K	チ ッ プ セ ラ(B)		01
C165	UR866220	Electrolytic Cap.	2.2 50V	ケ ミ コ ン		01
C166	UM416220	Electrolytic Cap.	2.2 50V	ケ ミ コ ン		01
C167	UR857470	Electrolytic Cap.	47 35V	ケ ミ コ ン		01
C168	UR857470	Electrolytic Cap.	47 35V	ケ ミ コ ン		01
G201	UA654150	Mylar Capacitor	0.015 50V J	マ イ ラ ー コ ン		01
G202	UA654100	Mylar Capacitor	0.01 50V J	マ イ ラ ー コ ン		01
G203	UA654150	Mylar Capacitor	0.015 50V J	マ イ ラ ー コ ン		01
G204	UA654100	Mylar Capacitor	0.01 50V J	マ イ ラ ー コ ン		01
G205	UA654150	Mylar Capacitor	0.015 50V J	マ イ ラ ー コ ン		01
G206	UA654100	Mylar Capacitor	0.01 50V J	マ イ ラ ー コ ン		01
G207	UA654150	Mylar Capacitor	0.015 50V J	マ イ ラ ー コ ン		01
G208	UA654100	Mylar Capacitor	0.01 50V J	マ イ ラ ー コ ン		01
G209	US064100	Ceramic Capacitor-B (chip)	0.01 50V K	チ ッ プ セ ラ(B)		01
G210	UA654120	Mylar Capacitor	0.012 50V J	マ イ ラ ー コ ン		01
G211	UA653390	Mylar Capacitor	3900P 50V J	マ イ ラ ー コ ン		01
G212	UA654120	Mylar Capacitor	0.012 50V J	マ イ ラ ー コ ン		01
G213	UA653390	Mylar Capacitor	3900P 50V J	マ イ ラ ー コ ン		01
G214	UA654120	Mylar Capacitor	0.012 50V J	マ イ ラ ー コ ン		01
G215	UA653390	Mylar Capacitor	3900P 50V J	マ イ ラ ー コ ン		01
G216	UA654120	Mylar Capacitor	0.012 50V J	マ イ ラ ー コ ン		01
G217	UA653390	Mylar Capacitor	3900P 50V J	マ イ ラ ー コ ン		01
G218	US064100	Ceramic Capacitor-B (chip)	0.01 50V K	チ ッ プ セ ラ(B)		01
G219	US064100	Ceramic Capacitor-B (chip)	0.01 50V K	チ ッ プ セ ラ(B)		01
G220	US061270	Ceramic Capacitor-CH(chip)	27P 50V J	チ ッ プ セ ラ(C H)		01
G221	US062100	Ceramic Capacitor-SL (chip)	100P 50V J	チ ッ プ セ ラ(S L)		01
G222	US061270	Ceramic Capacitor-CH(chip)	27P 50V J	チ ッ プ セ ラ(C H)		01
G223	US062100	Ceramic Capacitor-SL (chip)	100P 50V J	チ ッ プ セ ラ(S L)		01
G224	US061270	Ceramic Capacitor-CH(chip)	27P 50V J	チ ッ プ セ ラ(C H)		01
G225	US062100	Ceramic Capacitor-SL (chip)	100P 50V J	チ ッ プ セ ラ(S L)		01
G226	US061270	Ceramic Capacitor-CH(chip)	27P 50V J	チ ッ プ セ ラ(C H)		01
G227	US062100	Ceramic Capacitor-SL (chip)	100P 50V J	チ ッ プ セ ラ(S L)		01
G228	US064100	Ceramic Capacitor-B (chip)	0.01 50V K	チ ッ プ セ ラ(B)		01
G229	US063100	Ceramic Capacitor-B (chip)	1000P 50V K	チ ッ プ セ ラ(B)		01
G230	US063100	Ceramic Capacitor-B (chip)	1000P 50V K	チ ッ プ セ ラ(B)		01
G231	US064100	Ceramic Capacitor-B (chip)	0.01 50V K	チ ッ プ セ ラ(B)		01
G232	US064100	Ceramic Capacitor-B (chip)	0.01 50V K	チ ッ プ セ ラ(B)		01
G235	US064100	Ceramic Capacitor-B (chip)	0.01 50V K	チ ッ プ セ ラ(B)		01
G238	VE119200	Electrolytic Cap.	47 6.3V	ケ ミ コ ン		01
G239	VE119200	Electrolytic Cap.	47 6.3V	ケ ミ コ ン		01
G240	UR867220	Electrolytic Cap.	22 50V	ケ ミ コ ン		01
-243	UR867220	Electrolytic Cap.	22 50V	ケ ミ コ ン		01
G244	US064100	Ceramic Capacitor-B (chip)	0.01 50V K	チ ッ プ セ ラ(B)		01

*: New Parts

RANK: Japan only

EMX212S

REF NO.	PART NO.	DESCRIPTION	部 品 名	REMARKS	QTY	RANK
C245	US064100	Ceramic Capacitor-B (chip)	0.01 50V K	チ ッ プ セ ラ(B)		01
C246	UR867220	Electrolytic Cap.	22 50V	ケ ミ コ ン		01
-249	UR867220	Electrolytic Cap.	22 50V	ケ ミ コ ン		01
C250	US062220	Ceramic Capacitor-SL(chip)	220P 50V J	チ ッ プ セ ラ(S L)		01
-253	US062220	Ceramic Capacitor-SL(chip)	220P 50V J	チ ッ プ セ ラ(S L)		01
C254	US064100	Ceramic Capacitor-B (chip)	0.01 50V K	チ ッ プ セ ラ(B)		01
C255	UM397220	Electrolytic Cap.	22 16V	ケ ミ コ ン		01
C256	UM397220	Electrolytic Cap.	22 16V	ケ ミ コ ン		01
C257	US061150	Ceramic Capacitor-CH(chip)	15P 50V J	チ ッ プ セ ラ(C H)		01
-260	US061150	Ceramic Capacitor-CH(chip)	15P 50V J	チ ッ プ セ ラ(C H)		01
C261	UR857470	Electrolytic Cap.	47 35V	ケ ミ コ ン		01
-264	UR857470	Electrolytic Cap.	47 35V	ケ ミ コ ン		01
C265	UR866220	Electrolytic Cap.	2.2 50V	ケ ミ コ ン		01
C266	UM416220	Electrolytic Cap.	2.2 50V	ケ ミ コ ン		01
C267	UR857470	Electrolytic Cap.	47 35V	ケ ミ コ ン		01
C268	UR857470	Electrolytic Cap.	47 35V	ケ ミ コ ン		01
C301	US064100	Ceramic Capacitor-B (chip)	0.01 50V K	チ ッ プ セ ラ(B)		01
-312	US064100	Ceramic Capacitor-B (chip)	0.01 50V K	チ ッ プ セ ラ(B)		01
C313	US062220	Ceramic Capacitor-SL(chip)	220P 50V J	チ ッ プ セ ラ(S L)		01
-317	US062220	Ceramic Capacitor-SL(chip)	220P 50V J	チ ッ プ セ ラ(S L)		01
C319	US061470	Ceramic Capacitor-CH(chip)	47P 50V J	チ ッ プ セ ラ(C H)		01
C320	US061470	Ceramic Capacitor-CH(chip)	47P 50V J	チ ッ プ セ ラ(C H)		01
C321	US061150	Ceramic Capacitor-CH(chip)	15P 50V J	チ ッ プ セ ラ(C H)		01
C322	US061150	Ceramic Capacitor-CH(chip)	15P 50V J	チ ッ プ セ ラ(C H)		01
C323	US061220	Ceramic Capacitor-CH(chip)	22P 50V J	チ ッ プ セ ラ(C H)		01
C325	US062220	Ceramic Capacitor-SL(chip)	220P 50V J	チ ッ プ セ ラ(S L)		01
C326	US062220	Ceramic Capacitor-SL(chip)	220P 50V J	チ ッ プ セ ラ(S L)		01
C327	US061470	Ceramic Capacitor-CH(chip)	47P 50V J	チ ッ プ セ ラ(C H)		01
C328	US061470	Ceramic Capacitor-CH(chip)	47P 50V J	チ ッ プ セ ラ(C H)		01
C329	UR857470	Electrolytic Cap.	47 35V	ケ ミ コ ン		01
C330	UR857470	Electrolytic Cap.	47 35V	ケ ミ コ ン		01
* C331	WF696400	Electrolytic Cap.	47 35V	ケ ミ コ ン		01
* C332	WF696400	Electrolytic Cap.	47 35V	ケ ミ コ ン		01
C333	US063100	Ceramic Capacitor-B (chip)	1000P 50V K	チ ッ プ セ ラ(B)		01
-336	US063100	Ceramic Capacitor-B (chip)	1000P 50V K	チ ッ プ セ ラ(B)		01
C337	US062120	Ceramic Capacitor-SL(chip)	120P 50V J	チ ッ プ セ ラ(S L)		01
-340	US062120	Ceramic Capacitor-SL(chip)	120P 50V J	チ ッ プ セ ラ(S L)		01
C341	UR857470	Electrolytic Cap.	47 35V	ケ ミ コ ン		01
C342	UR857470	Electrolytic Cap.	47 35V	ケ ミ コ ン		01
C343	VE119200	Electrolytic Cap.	47 6.3V	ケ ミ コ ン		01
C344	UR857470	Electrolytic Cap.	47 35V	ケ ミ コ ン		01
C345	US062100	Ceramic Capacitor-SL(chip)	100P 50V J	チ ッ プ セ ラ(S L)		01
C346	US061680	Ceramic Capacitor-SL(chip)	68P 50V J	チ ッ プ セ ラ(S L)		01
C347	UR857470	Electrolytic Cap.	47 35V	ケ ミ コ ン		01
C403	US063100	Ceramic Capacitor-B (chip)	1000P 50V K	チ ッ プ セ ラ(B)		01
C404	UA654120	Mylar Capacitor	0.012 50V J	マ イ ラ ー コ ン		01
C405	UA654270	Mylar Capacitor	0.027 50V J	マ イ ラ ー コ ン		01
C406	VR169500	Monolithic Mylar Capacitor	EQQ-V1H824JL3	積 層 マ イ ラ ー コ ン		01
C407	VR169200	Monolithic Mylar Capacitor	EQQ-V1H474JL3	積 層 マ イ ラ ー コ ン		01
C408	VR168700	Monolithic Mylar Capacitor	EQQ-V1H224JL3	積 層 マ イ ラ ー コ ン		01
C409	VR168300	Monolithic Mylar Capacitor	EQQ-V1H104JL3	積 層 マ イ ラ ー コ ン		01
C410	UA654470	Mylar Capacitor	0.047 50V J	マ イ ラ ー コ ン		01
C411	UA654270	Mylar Capacitor	0.027 50V J	マ イ ラ ー コ ン		01
C412	UA654120	Mylar Capacitor	0.012 50V J	マ イ ラ ー コ ン		01
C413	VR169500	Monolithic Mylar Capacitor	EQQ-V1H824JL3	積 層 マ イ ラ ー コ ン		01
C414	VR169200	Monolithic Mylar Capacitor	EQQ-V1H474JL3	積 層 マ イ ラ ー コ ン		01
C415	VR168700	Monolithic Mylar Capacitor	EQQ-V1H224JL3	積 層 マ イ ラ ー コ ン		01
C416	VR168300	Monolithic Mylar Capacitor	EQQ-V1H104JL3	積 層 マ イ ラ ー コ ン		01
C417	UA654470	Mylar Capacitor	0.047 50V J	マ イ ラ ー コ ン		01
C418	UA654270	Mylar Capacitor	0.027 50V J	マ イ ラ ー コ ン		01
C419	UA654120	Mylar Capacitor	0.012 50V J	マ イ ラ ー コ ン		01
C420	VR169500	Monolithic Mylar Capacitor	EQQ-V1H824JL3	積 層 マ イ ラ ー コ ン		01
C421	VR169200	Monolithic Mylar Capacitor	EQQ-V1H474JL3	積 層 マ イ ラ ー コ ン		01
C422	VR168700	Monolithic Mylar Capacitor	EQQ-V1H224JL3	積 層 マ イ ラ ー コ ン		01
C423	VR168300	Monolithic Mylar Capacitor	EQQ-V1H104JL3	積 層 マ イ ラ ー コ ン		01
C424	UA654470	Mylar Capacitor	0.047 50V J	マ イ ラ ー コ ン		01
C425	UA654820	Mylar Capacitor	0.082 50V J	マ イ ラ ー コ ン		01
C426	UA654390	Mylar Capacitor	0.039 50V J	マ イ ラ ー コ ン		01
C427	UA654180	Mylar Capacitor	0.018 50V J	マ イ ラ ー コ ン		01
C428	UA654100	Mylar Capacitor	0.01 50V J	マ イ ラ ー コ ン		01

*: New Parts

RANK: Japan only

REF NO.	PART NO.	DESCRIPTION	部 品 名	REMARKS	QTY	RANK
C429	UA653470	Mylar Capacitor	4700P 50V J	マ イ ラ ー コ ン		01
C430	UA653220	Mylar Capacitor	2200P 50V J	マ イ ラ ー コ ン		01
C431	UA653120	Mylar Capacitor	1200P 50V J	マ イ ラ ー コ ン		01
C432	UA654820	Mylar Capacitor	0.082 50V J	マ イ ラ ー コ ン		01
C433	UA654390	Mylar Capacitor	0.039 50V J	マ イ ラ ー コ ン		01
C434	UA654180	Mylar Capacitor	0.018 50V J	マ イ ラ ー コ ン		01
C435	UA654100	Mylar Capacitor	0.01 50V J	マ イ ラ ー コ ン		01
C436	UA653470	Mylar Capacitor	4700P 50V J	マ イ ラ ー コ ン		01
C437	UA653220	Mylar Capacitor	2200P 50V J	マ イ ラ ー コ ン		01
C438	UA653120	Mylar Capacitor	1200P 50V J	マ イ ラ ー コ ン		01
C439	UA654820	Mylar Capacitor	0.082 50V J	マ イ ラ ー コ ン		01
C440	UA654390	Mylar Capacitor	0.039 50V J	マ イ ラ ー コ ン		01
C441	UA654180	Mylar Capacitor	0.018 50V J	マ イ ラ ー コ ン		01
C442	UA654100	Mylar Capacitor	0.01 50V J	マ イ ラ ー コ ン		01
C443	UA653470	Mylar Capacitor	4700P 50V J	マ イ ラ ー コ ン		01
C444	UA653220	Mylar Capacitor	2200P 50V J	マ イ ラ ー コ ン		01
C445	UA653120	Mylar Capacitor	1200P 50V J	マ イ ラ ー コ ン		01
C446	US062470	Ceramic Capacitor-SL(chip)	470P 50V J	チ ッ プ セ ラ(S L)		01
C447	US062470	Ceramic Capacitor-SL(chip)	470P 50V J	チ ッ プ セ ラ(S L)		01
C448	US064100	Ceramic Capacitor-B (chip)	0.01 50V K	チ ッ プ セ ラ(B)		01
C449	UR857470	Electrolytic Cap.	47 35V	ケ ミ コ ン		01
C450	UR857470	Electrolytic Cap.	47 35V	ケ ミ コ ン		01
C451	US062470	Ceramic Capacitor-SL(chip)	470P 50V J	チ ッ プ セ ラ(S L)		01
C452	US064100	Ceramic Capacitor-B (chip)	0.01 50V K	チ ッ プ セ ラ(B)		01
C453	UR857470	Electrolytic Cap.	47 35V	ケ ミ コ ン		01
C455	US064100	Ceramic Capacitor-B (chip)	0.01 50V K	チ ッ プ セ ラ(B)		01
C457	US064100	Ceramic Capacitor-B (chip)	0.01 50V K	チ ッ プ セ ラ(B)		01
-459	US064100	Ceramic Capacitor-B (chip)	0.01 50V K	チ ッ プ セ ラ(B)		01
C462	US064100	Ceramic Capacitor-B (chip)	0.01 50V K	チ ッ プ セ ラ(B)		01
C463	US064100	Ceramic Capacitor-B (chip)	0.01 50V K	チ ッ プ セ ラ(B)		01
C468	US064100	Ceramic Capacitor-B (chip)	0.01 50V K	チ ッ プ セ ラ(B)		01
-473	US064100	Ceramic Capacitor-B (chip)	0.01 50V K	チ ッ プ セ ラ(B)		01
C474	US062100	Ceramic Capacitor-SL(chip)	100P 50V J	チ ッ プ セ ラ(S L)		01
C475	UR867100	Electrolytic Cap.	10 50V	ケ ミ コ ン		01
C476	US064100	Ceramic Capacitor-B (chip)	0.01 50V K	チ ッ プ セ ラ(B)		01
C477	US064100	Ceramic Capacitor-B (chip)	0.01 50V K	チ ッ プ セ ラ(B)		01
C478	US061470	Ceramic Capacitor-CH(chip)	47P 50V J	チ ッ プ セ ラ(C H)		01
C480	US064100	Ceramic Capacitor-B (chip)	0.01 50V K	チ ッ プ セ ラ(B)		01
C481	US064100	Ceramic Capacitor-B (chip)	0.01 50V K	チ ッ プ セ ラ(B)		01
C482	UR867100	Electrolytic Cap.	10 50V	ケ ミ コ ン		01
C484	US062100	Ceramic Capacitor-SL(chip)	100P 50V J	チ ッ プ セ ラ(S L)		01
C485	US064100	Ceramic Capacitor-B (chip)	0.01 50V K	チ ッ プ セ ラ(B)		01
C486	US064100	Ceramic Capacitor-B (chip)	0.01 50V K	チ ッ プ セ ラ(B)		01
C487	UR867220	Electrolytic Cap.	22 50V	ケ ミ コ ン		01
C489	US061470	Ceramic Capacitor-CH(chip)	47P 50V J	チ ッ プ セ ラ(C H)		01
C490	US062220	Ceramic Capacitor-SL(chip)	220P 50V J	チ ッ プ セ ラ(S L)		01
C491	US062220	Ceramic Capacitor-SL(chip)	220P 50V J	チ ッ プ セ ラ(S L)		01
C492	UR857470	Electrolytic Cap.	47 35V	ケ ミ コ ン		01
C493	US061100	Ceramic Capacitor-CH(chip)	10P 50V D	チ ッ プ セ ラ(C H)		01
C494	US062100	Ceramic Capacitor-SL(chip)	100P 50V J	チ ッ プ セ ラ(S L)		01
C495	UR867220	Electrolytic Cap.	22 50V	ケ ミ コ ン		01
C496	UR867220	Electrolytic Cap.	22 50V	ケ ミ コ ン		01
C497	US062220	Ceramic Capacitor-SL(chip)	220P 50V J	チ ッ プ セ ラ(S L)		01
C498	US062220	Ceramic Capacitor-SL(chip)	220P 50V J	チ ッ プ セ ラ(S L)		01
C499	UR857470	Electrolytic Cap.	47 35V	ケ ミ コ ン		01
C500	US061100	Ceramic Capacitor-CH(chip)	10P 50V D	チ ッ プ セ ラ(C H)		01
C501	US061100	Ceramic Capacitor-CH(chip)	10P 50V D	チ ッ プ セ ラ(C H)		01
C502	VR168700	Monolithic Mylar Capacitor	EQQ-V1H224JL3	積 層 マ イ ラ ー コ ン		01
C503	VR168700	Monolithic Mylar Capacitor	EQQ-V1H224JL3	積 層 マ イ ラ ー コ ン		01
C504	UR857470	Electrolytic Cap.	47 35V	ケ ミ コ ン		01
C505	UR857470	Electrolytic Cap.	47 35V	ケ ミ コ ン		01
C506	US063100	Ceramic Capacitor-B (chip)	1000P 50V K	チ ッ プ セ ラ(B)		01
C507	US063100	Ceramic Capacitor-B (chip)	1000P 50V K	チ ッ プ セ ラ(B)		01
C508	VR168400	Monolithic Mylar Capacitor	EQQ-V1H124JL3	積 層 マ イ ラ ー コ ン		01
-511	VR168400	Monolithic Mylar Capacitor	EQQ-V1H124JL3	積 層 マ イ ラ ー コ ン		01
C512	UR867100	Electrolytic Cap.	10 50V	ケ ミ コ ン		01
-514	UR867100	Electrolytic Cap.	10 50V	ケ ミ コ ン		01
C515	UR857470	Electrolytic Cap.	47 35V	ケ ミ コ ン		01
C516	UR857470	Electrolytic Cap.	47 35V	ケ ミ コ ン		01
C517	UR867220	Electrolytic Cap.	22 50V	ケ ミ コ ン		01

*: New Parts

RANK: Japan only

EMX212S

REF NO.	PART NO.	DESCRIPTION	部 品 名	REMARKS	QTY	RANK
C518	UR867220	Electrolytic Cap.	22 50V	ケ ミ コ ン		01
* CN001	WD961500	Header	SHD106-0302-A06	メ ス ヘ ッ ダ ー		
* CN002	WD961500	Header	SHD106-0302-A06	メ ス ヘ ッ ダ ー		
* CN101	WD961500	Header	SHD106-0302-A06	メ ス ヘ ッ ダ ー		
* CN102	WD961500	Header	SHD106-0302-A06	メ ス ヘ ッ ダ ー		
* CN201	WD961500	Header	SHD106-0302-A06	メ ス ヘ ッ ダ ー		
* CN202	WD961500	Header	SHD106-0302-A06	メ ス ヘ ッ ダ ー		
* CN301	WD961900	Header	SHD206-1002-A04	メ ス ヘ ッ ダ ー		
* CN302	WD961600	Header	SHD106-0502-A06	メ ス ヘ ッ ダ ー		
CN401	WK025700	Wire Trap	52147 13P TE	ワイヤートラップ		01
* CN402	WD961700	Header	SHD106-0702-A06	メ ス ヘ ッ ダ ー		
D001	VT332900	Diode	1SS355 TE-17	ダ イ オ ー ド		01
-012	VT332900	Diode	1SS355 TE-17	ダ イ オ ー ド		01
D101	VT332900	Diode	1SS355 TE-17	ダ イ オ ー ド		01
-106	VT332900	Diode	1SS355 TE-17	ダ イ オ ー ド		01
D201	VT332900	Diode	1SS355 TE-17	ダ イ オ ー ド		01
-206	VT332900	Diode	1SS355 TE-17	ダ イ オ ー ド		01
EC301	WB349400	Encoder without NUT	SDB161PVB 765-0645	エンコーダナット無し		06
IC001	X5676A00	IC	NJM4558M (TE1)	I C	OP AMP	01
-004	X5676A00	IC	NJM4558M (TE1)	I C	OP AMP	01
IC005	X3505A00	IC	NJM2068M-D (TE2)	I C	OP AMP	02
IC006	X3505A00	IC	NJM2068M-D (TE2)	I C	OP AMP	02
IC101	X5676A00	IC	NJM4558M (TE1)	I C	OP AMP	01
IC102	X3505A00	IC	NJM2068M-D (TE2)	I C	OP AMP	02
-105	X3505A00	IC	NJM2068M-D (TE2)	I C	OP AMP	02
IC201	X5676A00	IC	NJM4558M (TE1)	I C	OP AMP	01
IC202	X3505A00	IC	NJM2068M-D (TE2)	I C	OP AMP	02
-205	X3505A00	IC	NJM2068M-D (TE2)	I C	OP AMP	02
IC301	X3505A00	IC	NJM2068M-D (TE2)	I C	OP AMP	02
-306	X3505A00	IC	NJM2068M-D (TE2)	I C	OP AMP	02
IC401	XM560A00	IC	NJM2060M-TE2	I C	OP AMP	02
-406	XM560A00	IC	NJM2060M-TE2	I C	OP AMP	02
IC408	X3505A00	IC	NJM2068M-D (TE2)	I C	OP AMP	02
-411	X3505A00	IC	NJM2068M-D (TE2)	I C	OP AMP	02
IC412	XZ348A00	IC	LB1423N	I C	LED DRIVER	02
-414	XZ348A00	IC	LB1423N	I C	LED DRIVER	02
LD001	WA097600	LED	3-00 DIFFUSED	L E D	FCL (CH1)	01
LD002	WA097600	LED	3-00 DIFFUSED	L E D	FCL (CH2)	01
LD003	WA097600	LED	3-00 DIFFUSED	L E D	FCL (CH3)	01
LD004	WA097600	LED	3-00 DIFFUSED	L E D	FCL (CH4)	01
LD101	WA097600	LED	3-00 DIFFUSED	L E D	FCL (CH5/6)	01
LD102	WA097600	LED	3-00 DIFFUSED	L E D	FCL (CH7/8)	01
LD201	WA097600	LED	3-00 DIFFUSED	L E D	FCL (CH9/10)	01
LD202	WA097600	LED	3-00 DIFFUSED	L E D	FCL (CH11/12)	01
LD301	WA097600	LED	3-00 DIFFUSED	L E D	EFFECT RTN ON	01
LD302	V9790600	LED	1-00 TRANSPARENT	L E D	PHANTOM	01
LD303	WA097500	LED	3-00 DIFFUSED	L E D	POWER	01
LD304	V9790600	LED	1-00 TRANSPARENT	L E D	STAND-BY (CH1-8 MUTE)	01
LD401	V9790400	LED	HFR203PJ-3-00	L E D	LIMITER A	01
LD402	V9790400	LED	HFR203PJ-3-00	L E D	LIMITER B	01
LD403	V9854500	LED	HFY803037P-50-0	L E D	YS PROCESSING	01
LD404	WA097600	LED	3-00 DIFFUSED	L E D	+6 (MAIN L)	01
LD405	WA097600	LED	3-00 DIFFUSED	L E D	+3 (MAIN L)	01
LD406	WA097600	LED	3-00 DIFFUSED	L E D	0 (MAIN L)	01
LD407	WA097500	LED	3-00 DIFFUSED	L E D	-5 (MAIN L)	01
LD408	WA097500	LED	3-00 DIFFUSED	L E D	-10 (MAIN L)	01
LD409	WA097600	LED	3-00 DIFFUSED	L E D	+6 (MAIN R)	01
LD410	WA097600	LED	3-00 DIFFUSED	L E D	+3 (MAIN R)	01
LD411	WA097600	LED	3-00 DIFFUSED	L E D	0 (MAIN R)	01
LD412	WA097500	LED	3-00 DIFFUSED	L E D	-5 (MAIN R)	01
LD413	WA097500	LED	3-00 DIFFUSED	L E D	-10 (MAIN R)	01
LD414	WA097600	LED	3-00 DIFFUSED	L E D	+6 (MONITOR)	01
LD415	WA097600	LED	3-00 DIFFUSED	L E D	+3 (MONITOR)	01
LD416	WA097600	LED	3-00 DIFFUSED	L E D	0 (MONITOR)	01
LD417	WA097500	LED	3-00 DIFFUSED	L E D	-5 (MONITOR)	01
LD418	WA097500	LED	3-00 DIFFUSED	L E D	-10 (MONITOR)	01
Q001	WC529400	Transistor	KTC3875S-Y, GR-RTK/	ト ラ ン ジ ス タ		
-004	WC529400	Transistor	KTC3875S-Y, GR-RTK/	ト ラ ン ジ ス タ		
Q101	WC529400	Transistor	KTC3875S-Y, GR-RTK/	ト ラ ン ジ ス タ		
Q102	WC529400	Transistor	KTC3875S-Y, GR-RTK/	ト ラ ン ジ ス タ		

*: New Parts

RANK: Japan only

REF NO.	PART NO.	DESCRIPTION	部 品 名	REMARKS	QTY	RANK
Q201	WC529400	Transistor	KTC3875S-Y, GR-RTK/			
Q202	WC529400	Transistor	KTC3875S-Y, GR-RTK/			
Q301	WC529400	Transistor	KTC3875S-Y, GR-RTK/			
Q304	WC756200	Transistor	2SC5938A A, B			
-307	WC756200	Transistor	2SC5938A A, B			01
Q409	VV655000	Digital Transistor	DTA114EKA			01
Q410	VV655000	Digital Transistor	DTA114EKA			01
Q411	VV655400	Digital Transistor	DTC114EKA			01
Q412	VV655400	Digital Transistor	DTC114EKA			01
R002	RD156180	Carbon Resistor (chip)	1.8K 1/4W J			01
R003	RD358470	Carbon Resistor (chip)	470K 1/16W J			01
R004	RD355470	Carbon Resistor (chip)	470 1/16W J			01
R005	RD356330	Carbon Resistor (chip)	3.3K 1/16W J			01
R006	RD356100	Carbon Resistor (chip)	1.0K 1/16W J			01
R007	RD357100	Carbon Resistor (chip)	10K 1/16W J			01
-009	RD357100	Carbon Resistor (chip)	10K 1/16W J			01
R010	RD357180	Carbon Resistor (chip)	18K 1/16W J			01
R011	RD357180	Carbon Resistor (chip)	18K 1/16W J			01
R012	RD357430	Carbon Resistor (chip)	43K 1/16W J			01
R013	RD356390	Carbon Resistor (chip)	3.9K 1/16W J			01
R014	RD355680	Carbon Resistor (chip)	680 1/16W J			01
R015	RD355680	Carbon Resistor (chip)	680 1/16W J			01
R016	RD357360	Carbon Resistor (chip)	36K 1/16W J			01
R017	RD357100	Carbon Resistor (chip)	10K 1/16W J			01
R018	RD356270	Carbon Resistor (chip)	2.7K 1/16W J			01
-020	RD356270	Carbon Resistor (chip)	2.7K 1/16W J			01
R021	RD356560	Carbon Resistor (chip)	5.6K 1/16W J			01
R023	RD156180	Carbon Resistor (chip)	1.8K 1/4W J			01
R024	RD358470	Carbon Resistor (chip)	470K 1/16W J			01
R025	RD355470	Carbon Resistor (chip)	470 1/16W J			01
R026	RD356330	Carbon Resistor (chip)	3.3K 1/16W J			01
R027	RD356100	Carbon Resistor (chip)	1.0K 1/16W J			01
R028	RD357100	Carbon Resistor (chip)	10K 1/16W J			01
-030	RD357100	Carbon Resistor (chip)	10K 1/16W J			01
R031	RD357180	Carbon Resistor (chip)	18K 1/16W J			01
R032	RD357180	Carbon Resistor (chip)	18K 1/16W J			01
R033	RD357430	Carbon Resistor (chip)	43K 1/16W J			01
R034	RD356390	Carbon Resistor (chip)	3.9K 1/16W J			01
R035	RD355680	Carbon Resistor (chip)	680 1/16W J			01
R036	RD355680	Carbon Resistor (chip)	680 1/16W J			01
R037	RD357360	Carbon Resistor (chip)	36K 1/16W J			01
R038	RD357100	Carbon Resistor (chip)	10K 1/16W J			01
R039	RD356270	Carbon Resistor (chip)	2.7K 1/16W J			01
-041	RD356270	Carbon Resistor (chip)	2.7K 1/16W J			01
R042	RD356560	Carbon Resistor (chip)	5.6K 1/16W J			01
R044	RD156180	Carbon Resistor (chip)	1.8K 1/4W J			01
R045	RD358470	Carbon Resistor (chip)	470K 1/16W J			01
R046	RD355470	Carbon Resistor (chip)	470 1/16W J			01
R047	RD356330	Carbon Resistor (chip)	3.3K 1/16W J			01
R048	RD356100	Carbon Resistor (chip)	1.0K 1/16W J			01
R049	RD357100	Carbon Resistor (chip)	10K 1/16W J			01
-051	RD357100	Carbon Resistor (chip)	10K 1/16W J			01
R052	RD357180	Carbon Resistor (chip)	18K 1/16W J			01
R053	RD357180	Carbon Resistor (chip)	18K 1/16W J			01
R054	RD357430	Carbon Resistor (chip)	43K 1/16W J			01
R055	RD356390	Carbon Resistor (chip)	3.9K 1/16W J			01
R056	RD355680	Carbon Resistor (chip)	680 1/16W J			01
R057	RD355680	Carbon Resistor (chip)	680 1/16W J			01
R058	RD357360	Carbon Resistor (chip)	36K 1/16W J			01
R059	RD357100	Carbon Resistor (chip)	10K 1/16W J			01
R060	RD356270	Carbon Resistor (chip)	2.7K 1/16W J			01
-062	RD356270	Carbon Resistor (chip)	2.7K 1/16W J			01
R063	RD356560	Carbon Resistor (chip)	5.6K 1/16W J			01
R065	RD156180	Carbon Resistor (chip)	1.8K 1/4W J			01
R066	RD358470	Carbon Resistor (chip)	470K 1/16W J			01
R067	RD355470	Carbon Resistor (chip)	470 1/16W J			01
R068	RD356330	Carbon Resistor (chip)	3.3K 1/16W J			01
R069	RD356100	Carbon Resistor (chip)	1.0K 1/16W J			01
R070	RD357100	Carbon Resistor (chip)	10K 1/16W J			01
-072	RD357100	Carbon Resistor (chip)	10K 1/16W J			01

*: New Parts

RANK: Japan only

REF NO.	PART NO.	DESCRIPTION	部 品 名	REMARKS	QTY	RANK
R073	RD357180	Carbon Resistor (chip)	18K 1/16W J	チ ッ プ 抵 抗		01
R074	RD357180	Carbon Resistor (chip)	18K 1/16W J	チ ッ プ 抵 抗		01
R075	RD357430	Carbon Resistor (chip)	43K 1/16W J	チ ッ プ 抵 抗		01
R076	RD356390	Carbon Resistor (chip)	3.9K 1/16W J	チ ッ プ 抵 抗		01
R077	RD355680	Carbon Resistor (chip)	680 1/16W J	チ ッ プ 抵 抗		01
R078	RD355680	Carbon Resistor (chip)	680 1/16W J	チ ッ プ 抵 抗		01
R079	RD357360	Carbon Resistor (chip)	36K 1/16W J	チ ッ プ 抵 抗		01
R080	RD357100	Carbon Resistor (chip)	10K 1/16W J	チ ッ プ 抵 抗		01
R081	RD356270	Carbon Resistor (chip)	2.7K 1/16W J	チ ッ プ 抵 抗		01
-083	RD356270	Carbon Resistor (chip)	2.7K 1/16W J	チ ッ プ 抵 抗		01
R084	RD356560	Carbon Resistor (chip)	5.6K 1/16W J	チ ッ プ 抵 抗		01
R085	RD357680	Carbon Resistor (chip)	68K 1/16W J	チ ッ プ 抵 抗		01
-088	RD357680	Carbon Resistor (chip)	68K 1/16W J	チ ッ プ 抵 抗		01
R090	RD355820	Carbon Resistor (chip)	820 1/16W J	チ ッ プ 抵 抗		01
-093	RD355820	Carbon Resistor (chip)	820 1/16W J	チ ッ プ 抵 抗		01
R094	RD358470	Carbon Resistor (chip)	470K 1/16W J	チ ッ プ 抵 抗		01
-097	RD358470	Carbon Resistor (chip)	470K 1/16W J	チ ッ プ 抵 抗		01
R101	RD357100	Carbon Resistor (chip)	10K 1/16W J	チ ッ プ 抵 抗		01
R102	RD355680	Carbon Resistor (chip)	680 1/16W J	チ ッ プ 抵 抗		01
R103	RD356270	Carbon Resistor (chip)	2.7K 1/16W J	チ ッ プ 抵 抗		01
R104	RD357100	Carbon Resistor (chip)	10K 1/16W J	チ ッ プ 抵 抗		01
R105	RD355680	Carbon Resistor (chip)	680 1/16W J	チ ッ プ 抵 抗		01
R106	RD356270	Carbon Resistor (chip)	2.7K 1/16W J	チ ッ プ 抵 抗		01
R107	RD357100	Carbon Resistor (chip)	10K 1/16W J	チ ッ プ 抵 抗		01
R108	RD355680	Carbon Resistor (chip)	680 1/16W J	チ ッ プ 抵 抗		01
R109	RD356270	Carbon Resistor (chip)	2.7K 1/16W J	チ ッ プ 抵 抗		01
R110	RD357100	Carbon Resistor (chip)	10K 1/16W J	チ ッ プ 抵 抗		01
R111	RD355680	Carbon Resistor (chip)	680 1/16W J	チ ッ プ 抵 抗		01
R112	RD356270	Carbon Resistor (chip)	2.7K 1/16W J	チ ッ プ 抵 抗		01
R113	RD357100	Carbon Resistor (chip)	10K 1/16W J	チ ッ プ 抵 抗		01
-117	RD357100	Carbon Resistor (chip)	10K 1/16W J	チ ッ プ 抵 抗		01
R118	RD355680	Carbon Resistor (chip)	680 1/16W J	チ ッ プ 抵 抗		01
R119	RD356270	Carbon Resistor (chip)	2.7K 1/16W J	チ ッ プ 抵 抗		01
R120	RD356270	Carbon Resistor (chip)	2.7K 1/16W J	チ ッ プ 抵 抗		01
R121	RD357100	Carbon Resistor (chip)	10K 1/16W J	チ ッ プ 抵 抗		01
R122	RD355680	Carbon Resistor (chip)	680 1/16W J	チ ッ プ 抵 抗		01
R123	RD356270	Carbon Resistor (chip)	2.7K 1/16W J	チ ッ プ 抵 抗		01
R124	RD356270	Carbon Resistor (chip)	2.7K 1/16W J	チ ッ プ 抵 抗		01
R125	RD357100	Carbon Resistor (chip)	10K 1/16W J	チ ッ プ 抵 抗		01
R126	RD355680	Carbon Resistor (chip)	680 1/16W J	チ ッ プ 抵 抗		01
R127	RD356270	Carbon Resistor (chip)	2.7K 1/16W J	チ ッ プ 抵 抗		01
R128	RD356270	Carbon Resistor (chip)	2.7K 1/16W J	チ ッ プ 抵 抗		01
R129	RD357100	Carbon Resistor (chip)	10K 1/16W J	チ ッ プ 抵 抗		01
R130	RD355680	Carbon Resistor (chip)	680 1/16W J	チ ッ プ 抵 抗		01
R131	RD356270	Carbon Resistor (chip)	2.7K 1/16W J	チ ッ プ 抵 抗		01
R132	RD356270	Carbon Resistor (chip)	2.7K 1/16W J	チ ッ プ 抵 抗		01
R133	RD357100	Carbon Resistor (chip)	10K 1/16W J	チ ッ プ 抵 抗		01
-136	RD357100	Carbon Resistor (chip)	10K 1/16W J	チ ッ プ 抵 抗		01
R137	RD357220	Carbon Resistor (chip)	22K 1/16W J	チ ッ プ 抵 抗		01
-140	RD357220	Carbon Resistor (chip)	22K 1/16W J	チ ッ プ 抵 抗		01
R143	RD358470	Carbon Resistor (chip)	470K 1/16W J	チ ッ プ 抵 抗		01
R144	RD358470	Carbon Resistor (chip)	470K 1/16W J	チ ッ プ 抵 抗		01
R145	RD356390	Carbon Resistor (chip)	3.9K 1/16W J	チ ッ プ 抵 抗		01
-148	RD356390	Carbon Resistor (chip)	3.9K 1/16W J	チ ッ プ 抵 抗		01
R149	RD356330	Carbon Resistor (chip)	3.3K 1/16W J	チ ッ プ 抵 抗		01
R150	RD356330	Carbon Resistor (chip)	3.3K 1/16W J	チ ッ プ 抵 抗		01
R151	RD357430	Carbon Resistor (chip)	43K 1/16W J	チ ッ プ 抵 抗		01
-154	RD357430	Carbon Resistor (chip)	43K 1/16W J	チ ッ プ 抵 抗		01
R155	RD356100	Carbon Resistor (chip)	1.0K 1/16W J	チ ッ プ 抵 抗		01
R156	RD356100	Carbon Resistor (chip)	1.0K 1/16W J	チ ッ プ 抵 抗		01
R157	RD156180	Carbon Resistor (chip)	1.8K 1/4W J	チ ッ プ 抵 抗		01
R158	RD156180	Carbon Resistor (chip)	1.8K 1/4W J	チ ッ プ 抵 抗		01
R159	RD356470	Carbon Resistor (chip)	4.7K 1/16W J	チ ッ プ 抵 抗		01
R160	RD356470	Carbon Resistor (chip)	4.7K 1/16W J	チ ッ プ 抵 抗		01
R161	RD356150	Carbon Resistor (chip)	1.5K 1/16W J	チ ッ プ 抵 抗		01
-164	RD356150	Carbon Resistor (chip)	1.5K 1/16W J	チ ッ プ 抵 抗		01
R165	RD356470	Carbon Resistor (chip)	4.7K 1/16W J	チ ッ プ 抵 抗		01
R166	RD356470	Carbon Resistor (chip)	4.7K 1/16W J	チ ッ プ 抵 抗		01
R167	RD357180	Carbon Resistor (chip)	18K 1/16W J	チ ッ プ 抵 抗		01
-170	RD357180	Carbon Resistor (chip)	18K 1/16W J	チ ッ プ 抵 抗		01

*: New Parts

RANK: Japan only

EMX212S

REF NO.	PART NO.	DESCRIPTION	部 品 名	REMARKS	QTY	RANK
R272	RD357180	Carbon Resistor (chip)	18K 1/16W J	チ ッ プ 抵 抗		01
R273	RD357220	Carbon Resistor (chip)	22K 1/16W J	チ ッ プ 抵 抗		01
R274	RD356300	Carbon Resistor (chip)	3.0K 1/16W J	チ ッ プ 抵 抗		01
R275	RD357680	Carbon Resistor (chip)	68K 1/16W J	チ ッ プ 抵 抗		01
R276	RD357680	Carbon Resistor (chip)	68K 1/16W J	チ ッ プ 抵 抗		01
R277	RD355820	Carbon Resistor (chip)	820 1/16W J	チ ッ プ 抵 抗		01
R278	RD355820	Carbon Resistor (chip)	820 1/16W J	チ ッ プ 抵 抗		01
R279	RD355470	Carbon Resistor (chip)	470 1/16W J	チ ッ プ 抵 抗		01
R280	RD358470	Carbon Resistor (chip)	470K 1/16W J	チ ッ プ 抵 抗		01
R281	RD355470	Carbon Resistor (chip)	470 1/16W J	チ ッ プ 抵 抗		01
R282	RD358470	Carbon Resistor (chip)	470K 1/16W J	チ ッ プ 抵 抗		01
R301	RD356680	Carbon Resistor (chip)	6.8K 1/16W J	チ ッ プ 抵 抗		01
R302	RD355750	Carbon Resistor (chip)	750 1/16W J	チ ッ プ 抵 抗		01
R303	RD356150	Carbon Resistor (chip)	1.5K 1/16W J	チ ッ プ 抵 抗		01
R304	RD356150	Carbon Resistor (chip)	1.5K 1/16W J	チ ッ プ 抵 抗		01
* R305	RD156270	Carbon Resistor (chip)	2.7K 1/4W J	チ ッ プ 抵 抗		01
R306	RD357180	Carbon Resistor (chip)	18K 1/16W J	チ ッ プ 抵 抗		01
R307	RD357180	Carbon Resistor (chip)	18K 1/16W J	チ ッ プ 抵 抗		01
R308	RD156180	Carbon Resistor (chip)	1.8K 1/4W J	チ ッ プ 抵 抗		01
R309	RD356100	Carbon Resistor (chip)	1.0K 1/16W J	チ ッ プ 抵 抗		01
R312	RD357180	Carbon Resistor (chip)	18K 1/16W J	チ ッ プ 抵 抗		01
R313	RD357180	Carbon Resistor (chip)	18K 1/16W J	チ ッ プ 抵 抗		01
R314	RD357430	Carbon Resistor (chip)	43K 1/16W J	チ ッ プ 抵 抗		01
R315	RD357430	Carbon Resistor (chip)	43K 1/16W J	チ ッ プ 抵 抗		01
R316	RD357360	Carbon Resistor (chip)	36K 1/16W J	チ ッ プ 抵 抗		01
R318	RD356470	Carbon Resistor (chip)	4.7K 1/16W J	チ ッ プ 抵 抗		01
R319	RD357100	Carbon Resistor (chip)	10K 1/16W J	チ ッ プ 抵 抗		01
* R320	RD156270	Carbon Resistor (chip)	2.7K 1/4W J	チ ッ プ 抵 抗		01
R321	RD357180	Carbon Resistor (chip)	18K 1/16W J	チ ッ プ 抵 抗		01
R322	RD357180	Carbon Resistor (chip)	18K 1/16W J	チ ッ プ 抵 抗		01
R323	RD357200	Carbon Resistor (chip)	20K 1/16W J	チ ッ プ 抵 抗		01
R324	RD357100	Carbon Resistor (chip)	10K 1/16W J	チ ッ プ 抵 抗		01
-327	RD357100	Carbon Resistor (chip)	10K 1/16W J	チ ッ プ 抵 抗		01
R328	RD357180	Carbon Resistor (chip)	18K 1/16W J	チ ッ プ 抵 抗		01
-333	RD357180	Carbon Resistor (chip)	18K 1/16W J	チ ッ プ 抵 抗		01
R334	RD357360	Carbon Resistor (chip)	36K 1/16W J	チ ッ プ 抵 抗		01
R335	RD357180	Carbon Resistor (chip)	18K 1/16W J	チ ッ プ 抵 抗		01
R336	RD357180	Carbon Resistor (chip)	18K 1/16W J	チ ッ プ 抵 抗		01
R337	RD357360	Carbon Resistor (chip)	36K 1/16W J	チ ッ プ 抵 抗		01
-342	RD357360	Carbon Resistor (chip)	36K 1/16W J	チ ッ プ 抵 抗		01
R343	RD358100	Carbon Resistor (chip)	100K 1/16W J	チ ッ プ 抵 抗		01
R344	RD358100	Carbon Resistor (chip)	100K 1/16W J	チ ッ プ 抵 抗		01
R345	RD356220	Carbon Resistor (chip)	2.2K 1/16W J	チ ッ プ 抵 抗		01
R346	RD357160	Carbon Resistor (chip)	16K 1/16W J	チ ッ プ 抵 抗		01
R347	RD358100	Carbon Resistor (chip)	100K 1/16W J	チ ッ プ 抵 抗		01
R348	RD358100	Carbon Resistor (chip)	100K 1/16W J	チ ッ プ 抵 抗		01
R349	RD357100	Carbon Resistor (chip)	10K 1/16W J	チ ッ プ 抵 抗		01
-352	RD357100	Carbon Resistor (chip)	10K 1/16W J	チ ッ プ 抵 抗		01
R401	RD356330	Carbon Resistor (chip)	3.3K 1/16W J	チ ッ プ 抵 抗		01
-403	RD356330	Carbon Resistor (chip)	3.3K 1/16W J	チ ッ プ 抵 抗		01
R404	RD357470	Carbon Resistor (chip)	47K 1/16W J	チ ッ プ 抵 抗		01
-424	RD357470	Carbon Resistor (chip)	47K 1/16W J	チ ッ プ 抵 抗		01
R425	RD355560	Carbon Resistor (chip)	560 1/16W J	チ ッ プ 抵 抗		01
-445	RD355560	Carbon Resistor (chip)	560 1/16W J	チ ッ プ 抵 抗		01
R446	RD357470	Carbon Resistor (chip)	47K 1/16W J	チ ッ プ 抵 抗		01
R447	RD357470	Carbon Resistor (chip)	47K 1/16W J	チ ッ プ 抵 抗		01
R448	RD356330	Carbon Resistor (chip)	3.3K 1/16W J	チ ッ プ 抵 抗		01
R449	RD356330	Carbon Resistor (chip)	3.3K 1/16W J	チ ッ プ 抵 抗		01
R450	RD357470	Carbon Resistor (chip)	47K 1/16W J	チ ッ プ 抵 抗		01
R451	RD356330	Carbon Resistor (chip)	3.3K 1/16W J	チ ッ プ 抵 抗		01
R452	RD358100	Carbon Resistor (chip)	100K 1/16W J	チ ッ プ 抵 抗		01
R453	RD358100	Carbon Resistor (chip)	100K 1/16W J	チ ッ プ 抵 抗		01
R456	RD358100	Carbon Resistor (chip)	100K 1/16W J	チ ッ プ 抵 抗		01
R457	RD357270	Carbon Resistor (chip)	27K 1/16W J	チ ッ プ 抵 抗		01
R470	RD357180	Carbon Resistor (chip)	18K 1/16W J	チ ッ プ 抵 抗		01
R471	RD357180	Carbon Resistor (chip)	18K 1/16W J	チ ッ プ 抵 抗		01
R476	RD358100	Carbon Resistor (chip)	100K 1/16W J	チ ッ プ 抵 抗		01
R477	RD357130	Carbon Resistor (chip)	13K 1/16W J	チ ッ プ 抵 抗		01
R478	RD357270	Carbon Resistor (chip)	27K 1/16W J	チ ッ プ 抵 抗		01
R479	RD355220	Carbon Resistor (chip)	220 1/16W J	チ ッ プ 抵 抗		01

*: New Parts

RANK: Japan only

REF NO.	PART NO.	DESCRIPTION	部 品 名	REMARKS	QTY	RANK	
R480	RD357270	Carbon Resistor (chip)	27K 1/16W J	チ ッ プ 抵 抗		01	
R481	RD357100	Carbon Resistor (chip)	10K 1/16W J	チ ッ プ 抵 抗		01	
R482	RD357120	Carbon Resistor (chip)	12K 1/16W J	チ ッ プ 抵 抗		01	
R483	RD357100	Carbon Resistor (chip)	10K 1/16W J	チ ッ プ 抵 抗		01	
R484	RD357180	Carbon Resistor (chip)	18K 1/16W J	チ ッ プ 抵 抗		01	
R485	RD357180	Carbon Resistor (chip)	18K 1/16W J	チ ッ プ 抵 抗		01	
R486	RD357680	Carbon Resistor (chip)	68K 1/16W J	チ ッ プ 抵 抗		01	
R487	RD356680	Carbon Resistor (chip)	6.8K 1/16W J	チ ッ プ 抵 抗		01	
R488	RD156300	Carbon Resistor (chip)	3K 1/4W J	チ ッ プ 抵 抗		01	
R489	RD156300	Carbon Resistor (chip)	3K 1/4W J	チ ッ プ 抵 抗		01	
R490	RD357120	Carbon Resistor (chip)	12K 1/16W J	チ ッ プ 抵 抗		01	
R491	RD357120	Carbon Resistor (chip)	12K 1/16W J	チ ッ プ 抵 抗		01	
R492	RD358100	Carbon Resistor (chip)	100K 1/16W J	チ ッ プ 抵 抗		01	
R493	RD354100	Carbon Resistor (chip)	10 1/16W J	チ ッ プ 抵 抗		01	
R494	RD354100	Carbon Resistor (chip)	10 1/16W J	チ ッ プ 抵 抗		01	
R495	RD358100	Carbon Resistor (chip)	100K 1/16W J	チ ッ プ 抵 抗		01	
R496	RD357680	Carbon Resistor (chip)	68K 1/16W J	チ ッ プ 抵 抗		01	
R497	RD357680	Carbon Resistor (chip)	68K 1/16W J	チ ッ プ 抵 抗		01	
R498	RD355220	Carbon Resistor (chip)	220 1/16W J	チ ッ プ 抵 抗		01	
R499	RD355220	Carbon Resistor (chip)	220 1/16W J	チ ッ プ 抵 抗		01	
R500	RD354100	Carbon Resistor (chip)	10 1/16W J	チ ッ プ 抵 抗		01	
R501	RD358100	Carbon Resistor (chip)	100K 1/16W J	チ ッ プ 抵 抗		01	
R502	RD354100	Carbon Resistor (chip)	10 1/16W J	チ ッ プ 抵 抗		01	
R503	RD358100	Carbon Resistor (chip)	100K 1/16W J	チ ッ プ 抵 抗		01	
R504	RD356470	Carbon Resistor (chip)	4.7K 1/16W J	チ ッ プ 抵 抗		01	
R505	RD356470	Carbon Resistor (chip)	4.7K 1/16W J	チ ッ プ 抵 抗		01	
R506	RF356390	Carbon Resistor (chip)	3.9K 1/16W D	チ ッ プ 抵 抗		01	
R507	RF356390	Carbon Resistor (chip)	3.9K 1/16W D	チ ッ プ 抵 抗		01	
R508	RF357820	Carbon Resistor (chip)	82K 1/16W D	チ ッ プ 抵 抗		01	
R509	RF357820	Carbon Resistor (chip)	82K 1/16W D	チ ッ プ 抵 抗		01	
R510	RD357100	Carbon Resistor (chip)	10K 1/16W J	チ ッ プ 抵 抗		01	
-512	RD357100	Carbon Resistor (chip)	10K 1/16W J	チ ッ プ 抵 抗		01	
R513	RD356470	Carbon Resistor (chip)	4.7K 1/16W J	チ ッ プ 抵 抗		01	
-515	RD356470	Carbon Resistor (chip)	4.7K 1/16W J	チ ッ プ 抵 抗		01	
R516	RD354100	Carbon Resistor (chip)	10 1/16W J	チ ッ プ 抵 抗		01	
R517	RD354100	Carbon Resistor (chip)	10 1/16W J	チ ッ プ 抵 抗		01	
R518	RD355750	Carbon Resistor (chip)	750 1/16W J	チ ッ プ 抵 抗		01	
-520	RD355750	Carbon Resistor (chip)	750 1/16W J	チ ッ プ 抵 抗		01	
R521	RD156150	Carbon Resistor (chip)	1.5K 1/4W J	チ ッ プ 抵 抗		01	
R522	RD357100	Carbon Resistor (chip)	10K 1/16W J	チ ッ プ 抵 抗		01	
-524	RD357100	Carbon Resistor (chip)	10K 1/16W J	チ ッ プ 抵 抗		01	
R525	RD155680	Carbon Resistor (chip)	680 1/4W J	チ ッ プ 抵 抗		01	
-533	RD155680	Carbon Resistor (chip)	680 1/4W J	チ ッ プ 抵 抗		01	
R534	RD358100	Carbon Resistor (chip)	100K 1/16W J	チ ッ プ 抵 抗		01	
R535	RD358100	Carbon Resistor (chip)	100K 1/16W J	チ ッ プ 抵 抗		01	
RJ001	RD350000	Carbon Resistor (chip)	0 1/16W J	チ ッ プ 抵 抗		01	
-008	RD350000	Carbon Resistor (chip)	0 1/16W J	チ ッ プ 抵 抗		01	
RJ011	RD350000	Carbon Resistor (chip)	0 1/16W J	チ ッ プ 抵 抗		01	
-034	RD350000	Carbon Resistor (chip)	0 1/16W J	チ ッ プ 抵 抗		01	
RJ036	RD350000	Carbon Resistor (chip)	0 1/16W J	チ ッ プ 抵 抗		01	
-038	RD350000	Carbon Resistor (chip)	0 1/16W J	チ ッ プ 抵 抗		01	
RJ043	RD350000	Carbon Resistor (chip)	0 1/16W J	チ ッ プ 抵 抗		01	
-046	RD350000	Carbon Resistor (chip)	0 1/16W J	チ ッ プ 抵 抗		01	
SW301	WA387900	Push Switch	PS-22E85NL (3.3X3.3)	ブ ッ シ ュ S W	EFFECT RTN ON	01	
SW302	V9683600	Push Switch	PS-22E85L52	ブ ッ シ ュ S W	PHANTOM ON/OFF	01	
SW303	V9683600	Push Switch	PS-22E85L52	ブ ッ シ ュ S W	STAND-BY (CH1-8 MUTE)	01	
SW501	V8058000	Slide Switch	1-P242BP_-JA6	ス ラ イ ド S W	POWER AMP	03	
SW502	V9683900	Push Switch	PS-42E85L (3.3X3.3)	ブ ッ シ ュ S W	YS PROCESSING ON/OFF	01	
△ *	SW601	WE248300	Push Switch	SY17-4-2 (UID1) / T	ブ ッ シ ュ S W	POWER ON/OFF	01
VR001	V8264700	Rotary Variable Resistor	B 50K XV09213YNP	ロ ー タ リ ー V R	HIGH (CH1)	03	
VR002	V8264700	Rotary Variable Resistor	B 50K XV09213YNP	ロ ー タ リ ー V R	MID (CH1)	03	
VR003	V8264700	Rotary Variable Resistor	B 50K XV09213YNP	ロ ー タ リ ー V R	LOW (CH1)	03	
VR004	V8264600	Rotary Variable Resistor	A 20K XV09213YNP	ロ ー タ リ ー V R	MONITOR (CH1)	03	
VR005	V9791000	Rotary Variable Resistor	B 20K XV09213YNP	ロ ー タ リ ー V R	EFFECT (CH1)	03	
VR006	V8264600	Rotary Variable Resistor	A 20K XV09213YNP	ロ ー タ リ ー V R	LEVEL (CH1)	03	
VR007	V8264700	Rotary Variable Resistor	B 50K XV09213YNP	ロ ー タ リ ー V R	HIGH (CH2)	03	
VR008	V8264700	Rotary Variable Resistor	B 50K XV09213YNP	ロ ー タ リ ー V R	MID (CH2)	03	
VR009	V8264700	Rotary Variable Resistor	B 50K XV09213YNP	ロ ー タ リ ー V R	LOW (CH2)	03	
VR010	V8264600	Rotary Variable Resistor	A 20K XV09213YNP	ロ ー タ リ ー V R	MONITOR (CH2)	03	
VR011	V9791000	Rotary Variable Resistor	B 20K XV09213YNP	ロ ー タ リ ー V R	EFFECT (CH2)	03	

*: New Parts

RANK: Japan only

REF NO.	PART NO.	DESCRIPTION	部 品 名	REMARKS	QTY	RANK
VR012	V8264600	Rotary Variable Resistor	A 20K XV09213YNP	ロータリ-VR	LEVEL (CH2)	03
VR013	V8264700	Rotary Variable Resistor	B 50K XV09213YNP	ロータリ-VR	HIGH (CH3)	03
VR014	V8264700	Rotary Variable Resistor	B 50K XV09213YNP	ロータリ-VR	MID (CH3)	03
VR015	V8264700	Rotary Variable Resistor	B 50K XV09213YNP	ロータリ-VR	LOW (CH3)	03
VR016	V8264600	Rotary Variable Resistor	A 20K XV09213YNP	ロータリ-VR	MONITOR (CH3)	03
VR017	V9791000	Rotary Variable Resistor	B 20K XV09213YNP	ロータリ-VR	EFFECT (CH3)	03
VR018	V8264600	Rotary Variable Resistor	A 20K XV09213YNP	ロータリ-VR	LEVEL (CH3)	03
VR019	V8264700	Rotary Variable Resistor	B 50K XV09213YNP	ロータリ-VR	HIGH (CH4)	03
VR020	V8264700	Rotary Variable Resistor	B 50K XV09213YNP	ロータリ-VR	MID (CH4)	03
VR021	V8264700	Rotary Variable Resistor	B 50K XV09213YNP	ロータリ-VR	LOW (CH4)	03
VR022	V8264600	Rotary Variable Resistor	A 20K XV09213YNP	ロータリ-VR	MONITOR (CH4)	03
VR023	V9791000	Rotary Variable Resistor	B 20K XV09213YNP	ロータリ-VR	EFFECT (CH4)	03
VR024	V8264600	Rotary Variable Resistor	A 20K XV09213YNP	ロータリ-VR	LEVEL (CH4)	03
VR101	V9791200	Rotary Variable Resistor	XV012313Y 1B50K	2連ロータリ-VR	HIGH (CH5/6)	04
VR102	V9791200	Rotary Variable Resistor	XV012313Y 1B50K	2連ロータリ-VR	MID (CH5/6)	04
VR103	V9791200	Rotary Variable Resistor	XV012313Y 1B50K	2連ロータリ-VR	LOW (CH5/6)	04
VR104	V8264600	Rotary Variable Resistor	A 20K XV09213YNP	ロータリ-VR	MONITOR (CH5/6)	03
VR105	V9791000	Rotary Variable Resistor	B 20K XV09213YNP	ロータリ-VR	EFFECT (CH5/6)	03
VR106	V8265100	Rotary Variable Resistor	A 20K XV012313	2連ロータリ-VR	LEVEL (CH5/6)	04
VR107	V9791200	Rotary Variable Resistor	XV012313Y 1B50K	2連ロータリ-VR	HIGH (CH7/8)	04
VR108	V9791200	Rotary Variable Resistor	XV012313Y 1B50K	2連ロータリ-VR	MID (CH7/8)	04
VR109	V9791200	Rotary Variable Resistor	XV012313Y 1B50K	2連ロータリ-VR	LOW (CH7/8)	04
VR110	V8264600	Rotary Variable Resistor	A 20K XV09213YNP	ロータリ-VR	MONITOR (CH7/8)	03
VR111	V9791000	Rotary Variable Resistor	B 20K XV09213YNP	ロータリ-VR	EFFECT (CH7/8)	03
VR112	V8265100	Rotary Variable Resistor	A 20K XV012313	2連ロータリ-VR	LEVEL (CH7/8)	04
VR201	V9791200	Rotary Variable Resistor	XV012313Y 1B50K	2連ロータリ-VR	HIGH (CH9/10)	04
VR202	V9791200	Rotary Variable Resistor	XV012313Y 1B50K	2連ロータリ-VR	MID (CH9/10)	04
VR203	V9791200	Rotary Variable Resistor	XV012313Y 1B50K	2連ロータリ-VR	LOW (CH9/10)	04
VR204	V8264600	Rotary Variable Resistor	A 20K XV09213YNP	ロータリ-VR	MONITOR (CH9/10)	03
VR205	V9791000	Rotary Variable Resistor	B 20K XV09213YNP	ロータリ-VR	EFFECT (CH9/10)	03
VR206	V8265100	Rotary Variable Resistor	A 20K XV012313	2連ロータリ-VR	LEVEL (CH9/10)	04
VR207	V9791200	Rotary Variable Resistor	XV012313Y 1B50K	2連ロータリ-VR	HIGH (CH11/12)	04
VR208	V9791200	Rotary Variable Resistor	XV012313Y 1B50K	2連ロータリ-VR	MID (CH11/12)	04
VR209	V9791200	Rotary Variable Resistor	XV012313Y 1B50K	2連ロータリ-VR	LOW (CH11/12)	04
VR210	V8264600	Rotary Variable Resistor	A 20K XV09213YNP	ロータリ-VR	MONITOR (CH11/12)	03
VR211	V9791000	Rotary Variable Resistor	B 20K XV09213YNP	ロータリ-VR	EFFECT (CH11/12)	03
VR212	V8265100	Rotary Variable Resistor	A 20K XV012313	2連ロータリ-VR	LEVEL (CH11/12)	04
VR301	V8264800	Rotary Variable Resistor	B 10K XV09213YNP	ロータリ-VR	PARAMETER	03
VR302	V8264600	Rotary Variable Resistor	A 20K XV09213YNP	ロータリ-VR	EFFECT RTN (MONITOR)	03
VR303	V8265100	Rotary Variable Resistor	A 20K XV012313	2連ロータリ-VR	EFFECT RTN (MAIN)	04
VR401	VU804300	Slide Variable Resistor	RS20H12KD028-YL	二連スライドVR	125 (MAIN)	03
VR402	VU804300	Slide Variable Resistor	RS20H12KD028-YL	二連スライドVR	250 (MAIN)	03
VR403	VU804300	Slide Variable Resistor	RS20H12KD028-YL	二連スライドVR	500 (MAIN)	03
VR404	VU804300	Slide Variable Resistor	RS20H12KD028-YL	二連スライドVR	1k (MAIN)	03
VR405	VU804300	Slide Variable Resistor	RS20H12KD028-YL	二連スライドVR	2k (MAIN)	03
VR406	VU804300	Slide Variable Resistor	RS20H12KD028-YL	二連スライドVR	4k (MAIN)	03
VR407	VU804300	Slide Variable Resistor	RS20H12KD028-YL	二連スライドVR	8k (MAIN)	03
VR408	VV044600	Slide Variable Resistor	RS20H11KD017-YL	スライドVR 20mm	125 (MONITOR)	03
VR409	VV044600	Slide Variable Resistor	RS20H11KD017-YL	スライドVR 20mm	250 (MONITOR)	03
VR410	VV044600	Slide Variable Resistor	RS20H11KD017-YL	スライドVR 20mm	500 (MONITOR)	03
VR411	VV044600	Slide Variable Resistor	RS20H11KD017-YL	スライドVR 20mm	1k (MONITOR)	03
VR412	VV044600	Slide Variable Resistor	RS20H11KD017-YL	スライドVR 20mm	2k (MONITOR)	03
VR413	VV044600	Slide Variable Resistor	RS20H11KD017-YL	スライドVR 20mm	4k (MONITOR)	03
VR414	VV044600	Slide Variable Resistor	RS20H11KD017-YL	スライドVR 20mm	8k (MONITOR)	03
* VR415	WE431400	Rotary Variable Resistor	B 50K XV012313	ロータリ-VR	MASTER (MONITOR)	
* VR416	WE431500	Rotary Variable Resistor	B 50K XV012313	2連ロータリ-VR	MASTER (MAIN)	
W601	--	Connector Assembly	B&C	東 線	(WE29940)	
W602	--	Connector Assembly	B&C	東 線	(WE29880)	
ZD001	VU171800	Zener Diode	UDZS4.7BTE-17 4.7V	ツェナーダイオード		01
-004	VU171800	Zener Diode	UDZS4.7BTE-17 4.7V	ツェナーダイオード		01
ZD101	VU171800	Zener Diode	UDZS4.7BTE-17 4.7V	ツェナーダイオード		01
ZD102	VU171800	Zener Diode	UDZS4.7BTE-17 4.7V	ツェナーダイオード		01
ZD201	VU171800	Zener Diode	UDZS4.7BTE-17 4.7V	ツェナーダイオード		01
ZD202	VU171800	Zener Diode	UDZS4.7BTE-17 4.7V	ツェナーダイオード		01
*	WE842700	Circuit Board	OUT (OS J 1/2)	OUTシート J	J (WE83470) (X6384D0)	
*	WE842800	Circuit Board	OUT (OS U 1/2)	OUTシート U	U, V, A, K, O (WE83480) (X6384D0)	
*	WE842900	Circuit Board	OUT (OS H 1/2)	OUTシート H	H, B, W (WE83490) (X6384D0)	
*	WE833800	Circuit Board	SPACER (OS J 2/2)	SPACERシート J	J (WE83470) (X6384D0)	

*: New Parts

RANK: Japan only

REF NO.	PART NO.	DESCRIPTION	部 品 名	REMARKS	QTY	RANK
*	WE833900	Circuit Board	SPACER (OS U 2/2)	SPACERシート U	U, V, A, K, O	
*	WE834000	Circuit Board	SPACER (OS H 2/2)	SPACERシート H	H, B, W (WE83490) (X6384D0)	
	--	Jumper Wire	0.55 TIN	ジャンパー線	(VA07890)	
	--	Connector Assembly	EARTH	線材 A s s y	(WE29950)	
△	C301	WB116000	Capacitor	1.0 275V U.C.S	規格認定コン	
△	C302	V5090300	Capacitor	2200P 250V U.C.S.V	規格認定コンKH	01
△	C303	V5090300	Capacitor	2200P 250V U.C.S.V	規格認定コンKH	01
△	C304	WB116000	Capacitor	1.0 275V U.C.S	規格認定コン	
	C305	VV082300	Mylar Capacitor	EMD250P10M7	フィルムコン	01
	C306	VV082300	Mylar Capacitor	EMD250P10M7	フィルムコン	01
	C307	WD707800	Ceramic Capacitor-B	2200P 1KV K	セラコン(B)	
	C308	WD707800	Ceramic Capacitor-B	2200P 1KV K	セラコン(B)	
	C309	VV082300	Mylar Capacitor	EMD250P10M7	フィルムコン	01
	C310	VV082300	Mylar Capacitor	EMD250P10M7	フィルムコン	01
△	C311	V6146500	Capacitor	1000P 250V J.U.C.S	規格認定コンKH	
△	C312	V6146500	Capacitor	1000P 250V J.U.C.S	規格認定コンKH	
	CN301	WA767700	Fasten Terminal	16611BL-2	ファストン端子	
	-303	WA767700	Fasten Terminal	16611BL-2	ファストン端子	
*	E301	WE679300	Terminal Plate	B88	ターミナル金具	
*	E302	WE679300	Terminal Plate	B88	ターミナル金具	
	J301	VA078900	Jumper Wire	0.55 TIN	ジャンパー線	U, V, A, K, O
	J302	VA078900	Jumper Wire	0.55 TIN	ジャンパー線	U, V, A, K, O
	JK301	VV089300	Phone Jack	H30280072N	ホンコネクタ	SPEAKERS A2
	JK302	VV089300	Phone Jack	H30280072N	ホンコネクタ	SPEAKERS B2
	JK303	V9460200	Receptacle	NL4/2MD-H	レセプタクル 2P	SPEAKERS A1
	JK304	V9460200	Receptacle	NL4/2MD-H	レセプタクル 2P	SPEAKERS B1
△	JK305	V5817000	AC Inlet	HF-301L	ACインレット 3P	AC IN
△	L301	WF610300	Coil	SC-10-E200H YOKO	コイル	
△	L302	WF610300	Coil	SC-10-E200H YOKO	コイル	
△	L303	WF514600	Coil	E148 SHORT RING	コイル 0.8 M H J	
△	L303	WG090600	Coil	E148 SHORT RING	コイル 0.8 M H J	
△	L303	WF514500	Coil	E148 SHORT RING	コイル 4 M H H, B, W	
△	L303	WG090700	Coil	E148 SHORT RING	コイル 4 M H H, B, W	
△	L304	WG090600	Coil	E148 SHORT RING	コイル 0.8 M H J	
△	L304	WF514600	Coil	E148 SHORT RING	コイル 0.8 M H J	
△	L304	WG090700	Coil	E148 SHORT RING	コイル 4 M H H, B, W	
△	L304	WF514500	Coil	E148 SHORT RING	コイル 4 M H H, B, W	
	L305	WD408800	Coil	1.7uH	空芯コイル 1.7 U	
	L306	WD408800	Coil	1.7uH	空芯コイル 1.7 U	
△	R301	HF458220	Carbon Resistor	220K 1/4W J	カーボン抵抗	01
△	R302	HF458220	Carbon Resistor	220K 1/4W J	カーボン抵抗	01
	R303	HV753470	Flame Proof C. Resistor	4.7 1/4W J	不燃化カーボン抵抗	01
	R304	HV753470	Flame Proof C. Resistor	4.7 1/4W J	不燃化カーボン抵抗	01
	R305	VC755500	Metal Oxide Film Resistor	4.7 2W J	酸化金属被膜抵抗	01
	R306	VC755500	Metal Oxide Film Resistor	4.7 2W J	酸化金属被膜抵抗	01
	R307	HV754220	Flame Proof C. Resistor	22 1/4W J	不燃化カーボン抵抗	01
	R308	HV754220	Flame Proof C. Resistor	22 1/4W J	不燃化カーボン抵抗	01
	W303	--	Connector Assembly	B&C	東線	(WE29940)
	W304	--	Connector Assembly	B&C	東線	(WE29930)
	W305	--	Connector Assembly	B&C	東線	(WF58250)
	--	Circuit Board	PA	PAシート	(WE74200) (X5971C0)	
	C101	UR847100	Electrolytic Cap.	10 25V	ケミコン	01
	C102	UR847100	Electrolytic Cap.	10 25V	ケミコン	01
	C103	UR866220	Electrolytic Cap.	2.2 50V	ケミコン	01
	C104	UR866220	Electrolytic Cap.	2.2 50V	ケミコン	01
	C105	US064100	Ceramic Capacitor-B (chip)	0.01 50V K	チップセラ(B)	01
	C106	US064100	Ceramic Capacitor-B (chip)	0.01 50V K	チップセラ(B)	01
	C108	US061470	Ceramic Capacitor-CH(chip)	47P 50V J	チップセラ(C H)	01
	C109	US061470	Ceramic Capacitor-CH(chip)	47P 50V J	チップセラ(C H)	01
	C113	UR838100	Electrolytic Cap.	100 16V	ケミコン	01
	C114	UR838100	Electrolytic Cap.	100 16V	ケミコン	01
	C115	UA652330	Mylar Capacitor	330P 50V K	マイラーコン	01
	C116	UA652330	Mylar Capacitor	330P 50V K	マイラーコン	01
	C117	VR169200	Monolithic Mylar Capacitor	EGQ-V1H474JL3	積層マイラーコン	01
	C118	VR169200	Monolithic Mylar Capacitor	EGQ-V1H474JL3	積層マイラーコン	01
	C119	FU451220	Mica Capacitor	22P 500V J	マイカコン	01
	C120	FU451220	Mica Capacitor	22P 500V J	マイカコン	01
*	C121	WE130500	Monolithic Ceramic Cap.	22P 500V J	チップ積層セラコン	

*: New Parts

RANK: Japan only

REF NO.	PART NO.	DESCRIPTION	部 品 名	REMARKS	QTY	RANK
* C122	WE130500	Monolithic Ceramic Cap.	22P 500V J	チップ積層セラコン		
C123	US064100	Ceramic Capacitor-B (chip)	0.01 50V K	チップセラ(B)		01
-128	US064100	Ceramic Capacitor-B (chip)	0.01 50V K	チップセラ(B)		01
* C129	WE130400	Monolithic Ceramic Cap.	10P 500V J	チップ積層セラコン		
* C130	WE130400	Monolithic Ceramic Cap.	10P 500V J	チップ積層セラコン		
C131	WE130500	Monolithic Ceramic Cap.	22P 500V J	チップ積層セラコン		
* C132	WE130500	Monolithic Ceramic Cap.	22P 500V J	チップ積層セラコン		
C133	UA953220	Mylar Capacitor	2200P 50V J	マイラーコン		01
-136	UA953220	Mylar Capacitor	2200P 50V J	マイラーコン		01
C153	VZ004000	Electrolytic Cap.	2.2 200V	ケミコンS K		01
-156	VZ004000	Electrolytic Cap.	2.2 200V	ケミコンS K		01
C157	UR838100	Electrolytic Cap.	100 16V	ケミコン		01
C158	UR838100	Electrolytic Cap.	100 16V	ケミコン		01
C159	US064100	Ceramic Capacitor-B (chip)	0.01 50V K	チップセラ(B)		01
-161	US064100	Ceramic Capacitor-B (chip)	0.01 50V K	チップセラ(B)		01
C166	US064100	Ceramic Capacitor-B (chip)	0.01 50V K	チップセラ(B)		01
C167	US064100	Ceramic Capacitor-B (chip)	0.01 50V K	チップセラ(B)		01
CN101	VK025800	Wire Trap	52147 14P TE	ワイヤートラップ		01
CN102	VB389800	Connector Base Post	PH 2P TE	コネクタベースポスト		01
CN103	VB389800	Connector Base Post	PH 2P TE	コネクタベースポスト		01
D107	VU171600	Zener Diode	UDZS3.9BTE-17 3.9V	ツェナーダイオード		01
D110	VT332900	Diode	1SS355 TE-17	ダイオード		01
-115	VT332900	Diode	1SS355 TE-17	ダイオード		01
* D116	WD844300	Diode (chip)	HSU83	チップダイオード		
* -123	WD844300	Diode (chip)	HSU83	チップダイオード		
D124	WD543900	Diode	1N4004 D0-41	ダイオード		
-127	WD543900	Diode	1N4004 D0-41	ダイオード		
D138	VT332900	Diode	1SS355 TE-17	ダイオード		01
D139	VT332900	Diode	1SS355 TE-17	ダイオード		01
IC101	X3505A00	IC	NJM2068M-D.(TE2)	I C		02
J101	--	Jumper Wire	0.55 TIN	ジャンパー線	(VA07890)	
-108	--	Jumper Wire	0.55 TIN	ジャンパー線	(VA07890)	
PR101	VL965100	Positive Thermistor	PTH9M04BE222TS2	ポジスタ		04
PR102	VL964800	Positive Thermistor	PTFM04BH222Q2N34B0	ポジスタ		04
Q101	VV655300	Digital Transistor	DTA144EKA	デジタルトランジスタ		01
-104	VV655300	Digital Transistor	DTA144EKA	デジタルトランジスタ		01
Q105	V2256200	FET	2SK246 GR	F E T		02
Q106	V2256200	FET	2SK246 GR	F E T		02
Q109	VV556500	Transistor	2SA1037AK Q, R, S	トランジスタ		01
Q110	VV556500	Transistor	2SA1037AK Q, R, S	トランジスタ		01
Q111	V7421800	Transistor	2SA1312 GR, BL	トランジスタ		01
Q112	V7421800	Transistor	2SA1312 GR, BL	トランジスタ		01
* Q113	WD841600	Transistor (chip)	2SC3143	チップトランジスタ		
* Q114	WD841600	Transistor (chip)	2SC3143	チップトランジスタ		
Q115	V7421800	Transistor	2SA1312 GR, BL	トランジスタ		01
Q116	V7421800	Transistor	2SA1312 GR, BL	トランジスタ		01
* Q117	WD835400	Transistor (chip)	2SA1740	チップトランジスタ		
* Q118	WD835400	Transistor (chip)	2SA1740	チップトランジスタ		
Q119	VV556400	Transistor	2SC2412K Q, R, S	トランジスタ		01
* Q120	WD835500	Transistor (chip)	2SC4548	チップトランジスタ		
Q121	VV556400	Transistor	2SC2412K Q, R, S	トランジスタ		01
* Q122	WD835500	Transistor (chip)	2SC4548	チップトランジスタ		
* -124	WD835500	Transistor (chip)	2SC4548	チップトランジスタ		
Q127	VV556400	Transistor	2SC2412K Q, R, S	トランジスタ		01
Q128	VV556500	Transistor	2SA1037AK Q, R, S	トランジスタ		01
Q129	VV556400	Transistor	2SC2412K Q, R, S	トランジスタ		01
Q130	VV556500	Transistor	2SA1037AK Q, R, S	トランジスタ		01
* Q131	WD835500	Transistor (chip)	2SC4548	チップトランジスタ		
* Q132	WD835500	Transistor (chip)	2SC4548	チップトランジスタ		
* Q133	WD835400	Transistor (chip)	2SA1740	チップトランジスタ		
* Q134	WD835400	Transistor (chip)	2SA1740	チップトランジスタ		
* Q160	WD841600	Transistor (chip)	2SC3143	チップトランジスタ		
* Q161	WD841600	Transistor (chip)	2SC3143	チップトランジスタ		
Q162	V2256200	FET	2SK246 GR	F E T		02
Q163	V2256200	FET	2SK246 GR	F E T		02
R101	RD355120	Carbon Resistor (chip)	120 1/16W J	チップ抵抗		01
R102	RD358470	Carbon Resistor (chip)	470K 1/16W J	チップ抵抗		01
R103	RD355120	Carbon Resistor (chip)	120 1/16W J	チップ抵抗		01
R104	RD358470	Carbon Resistor (chip)	470K 1/16W J	チップ抵抗		01
* R105	RF357510	Carbon Resistor (chip)	51K 1/16W D	チップ抵抗		

*: New Parts

RANK: Japan only

REF NO.	PART NO.	DESCRIPTION	部 品 名	REMARKS	QTY	RANK
* R106	RF357510	Carbon Resistor (chip)	51K 1/16W D	チ ッ プ 抵 抗		
R107	RD355120	Carbon Resistor (chip)	120 1/16W J	チ ッ プ 抵 抗		01
R108	RD355120	Carbon Resistor (chip)	120 1/16W J	チ ッ プ 抵 抗		01
* R109	RF357510	Carbon Resistor (chip)	51K 1/16W D	チ ッ プ 抵 抗		
* R110	RF357510	Carbon Resistor (chip)	51K 1/16W D	チ ッ プ 抵 抗		
R111	RF356100	Carbon Resistor (chip)	1.0K 1/16W D	チ ッ プ 抵 抗		01
R112	RF356100	Carbon Resistor (chip)	1.0K 1/16W D	チ ッ プ 抵 抗		01
R115	RD156220	Carbon Resistor (chip)	2.2K 1/4W J	チ ッ プ 抵 抗		01
R116	RD357220	Carbon Resistor (chip)	22K 1/16W J	チ ッ プ 抵 抗		01
R117	RD357220	Carbon Resistor (chip)	22K 1/16W J	チ ッ プ 抵 抗		01
R118	RD356330	Carbon Resistor (chip)	3.3K 1/16W J	チ ッ プ 抵 抗		01
R119	RD356330	Carbon Resistor (chip)	3.3K 1/16W J	チ ッ プ 抵 抗		01
R120	RD356220	Carbon Resistor (chip)	2.2K 1/16W J	チ ッ プ 抵 抗		01
R121	RD356220	Carbon Resistor (chip)	2.2K 1/16W J	チ ッ プ 抵 抗		01
R122	RD355100	Carbon Resistor (chip)	100 1/16W J	チ ッ プ 抵 抗		01
R123	RD358470	Carbon Resistor (chip)	470K 1/16W J	チ ッ プ 抵 抗		01
R124	RD355100	Carbon Resistor (chip)	100 1/16W J	チ ッ プ 抵 抗		01
R125	RD358470	Carbon Resistor (chip)	470K 1/16W J	チ ッ プ 抵 抗		01
R127	RD356130	Carbon Resistor (chip)	1.3K 1/16W J	チ ッ プ 抵 抗		01
R130	RD355100	Carbon Resistor (chip)	100 1/16W J	チ ッ プ 抵 抗		01
-133	RD355100	Carbon Resistor (chip)	100 1/16W J	チ ッ プ 抵 抗		01
R134	RD356220	Carbon Resistor (chip)	2.2K 1/16W J	チ ッ プ 抵 抗		01
R135	RD356220	Carbon Resistor (chip)	2.2K 1/16W J	チ ッ プ 抵 抗		01
R136	RD355560	Carbon Resistor (chip)	560 1/16W J	チ ッ プ 抵 抗		01
R137	RD355560	Carbon Resistor (chip)	560 1/16W J	チ ッ プ 抵 抗		01
* R138	WE457500	Carbon Resistor	11K 1/3W F	カ ー ボ ン 抵 抗		
* -141	WE457500	Carbon Resistor	11K 1/3W F	カ ー ボ ン 抵 抗		
R142	RD356150	Carbon Resistor (chip)	1.5K 1/16W J	チ ッ プ 抵 抗		01
R143	RD355220	Carbon Resistor (chip)	220 1/16W J	チ ッ プ 抵 抗		01
R144	RD356150	Carbon Resistor (chip)	1.5K 1/16W J	チ ッ プ 抵 抗		01
R145	RD355220	Carbon Resistor (chip)	220 1/16W J	チ ッ プ 抵 抗		01
R146	RD355120	Carbon Resistor (chip)	120 1/16W J	チ ッ プ 抵 抗		01
-151	RD355120	Carbon Resistor (chip)	120 1/16W J	チ ッ プ 抵 抗		01
R154	RD356750	Carbon Resistor (chip)	7.5K 1/16W J	チ ッ プ 抵 抗		01
-157	RD356750	Carbon Resistor (chip)	7.5K 1/16W J	チ ッ プ 抵 抗		01
* R158	RD157160	Carbon Resistor (chip)	16K 1/4W J	チ ッ プ 抵 抗		
* -161	RD157160	Carbon Resistor (chip)	16K 1/4W J	チ ッ プ 抵 抗		
R162	RD155680	Carbon Resistor (chip)	680 1/4W J	チ ッ プ 抵 抗		01
-165	RD155680	Carbon Resistor (chip)	680 1/4W J	チ ッ プ 抵 抗		01
R166	RD155330	Carbon Resistor (chip)	330 1/4W J	チ ッ プ 抵 抗		01
-169	RD155330	Carbon Resistor (chip)	330 1/4W J	チ ッ プ 抵 抗		01
R170	RD355100	Carbon Resistor (chip)	100 1/16W J	チ ッ プ 抵 抗		01
-173	RD355100	Carbon Resistor (chip)	100 1/16W J	チ ッ プ 抵 抗		01
R174	RD154330	Carbon Resistor (chip)	33 1/4W J	チ ッ プ 抵 抗		01
-177	RD154330	Carbon Resistor (chip)	33 1/4W J	チ ッ プ 抵 抗		01
R178	RD353470	Carbon Resistor (chip)	4.7 1/16W J	チ ッ プ 抵 抗		01
-181	RD353470	Carbon Resistor (chip)	4.7 1/16W J	チ ッ プ 抵 抗		01
R182	RD354220	Carbon Resistor (chip)	22 1/16W J	チ ッ プ 抵 抗		01
-185	RD354220	Carbon Resistor (chip)	22 1/16W J	チ ッ プ 抵 抗		01
R186	VC752900	Metal Oxide Film Resistor	0.47 2W J	酸 化 金 属 被 膜 抵 抗		01
-193	VC752900	Metal Oxide Film Resistor	0.47 2W J	酸 化 金 属 被 膜 抵 抗		01
R194	RD353470	Carbon Resistor (chip)	4.7 1/16W J	チ ッ プ 抵 抗		01
-197	RD353470	Carbon Resistor (chip)	4.7 1/16W J	チ ッ プ 抵 抗		01
R198	RD354220	Carbon Resistor (chip)	22 1/16W J	チ ッ プ 抵 抗		01
-201	RD354220	Carbon Resistor (chip)	22 1/16W J	チ ッ プ 抵 抗		01
R202	VC752900	Metal Oxide Film Resistor	0.47 2W J	酸 化 金 属 被 膜 抵 抗		01
-209	VC752900	Metal Oxide Film Resistor	0.47 2W J	酸 化 金 属 被 膜 抵 抗		01
R226	RD158100	Carbon Resistor (chip)	100K 1/4W J	チ ッ プ 抵 抗		01
-229	RD158100	Carbon Resistor (chip)	100K 1/4W J	チ ッ プ 抵 抗		01
R230	RF355910	Carbon Resistor (chip)	910 1/16W D	チ ッ プ 抵 抗		01
* R231	RF355910	Carbon Resistor (chip)	910 1/16W D	チ ッ プ 抵 抗		
R276	RD355240	Carbon Resistor (chip)	240 1/16W J	チ ッ プ 抵 抗		01
R277	RD355240	Carbon Resistor (chip)	240 1/16W J	チ ッ プ 抵 抗		01
R280	RD156680	Carbon Resistor (chip)	6.8K 1/4W J	チ ッ プ 抵 抗		01
R281	RD156680	Carbon Resistor (chip)	6.8K 1/4W J	チ ッ プ 抵 抗		01
R282	RD357100	Carbon Resistor (chip)	10K 1/16W J	チ ッ プ 抵 抗		01
R283	RD357100	Carbon Resistor (chip)	10K 1/16W J	チ ッ プ 抵 抗		01
R284	RD153470	Carbon Resistor (chip)	4.7 1/4W J	チ ッ プ 抵 抗		01
R290	RD356470	Carbon Resistor (chip)	4.7K 1/16W J	チ ッ プ 抵 抗		01
R291	RD356470	Carbon Resistor (chip)	4.7K 1/16W J	チ ッ プ 抵 抗		01

*: New Parts

RANK: Japan only

REF NO.	PART NO.	DESCRIPTION	部 品 名	REMARKS	QTY	RANK
VR103	VA787500	Trimmer Potentiometer	B470 AX 3P	半 固 定 V R		01
VR104	VA787500	Trimmer Potentiometer	B470 AX 3P	半 固 定 V R		01
W101	---	Connector Assembly	B&C	東 東 東 東 東 東	(WE29900)	
W102	---	Connector Assembly	B&C	東 東 東 東 東 東	(WE29820)	
W103	---	Connector Assembly	B&C	東 東 東 東 東 東	(WE29910)	
W106	---	Connector Assembly	B&C	東 東 東 東 東 東	(WE29850)	
W107	---	Connector Assembly	B&C	東 東 東 東 東 東	(WE29860)	
*	WD949100	Circuit Board	PS	P S シ ー ト J	(X5978C0)	
*	WD949200	Circuit Board	PS	P S シ ー ト U	(X5978C0)	
*	WD949300	Circuit Board	PS	P S シ ー ト H	(X5978C0)	
*	WD949400	Circuit Board	PS	P S シ ー ト A	(X5978C0)	
	WA772200	Fuse Holder	PIN WL-211	ヒ ュ ー ズ ホ ル ダ	J, U, V	2
	VU801500	Fuse Holder	PIN WL-210A	ヒ ュ ー ズ ホ ル ダ	H, B, W, A, K, O	2
	VA119100	Heat Sink	SNAP-ON MOUNT TYPE	ヒ ー ト シ ン ク		01
	---	Jumper Wire	0.55 TIN	ジ ャ ン パ ー 線	(VA07890)	
	---	Heat Sink Unit	L100	ヒ ー ト シ ン ク ユ ニ ッ ト	(WF62610)	
	---	Heat Sink Unit	L50	ヒ ー ト シ ン ク ユ ニ ッ ト	(WF62640)	
	---	Heat Sink Unit	L50	ヒ ー ト シ ン ク ユ ニ ッ ト	(WF62650)	
	---	Heat Sink Unit	L70	ヒ ー ト シ ン ク ユ ニ ッ ト	(WF62670)	
	---	Heat Sink Unit	L70	ヒ ー ト シ ン ク ユ ニ ッ ト	(WF62680)	
	---	Heat Sink Unit	L70	ヒ ー ト シ ン ク ユ ニ ッ ト	(WF62690)	
C402	VR168300	Monolithic Mylar Capacitor	EQQ-V1H104JL3	積 層 マ イ ラ ー コ ン		01
C403	UR877470	Electrolytic Cap.	47 63V	ケ ミ コ ン		01
C404	UR858220	Electrolytic Cap.	220 35V	ケ ミ コ ン		01
C405	UR867100	Electrolytic Cap.	10 50V	ケ ミ コ ン		01
C406	UA652470	Mylar Capacitor	470P 50V J	マ イ ラ ー コ ン		01
C407	VR168300	Monolithic Mylar Capacitor	EQQ-V1H104JL3	積 層 マ イ ラ ー コ ン		01
C408	UR867100	Electrolytic Cap.	10 50V	ケ ミ コ ン		01
C409	WE739400	Electrolytic Cap.	1500 200V	ケ ミ コ ン		
C410	WE739400	Electrolytic Cap.	1500 200V	ケ ミ コ ン		
C412	WE741800	Polypropylene Capacitor	0.82 400V J	P P コ ン	J	
C412	WB543800	Polypropylene Capacitor	0.47 400V J	P P コ ン	U, H, B, V, W, A, K, O	
C414	UA652470	Mylar Capacitor	470P 50V J	マ イ ラ ー コ ン		01
C415	VR168300	Monolithic Mylar Capacitor	EQQ-V1H104JL3	積 層 マ イ ラ ー コ ン		01
C416	UR866100	Electrolytic Cap.	1.0 50V	ケ ミ コ ン		01
C417	UA653470	Mylar Capacitor	4700P 50V J	マ イ ラ ー コ ン		01
C418	FG651150	Ceramic Capacitor-SL	15P 50V J	セ ラ コ ン(S L)		01
C419	V6146500	Capacitor	1000P 250V J. U. C. S	規 格 認 定 コ ン K H		
C420	WD885400	Electrolytic Cap.	470 50V	ケ ミ コ ン P S		
C421	WD885400	Electrolytic Cap.	470 50V	ケ ミ コ ン P S		
C422	VR168300	Monolithic Mylar Capacitor	EQQ-V1H104JL3	積 層 マ イ ラ ー コ ン		01
C423	WD885500	Electrolytic Cap.	220 35V	ケ ミ コ ン P S		
C425	WE739900	Electrolytic Cap.	470 100V	ケ ミ コ ン H E		
C426	WE739900	Electrolytic Cap.	470 100V	ケ ミ コ ン H E		
C428	UR858220	Electrolytic Cap.	220 35V	ケ ミ コ ン		01
C429	UR867100	Electrolytic Cap.	10 50V	ケ ミ コ ン		01
-433	UR867100	Electrolytic Cap.	10 50V	ケ ミ コ ン		01
C434	UR858100	Electrolytic Cap.	100 35V	ケ ミ コ ン		01
C435	WE527600	Electrolytic Cap.	1.0 400V	ケ ミ コ ン V K		
C436	VF611200	Monolithic Ceramic Cap.	0.1 50V Z	積 層 セ ラ コ ン		02
-439	VF611200	Monolithic Ceramic Cap.	0.1 50V Z	積 層 セ ラ コ ン		02
C440	UA654100	Mylar Capacitor	0.01 50V J	マ イ ラ ー コ ン		01
C441	VR168300	Monolithic Mylar Capacitor	EQQ-V1H104JL3	積 層 マ イ ラ ー コ ン		01
C442	VF611200	Monolithic Ceramic Cap.	0.1 50V Z	積 層 セ ラ コ ン		02
C443	WE739900	Electrolytic Cap.	470 100V	ケ ミ コ ン H E		
C444	WE739900	Electrolytic Cap.	470 100V	ケ ミ コ ン H E		
C445	VF611200	Monolithic Ceramic Cap.	0.1 50V Z	積 層 セ ラ コ ン		02
C446	VF611200	Monolithic Ceramic Cap.	0.1 50V Z	積 層 セ ラ コ ン		02
C447	VR168300	Monolithic Mylar Capacitor	EQQ-V1H104JL3	積 層 マ イ ラ ー コ ン		01
C448	UR867100	Electrolytic Cap.	10 50V	ケ ミ コ ン		01
C449	UA652470	Mylar Capacitor	470P 50V J	マ イ ラ ー コ ン		01
C450	WF723700	Ceramic Capacitor-B	150P 1KV K	セ ラ コ ン B		
C451	WF723700	Ceramic Capacitor-B	150P 1KV K	セ ラ コ ン B		
C452	VR168300	Monolithic Mylar Capacitor	EQQ-V1H104JL3	積 層 マ イ ラ ー コ ン		01
CN401	WA767700	Fasten Terminal	16611BL-2	フ ァ ス ト ン 端 子		
CN402	WA767700	Fasten Terminal	16611BL-2	フ ァ ス ト ン 端 子		
CN404	VB389800	Connector Base Post	PH 2P TE	コ ネ ク タ ベ ー ス ポ ス ト		01
CN406	WA767700	Fasten Terminal	16611BL-2	フ ァ ス ト ン 端 子		
-408	WA767700	Fasten Terminal	16611BL-2	フ ァ ス ト ン 端 子		

*: New Parts

RANK: Japan only

REF NO.	PART NO.	DESCRIPTION	部 品 名	REMARKS	QTY	RANK
CN410	WA767700	Fasten Terminal	16611BL-2	ファ ス ト ン 端 子		
CN411	WA767700	Fasten Terminal	16611BL-2	ファ ス ト ン 端 子		
CN415	VK025800	Wire Trap	52147 14P TE	ワイヤートラップ		01
CN416	VK025700	Wire Trap	52147 13P TE	ワイヤートラップ		01
D402	VD631600	Diode	1SS133, 176, HSS104	ダイオード		01
-405	VD631600	Diode	1SS133, 176, HSS104	ダイオード		01
D409	VD631600	Diode	1SS133, 176, HSS104	ダイオード		01
D411	WA757600	Diode	AL01Z	ダイオード		05
-417	WA757600	Diode	AL01Z	ダイオード		05
D418	VG443700	Zener Diode	MTZ J 33B 33V	ツェナーダイオード		01
D419	VD631600	Diode	1SS133, 176, HSS104	ダイオード		01
D421	VN771700	Diode	D1NS4	ダイオード		01
-426	VN771700	Diode	D1NS4	ダイオード		01
D427	WD543900	Diode	1N4004 DO-41	ダイオード		
D428	VG440800	Zener Diode	MTZ J 15B 15V	ツェナーダイオード		01
D429	WD543900	Diode	1N4004 DO-41	ダイオード		
D430	VD631600	Diode	1SS133, 176, HSS104	ダイオード		01
D431	V8629800	Diode	AG01A WS	ダイオード		01
F401	KB001390	Fuse	10A U	ヒューズ	J, U, V	03
F401	VT943000	Fuse	TH 3. 15A S	ヒューズ 250V	H, B, W, A, K, O	
IC401	X2383A00	IC	SG3525AN	I C	REGULATING PWM	03
IC402	X5908A00	IC	L6385	I C C	DRIVER	
IC403	XJ603A00	IC	NJM78M15FA	I C	REGULATOR +15V	02
J401	VA078900	Jumper Wire	0. 55 TIN	ジャンパー線	J, U, V	
J402	VA078900	Jumper Wire	0. 55 TIN	ジャンパー線	J, U, V	
J403	VA078900	Jumper Wire	0. 55 TIN	ジャンパー線	H, B, W, A, K, O	
L401	GE300670	Ferrite Bead	BL02RN2-R62T4	フェライトビーズ		02
-403	GE300670	Ferrite Bead	BL02RN2-R62T4	フェライトビーズ		02
PH401	V8100500	Photo Coupler	TLP421 GR	フォトカプラー		01
Q401	VV911900	Digital Transistor	DTC114ESA	デジタルトランジスタ		01
Q402	V2797600	Transistor	2SA1993 E, F	トランジスタ		01
Q403	VV911900	Digital Transistor	DTC114ESA	デジタルトランジスタ		01
Q404	VD678500	Digital Transistor	DTA114ES	デジタルトランジスタ		01
Q405	V8093300	Transistor	2SA1924	トランジスタ		02
Q408	VV911900	Digital Transistor	DTC114ESA	デジタルトランジスタ		01
Q410	VV911900	Digital Transistor	DTC114ESA	デジタルトランジスタ		01
Q411	V2797600	Transistor	2SA1993 E, F	トランジスタ		01
Q412	V2797700	Transistor	2SC5395 E, F	トランジスタ		01
Q413	V2797700	Transistor	2SC5395 E, F	トランジスタ		01
Q414	WD886500	IGBT	IRGB10B60KDPBF	I G B T		
Q415	VV911900	Digital Transistor	DTC114ESA	デジタルトランジスタ		01
Q417	V2797600	Transistor	2SA1993 E, F	トランジスタ		01
R403	HF457100	Carbon Resistor	10K 1/4W J	カーボン抵抗		01
R404	HB027180	Metal Film Resistor	18K 1/4W F	金属被膜抵抗		01
R405	HF455560	Carbon Resistor	560 1/4W J	カーボン抵抗		01
R406	HF455560	Carbon Resistor	560 1/4W J	カーボン抵抗		01
R407	HF455820	Carbon Resistor	820 1/4W J	カーボン抵抗		01
R408	VC766300	Metal Oxide Film Resistor	100K 2W J	酸化金属被膜抵抗		01
R409	VC766300	Metal Oxide Film Resistor	100K 2W J	酸化金属被膜抵抗		01
R410	HF457240	Carbon Resistor	24K 1/4W J	カーボン抵抗		01
R411	HF458120	Carbon Resistor	120K 1/4W J	カーボン抵抗		01
R412	HF457100	Carbon Resistor	10K 1/4W J	カーボン抵抗		01
R413	HF454220	Carbon Resistor	22 1/4W J	カーボン抵抗		01
R414	HF457240	Carbon Resistor	24K 1/4W J	カーボン抵抗		01
R415	HF457240	Carbon Resistor	24K 1/4W J	カーボン抵抗		01
R417	HF457100	Carbon Resistor	10K 1/4W J	カーボン抵抗		01
R418	VN067400	Wire Wound Resistor	6. 8 5W K	セメント抵抗		03
R419	HV754330	Flame Proof C. Resistor	33 1/4W J	不燃化カーボン抵抗		01
R420	HF457330	Carbon Resistor	33K 1/4W J	カーボン抵抗		01
R421	HV754330	Flame Proof C. Resistor	33 1/4W J	不燃化カーボン抵抗		01
R422	HF457100	Carbon Resistor	10K 1/4W J	カーボン抵抗		01
R423	HF457100	Carbon Resistor	10K 1/4W J	カーボン抵抗		01
R424	VN067400	Wire Wound Resistor	6. 8 5W K	セメント抵抗		03
R425	HF457100	Carbon Resistor	10K 1/4W J	カーボン抵抗		01
R426	VZ370200	Wire Wound Resistor	0. 1 5W K	セメント抵抗		01
R428	HF456510	Carbon Resistor	5. 1K 1/4W J	カーボン抵抗		01
R429	HV753100	Flame Proof C. Resistor	1. 0 1/4W J	不燃化カーボン抵抗		01
R430	HV753100	Flame Proof C. Resistor	1. 0 1/4W J	不燃化カーボン抵抗		01
R431	HF456510	Carbon Resistor	5. 1K 1/4W J	カーボン抵抗		01
R432	HF457470	Carbon Resistor	47K 1/4W J	カーボン抵抗		01

*: New Parts

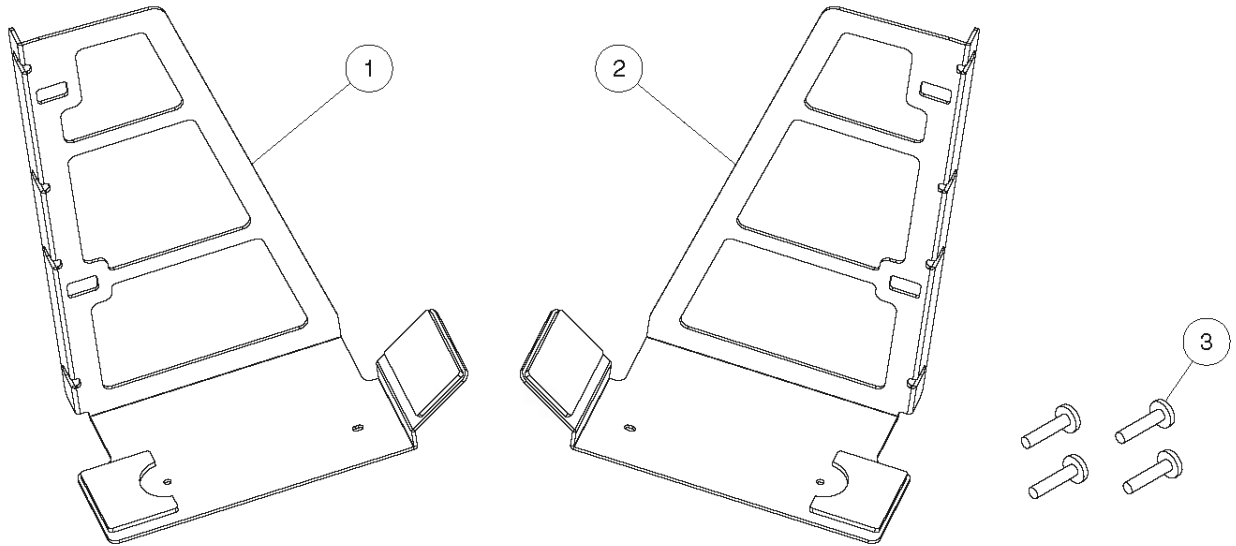
RANK: Japan only

REF NO.	PART NO.	DESCRIPTION	部 品 名	REMARKS	QTY	RANK
R433	HF457330	Carbon Resistor	33K 1/4W J	カ ー ボ ン 抵 抗		01
R434	HF457300	Carbon Resistor	30K 1/4W J	カ ー ボ ン 抵 抗		01
R436	HF457820	Carbon Resistor	82K 1/4W J	カ ー ボ ン 抵 抗		01
R437	HF457100	Carbon Resistor	10K 1/4W J	カ ー ボ ン 抵 抗		01
* R438	HB028120	Metal Film Resistor	120K 1/4W F	金 属 被 膜 抵 抗		
* R439	HB028120	Metal Film Resistor	120K 1/4W F	金 属 被 膜 抵 抗		
R440	VC759500	Metal Oxide Film Resistor	220 2W J	酸 化 金 属 被 膜 抵 抗		01
R441	HV753220	Flame Proof C. Resistor	2.2 1/4W J	不 燃 化 カ ー ボ ン 抵 抗		01
R442	HV753220	Flame Proof C. Resistor	2.2 1/4W J	不 燃 化 カ ー ボ ン 抵 抗		01
R443	HF457150	Carbon Resistor	15K 1/4W J	カ ー ボ ン 抵 抗		01
R444	HF457100	Carbon Resistor	10K 1/4W J	カ ー ボ ン 抵 抗		01
R445	HF457100	Carbon Resistor	10K 1/4W J	カ ー ボ ン 抵 抗		01
* R446	HB028120	Metal Film Resistor	120K 1/4W F	金 属 被 膜 抵 抗		
* R447	HB028120	Metal Film Resistor	120K 1/4W F	金 属 被 膜 抵 抗		
R448	HF456120	Carbon Resistor	1.2K 1/4W J	カ ー ボ ン 抵 抗		01
R449	HF456470	Carbon Resistor	4.7K 1/4W J	カ ー ボ ン 抵 抗		01
R450	HF457240	Carbon Resistor	24K 1/4W J	カ ー ボ ン 抵 抗		01
R451	HF457240	Carbon Resistor	24K 1/4W J	カ ー ボ ン 抵 抗		01
R452	HF457100	Carbon Resistor	10K 1/4W J	カ ー ボ ン 抵 抗		01
R453	HV753100	Flame Proof C. Resistor	1.0 1/4W J	不 燃 化 カ ー ボ ン 抵 抗		01
R454	HV753100	Flame Proof C. Resistor	1.0 1/4W J	不 燃 化 カ ー ボ ン 抵 抗		01
R457	HF456510	Carbon Resistor	5.1K 1/4W J	カ ー ボ ン 抵 抗		01
* R459	VC742100	Metal Oxide Film Resistor	6.8 1W J	酸 化 金 属 被 膜 抵 抗		
* R460	VC742100	Metal Oxide Film Resistor	6.8 1W J	酸 化 金 属 被 膜 抵 抗		
R461	HF453680	Carbon Resistor	6.8 1/4W J	カ ー ボ ン 抵 抗		01
⚠ RY401	VZ003600	Relay	DC OSZ-SS-124DM8	リ レ ー 2 4 V		05
* T401	X5942B00	Power Transformer	DENAN E	電 源 ト ラ ン ス J		
* T401	X5943B00	Power Transformer	UL CSA A	電 源 ト ラ ン ス U, V, A		
* T401	X5944B00	Power Transformer	GE E	電 源 ト ラ ン ス H, B, W, K, O		
W401	--	Connector Assembly	GND	線 材 A s s y	(WE57120)	
W402	--	Connector Assembly	GND	線 材 A s s y	(WE57120)	
	WC521600	Fan	GD85NJ200010	D C フ ァ ン		06

*: New Parts

RANK: Japan only

■ RK512 RACK MOUNT KIT (ラックマウントキット)



REF NO.	PART NO.	DESCRIPTION	部 品 名	REMARKS	QTY	RANK
* 1	WE773200	RACK MOUNT KIT	ラックマウントキット	RK512		
* 2	WE773300	Rack Fix L Assembly	ラック金具L Ass'y			
* 3	WE980800	Rack Fix R Assembly	ラック金具R Ass'y			
		Bind Head Tapping Screw-P 4x16 MFZN2B3	P タイト + B I N D		4	

*: New Parts

RANK: Japan only

POWERED MIXER

EMX212s

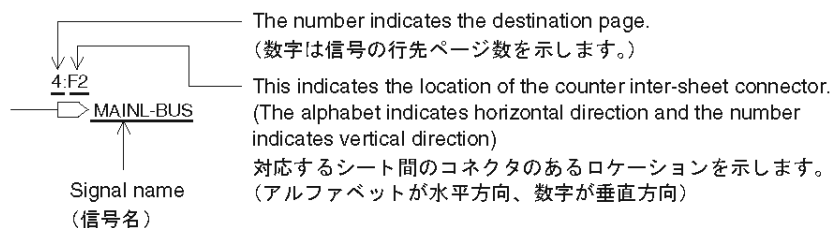
CIRCUIT DIAGRAM

■ CONTENTS (目次)

IC & DIODE OUTSIDE FIGURE (外形図)	2
BLOCK & LEVEL DIAGRAM (ブロック & レベルダイアグラム)	3
CIRCUIT DIAGRAM (回路図)	
DSP	4
JACK (1, 2)	5
MIX (1-5)	7
OUT	12
PA	13
PS, SW	14

Notation for Circuit Diagrams (回路図表記上の注意)


- How to identify inter-sheet connectors. (シート間コネクタの読み方について)




Note: See parts list for details of circuit board component parts.

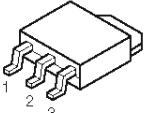
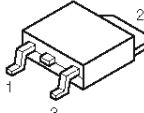
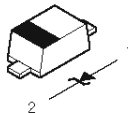
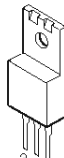
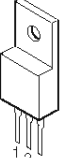
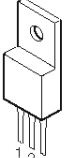
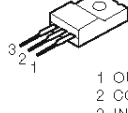
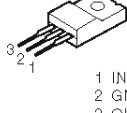
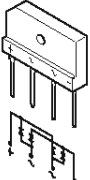


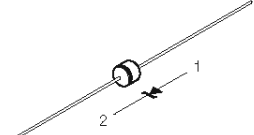
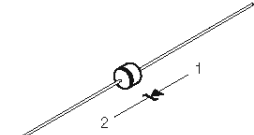
注：シートの部品詳細はパーツリストをご参照ください。

■ WARNING (注意)

Components having special characteristics are marked  and must be replaced with parts having specification equal to those originally installed.

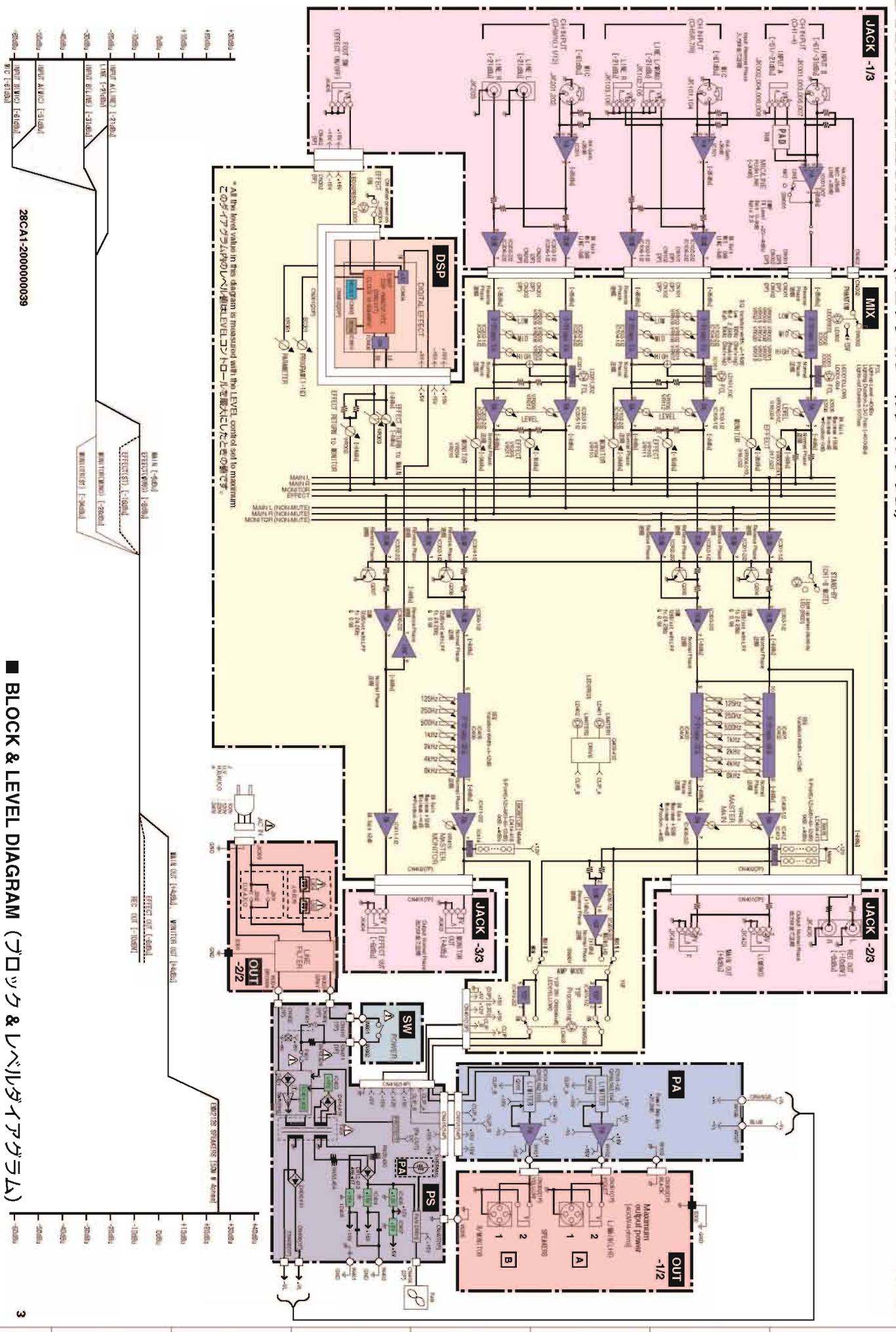
 印の部品は、安全を維持するために重要な部品です。交換する場合は、安全のために必ず指定の部品をご使用ください。

■ IC & DIODE OUTSIDE FIGURE (外形図)

<p>• RH5RZ25CA-T1 (X3679A00) REGULATOR +2.5V DSP:ICM05</p>  <p>1 GND 2 V in 3 V out</p>	<p>• μPC2933AT-E1 (X0638A00) REGULATOR +3.3V DSP:ICM06</p>  <p>1 V in 2 GND 3 V out</p>	<p>• UDZS3.9B (VU171600) ZENER DIODE PA:D107</p>  <p>1 ANODE 2 CATHODE</p>	<p>• NJM78M15FA (XJ603A00) REGULATOR +15V PS:IC403</p>  <p>1 OUTPUT 2 COMMON 3 INPUT</p>
<p>• NJM7815FA (XD853A00) REGULATOR +15V PS:IC404</p>  <p>1 INPUT 2 COMMON 3 OUTPUT</p>	<p>• NJM7915FA (XD854A00) REGULATOR -15V PS:IC405</p>  <p>1 COMMON 2 INPUT 3 OUTPUT</p>	<p>• NJM78M12FA (XJ602A00) REGULATOR +12V PS:IC406</p>  <p>1 OUTPUT 2 COMMON 3 INPUT</p>	<p>• NJM78M05FA (XJ604A00) REGULATOR +5V PS:IC407</p>  <p>1 INPUT 2 GND 3 OUTPUT</p>
<p>• RBV-1306 (V2261600) DIODE BRIDGE PS:D401</p> 	<p>• FMU-22R (WD886300) DIODE STACK PS:D408</p> 	<p>• FMU-22S (WD886200) DIODE STACK PS:D410</p> 	<p>• MTZJ33B (VG443700) ZENER DIODE PS:D418</p>  <p>1 ANODE 2 CATHODE</p>
<p>• MTZJ15B (VG440800) ZENER DIODE PS:D428</p>  <p>1 ANODE 2 CATHODE</p>			

BLOCK & LEVEL DIAGRAM (ブロック & レベルダイアグラム)

EMX212S

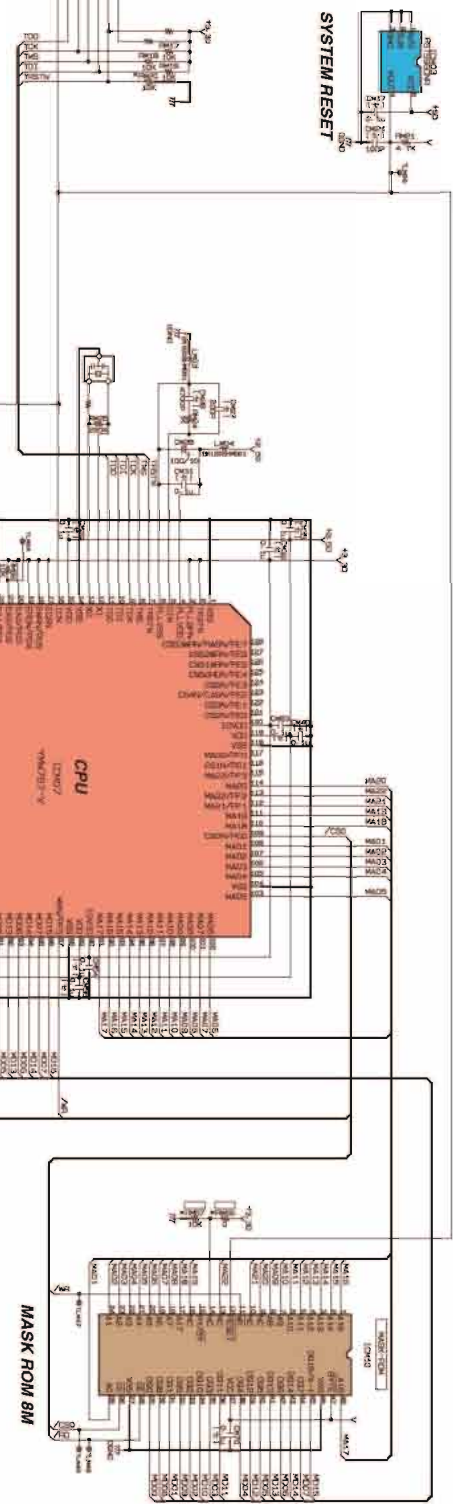
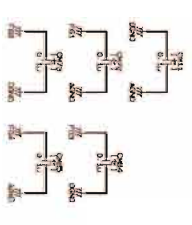


* All the level values in this diagram are measured with the LEVEL control set to maximum.
 * このレベル値は、レベルコントロールが最大値に設定されている状態で測定されています。

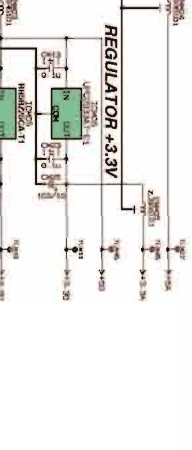
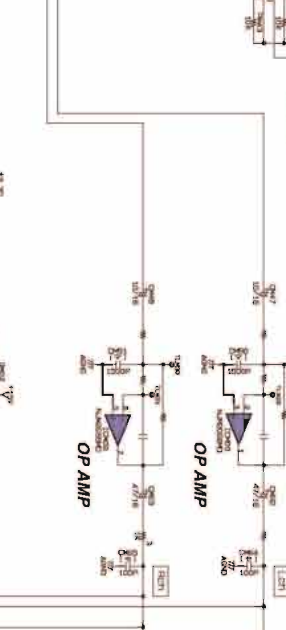
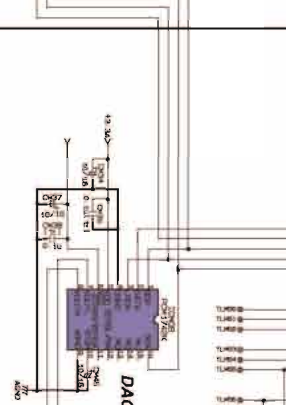
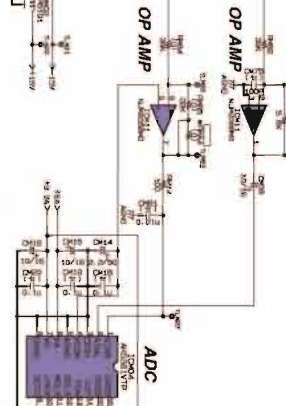
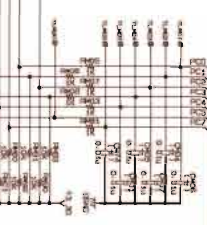
28CA1-2000000039

BLOCK & LEVEL DIAGRAM (ブロック & レベルダイアグラム)

3

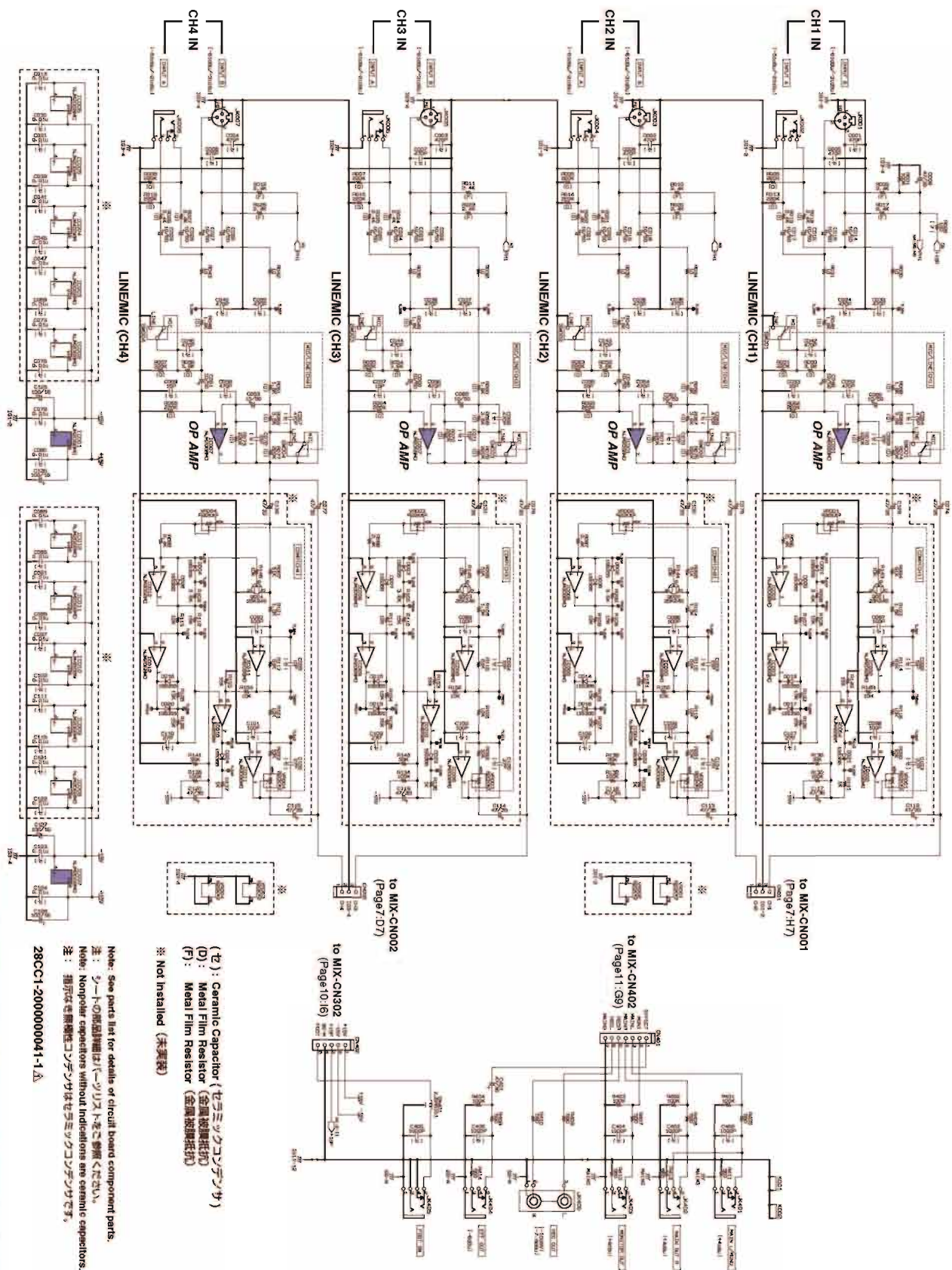


(E) : Ceramic Capacitor (セラミックコンデンサ)
 (C) : Mylar Capacitor (マイラーコンデンサ)
 (D) : Metal Film Resistor (金属膜抵抗器)



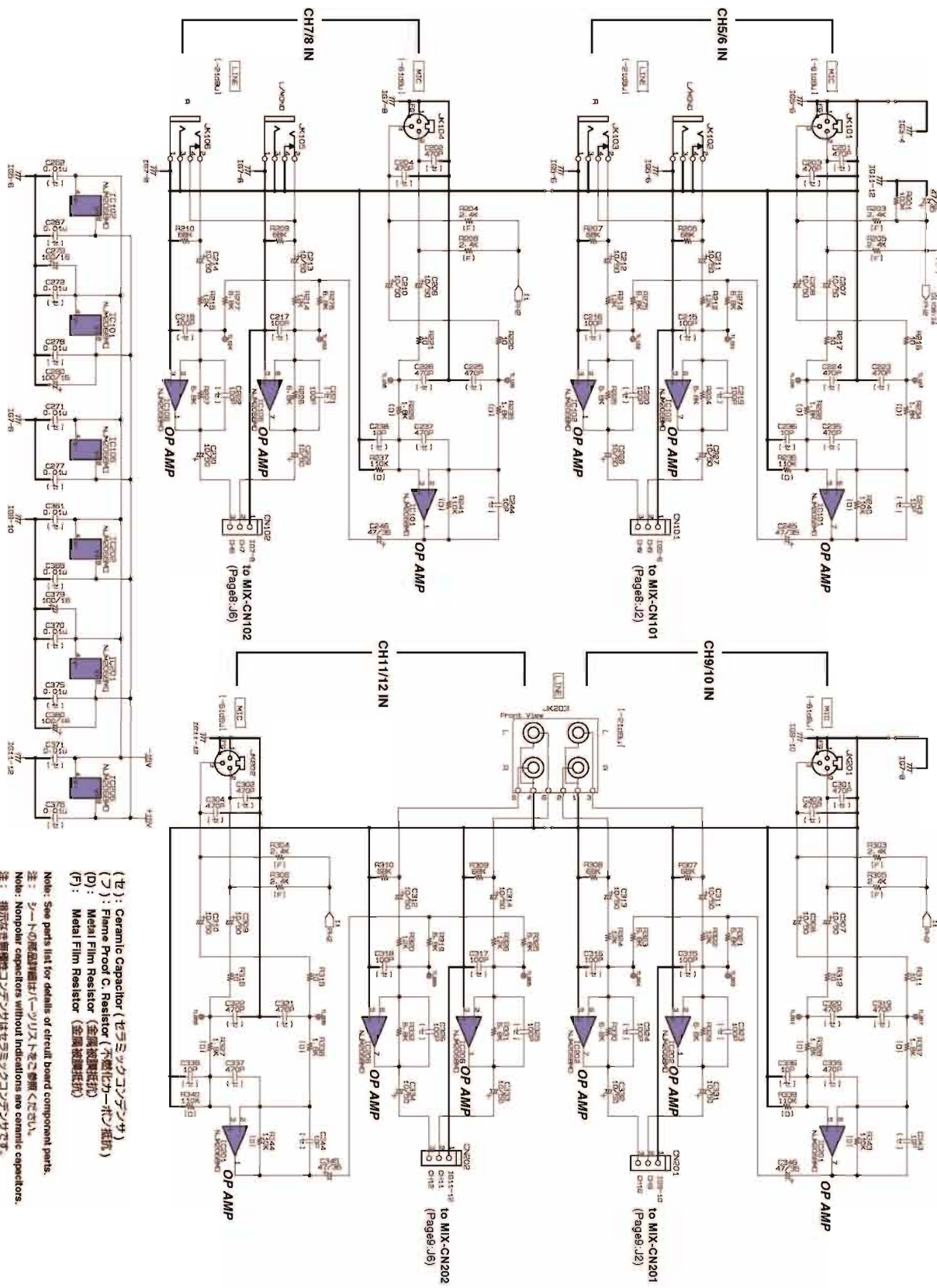
Note: See parts list for details of circuit board component parts.
 注：パーツの配置情報はパーツリストをご参照ください。
 Note: Nonpolar capacitors without indications are ceramic capacitors.
 注：指示なき無極性コンデンサはセラミックコンデンサです。
 28CC1-8831139

■ DSP CIRCUIT DIAGRAM (EMX212S)

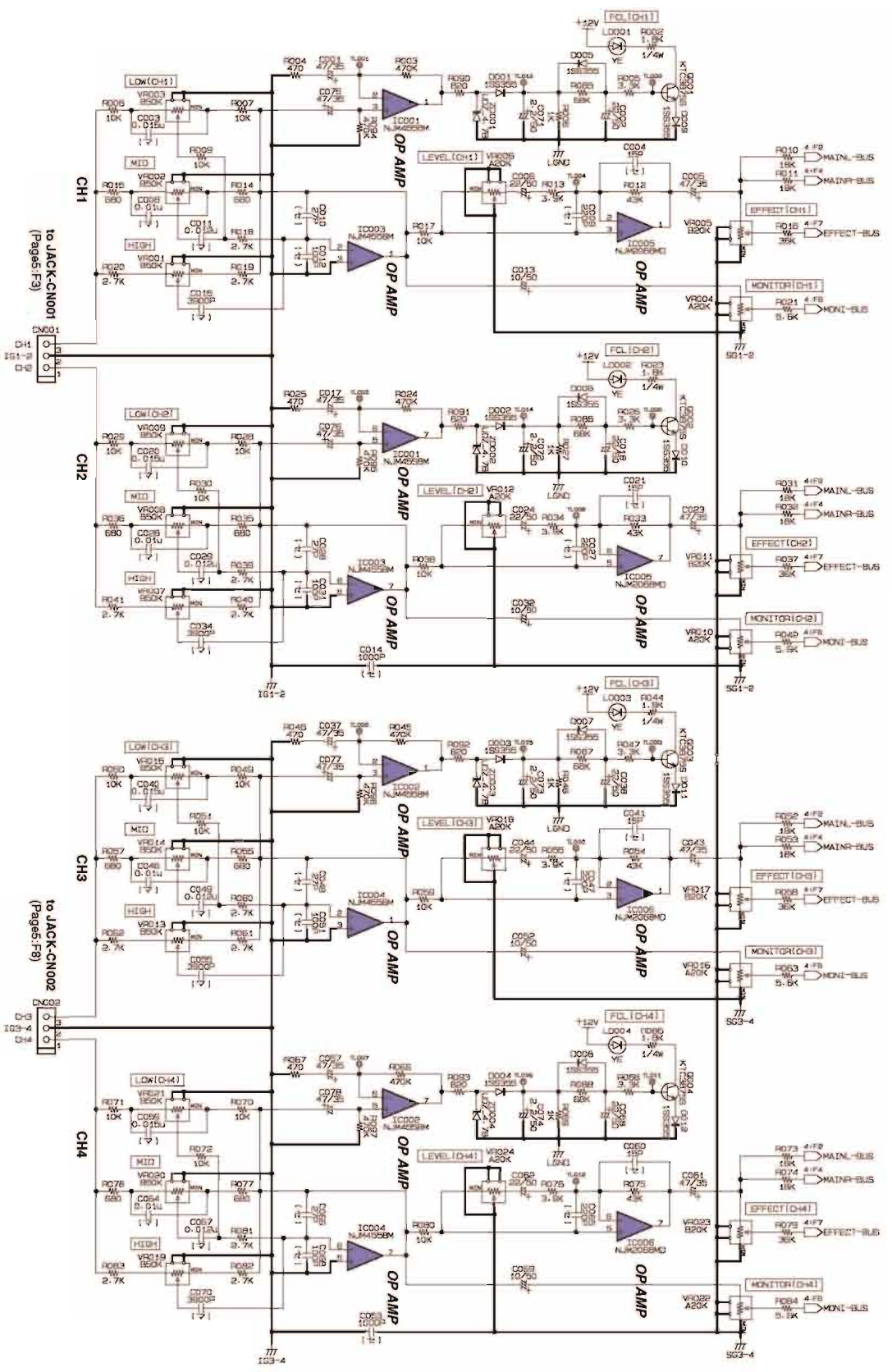


- (C) : Ceramic Capacitor (セラミックコンデンサ)
- (D) : Metal Film Resistor (金属膜抵抗)
- (F) : Metal Film Resistor (金属膜抵抗)
- ※ Not installed (未実装)

Note: See parts list for details of circuit board component parts.
 注: シートの部品表には(パーツ)名をご参照ください。
 Note: Nonpolar capacitors without indications are ceramic capacitors.
 注: 指示なし無極性コンデンサはセラミックコンデンサです。
 28CC1-2000000041-1.A

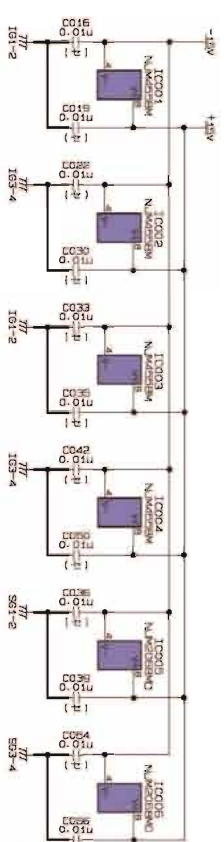


- (ワ) : Ceramic Capacitor (セラミックコンデンサ)
 - (ク) : Flame Proof C. Resistor (不燃化カーボン抵抗)
 - (コ) : Metal Film Resistor (金属膜抵抗)
 - (フ) : Metal Film Resistor (金属膜抵抗)
- Note: See parts list for details of circuit board component parts.
注 : シートの部品詳細はパーツリストをご確認ください。
Note: Nonpolar capacitors without indications are ceramic capacitors.
注 : 極示のない無極性コンデンサはセラミックコンデンサです。



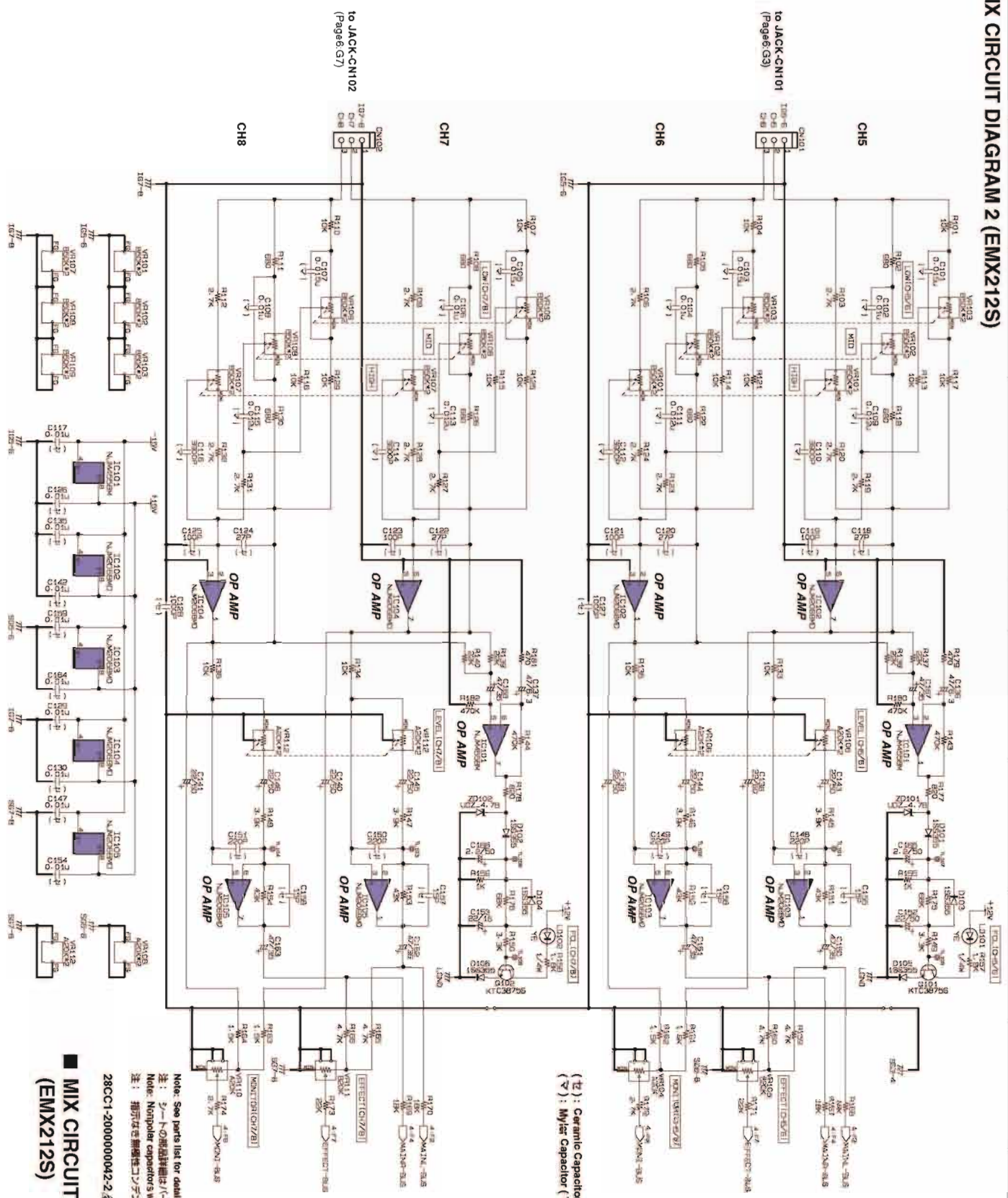
(注) : Ceramic Capacitor (セラミックコンデンサ)
 (△) : Mylar Capacitor (マイラーコンデンサ)

Note: See parts list for details of circuit board component parts.
 Note: △ of the component list is Mylar capacitor.
 Note: Nonpolar capacitors without indications are ceramic capacitors.
 Note: Indicated capacitor values are in microfarads (μF).



28CC1-2000000042-1

MIX CIRCUIT DIAGRAM 2 (EMX212S)



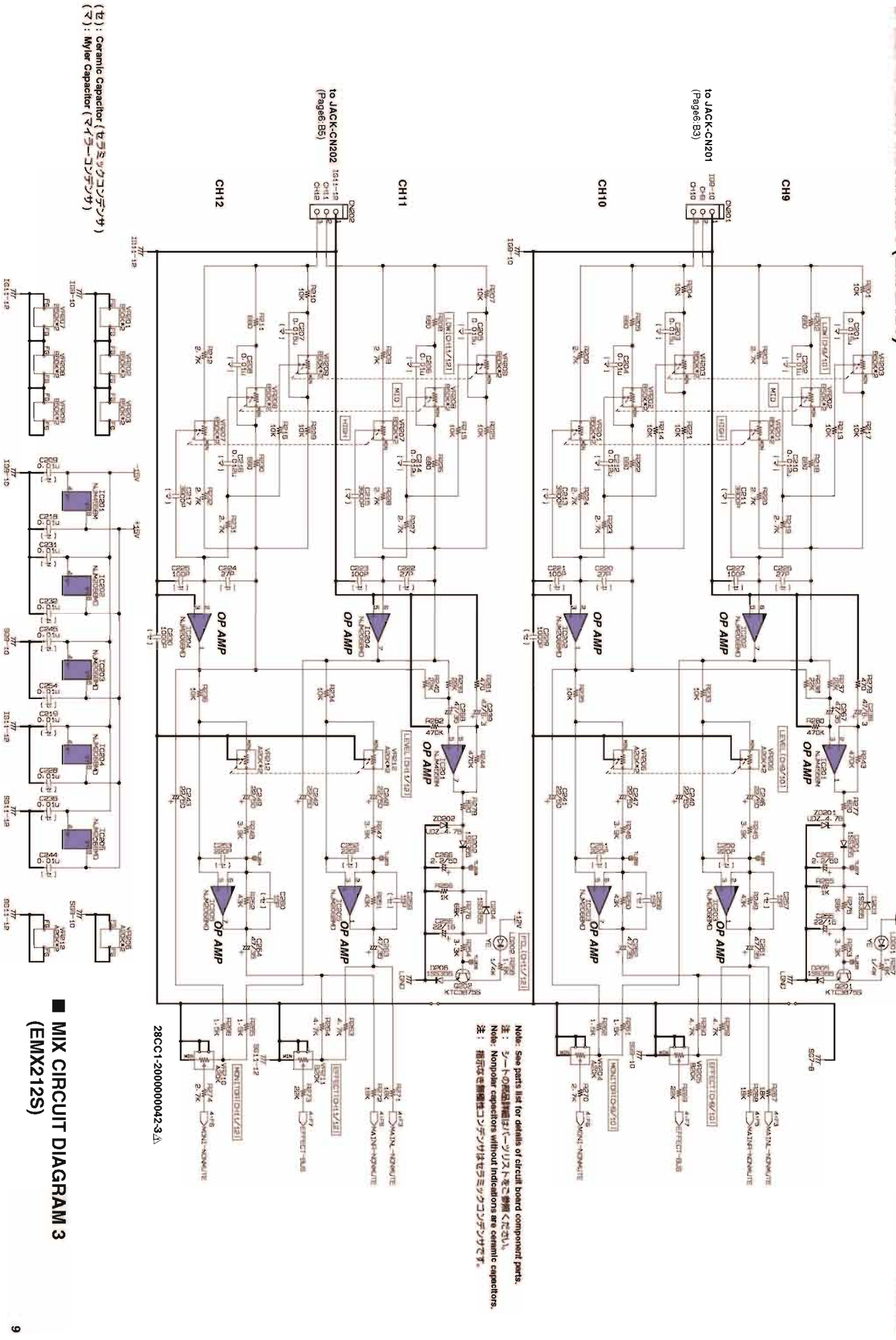
(C): Ceramic Capacitor (セラミックコンデンサ)
 (V): Mylar Capacitor (マイラーコンデンサ)

Note: See parts list for details of circuit board component parts.
 注: シートの部品詳細はパーツリストをご参照ください。
 Note: Nonpolar capacitors without indicators are ceramic capacitors.
 注: 極性を示さぬ無極性コンデンサはセラミックコンデンサです。

MIX CIRCUIT DIAGRAM 2 (EMX212S)

28CC1-200000042-2

MIX CIRCUIT DIAGRAM 3 (EMX212S)

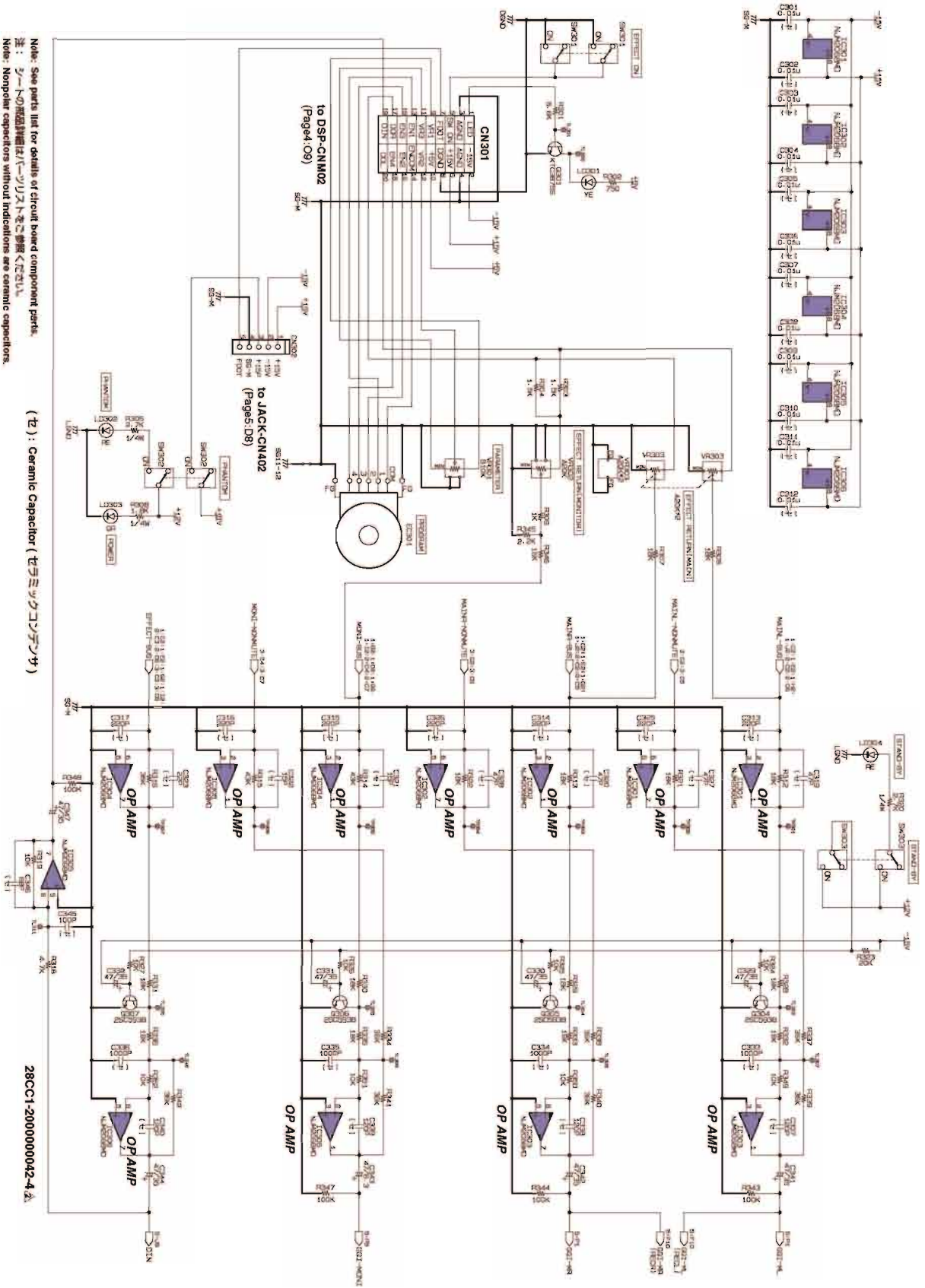


Note: See parts list for details of circuit board component parts.
 注：サーキットボード部品の詳細はパーツリストをご参照ください。
 Note: Nonpolar capacitors without indications are ceramic capacitors.
 注：極性を示さぬコンデンサはセラミックコンデンサです。

28C01-200000042-3

MIX CIRCUIT DIAGRAM 3 (EMX212S)

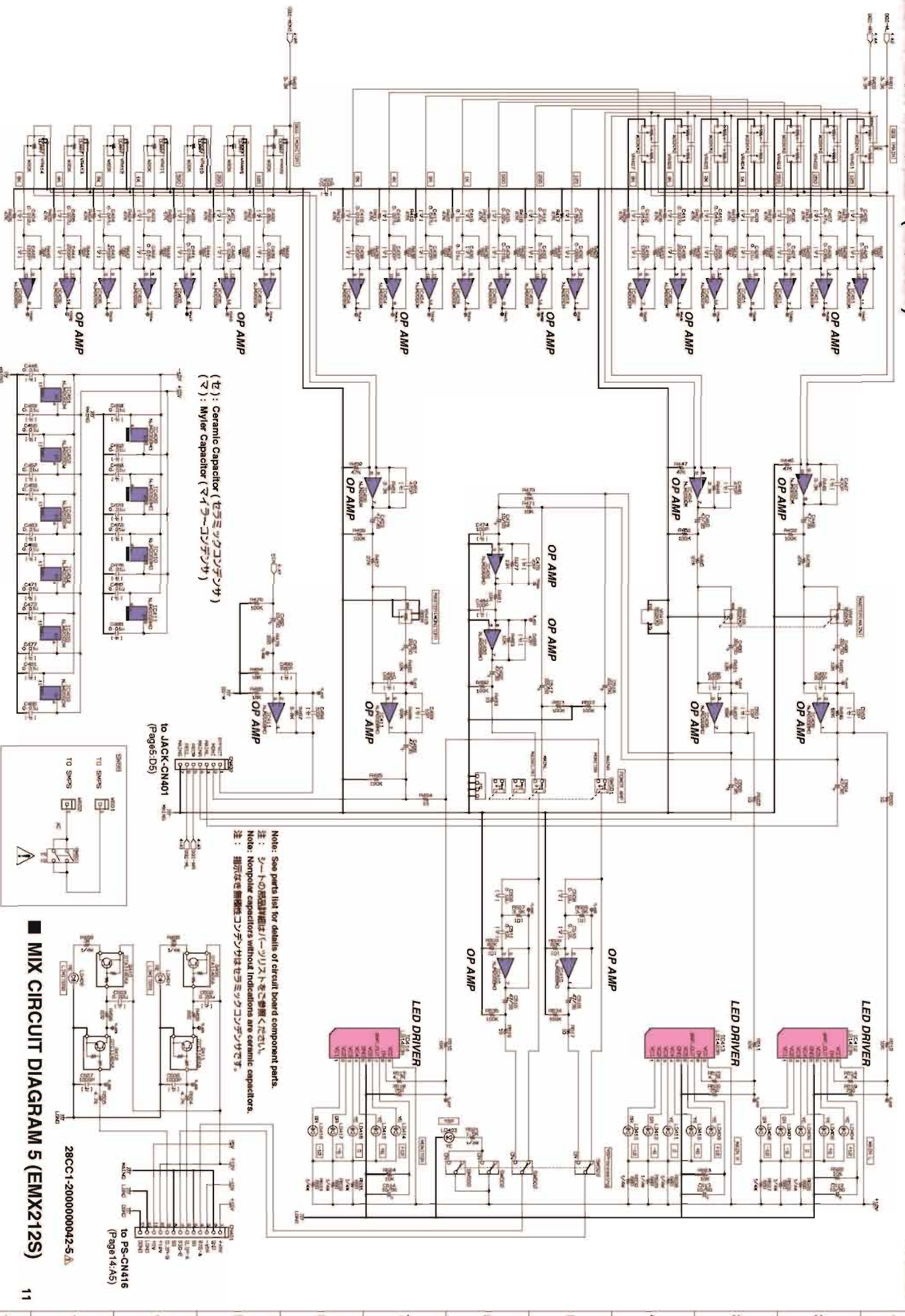
(C) : Ceramic Capacitor (セラミックコンデンサ)
 (M) : Mylar Capacitor (マイラーコンデンサ)



Note: See parts list for details of circuit board component parts.
 注: シートの部品詳細は/パーツリストをご参照ください。
 Note: Nonpolar capacitors without indications are ceramic capacitors.
 注: 極性が不明な無極性コンデンサはセラミックコンデンサです。

(注): Ceramic Capacitor (セラミックコンデンサ)

28CC1-200000042-4-A



(△) : Ceramic Capacitor (セラミックコンデンサ)
 (▽) : Mylar Capacitor (マイラーコンデンサ)

Note: See parts list for details of circuit board component parts.
 注: シート上の部品詳細は(パーツリスト)をご参照ください。
 Note: Nonpolar capacitors without indications are ceramic capacitors.
 注: 指示なしの無極性コンデンサはセラミックコンデンサです。

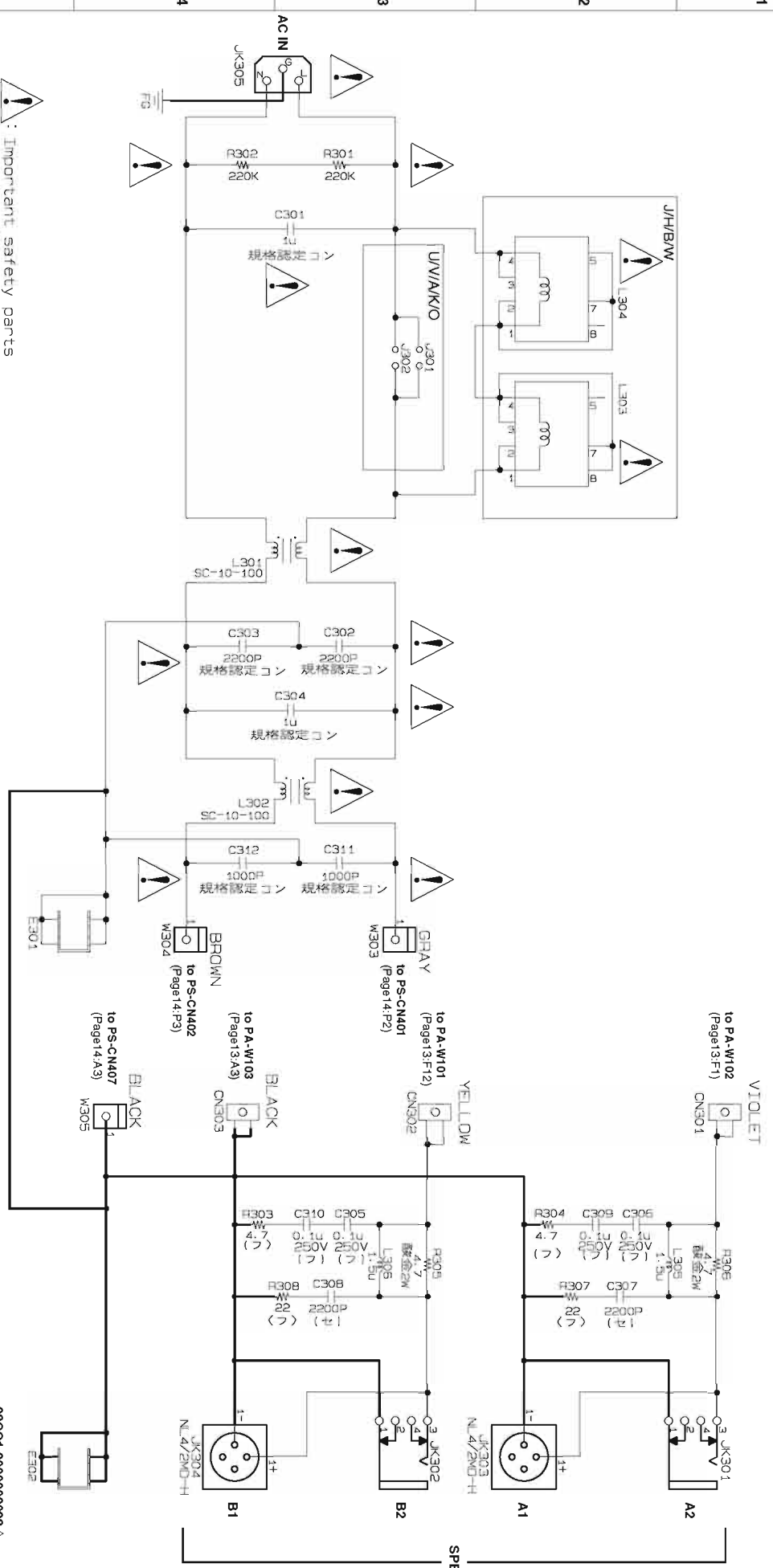
MIX CIRCUIT DIAGRAM 5 (EMX212S)

28CC1-200000042-5-A

PS-CN416
 (Page14.A5)

OUT CIRCUIT DIAGRAM (EMX212S)

EMX212S



28CC1-2000002028

⚠ Important safety parts
重要安全部品

Parts of each model

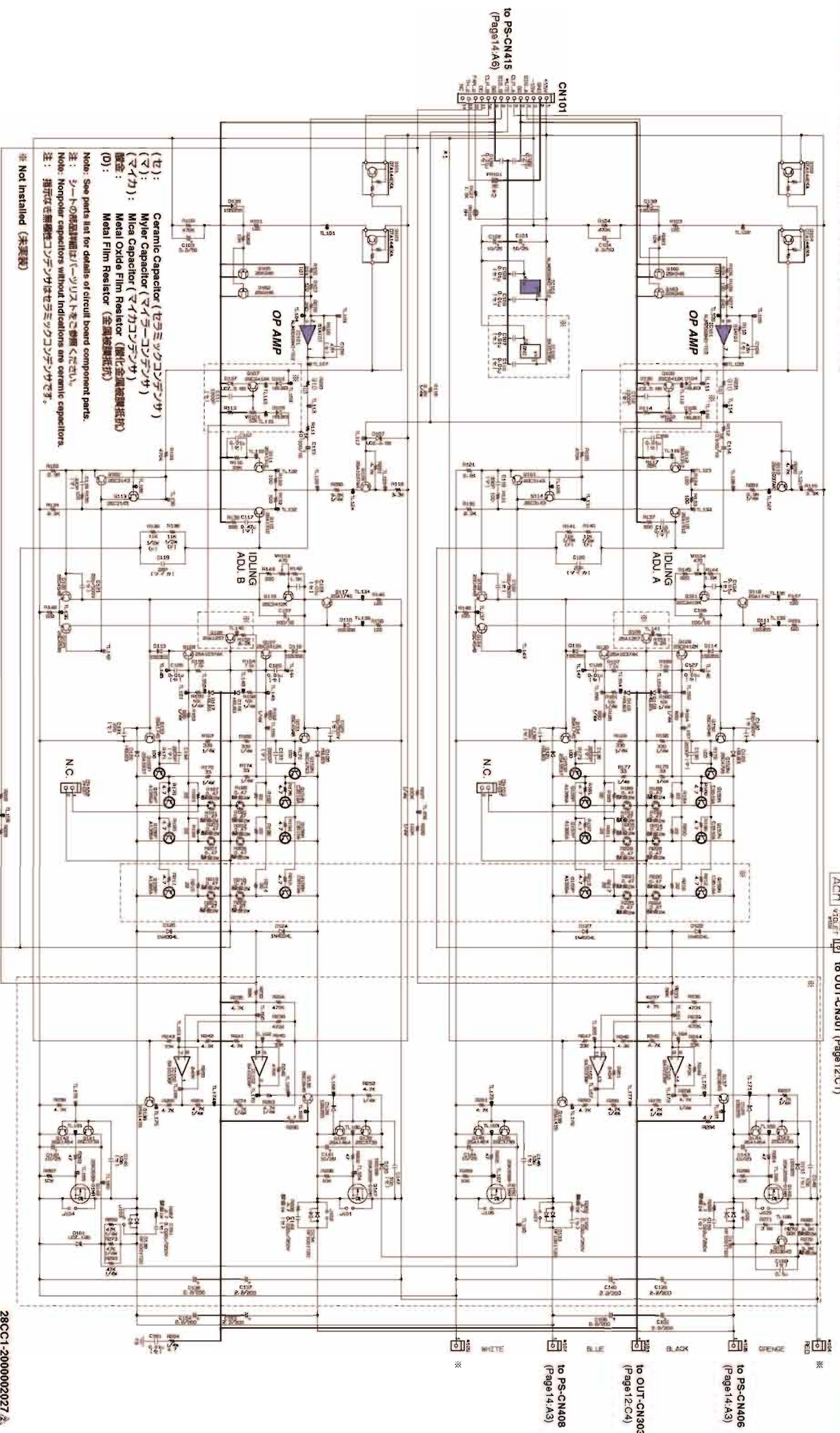
DESTINATION	L303, L304	U301, 302
J	WF514500 or W6090600	X
U/V/A/K/O	X	O
H/B/W	WF514500 or W6090700	X

規格認定コン: Capacitor (規格認定コン)
(セラ): Ceramic Capacitor (セラミックコンデンサ)
酸化: Metal Oxide Film Resistor (酸化金属膜抵抗)
(フ): Flame Proof C. Resistor (不燃化カーボン抵抗)

Note: See parts list for details of circuit board component parts.
注: シートの部品詳細はパーツリストをご参照ください。
Note: Nonpolar capacitors without indications are ceramic capacitors.
注: 指示なき無極性コンデンサはセラミックコンデンサです。

OUT CIRCUIT DIAGRAM (EMX212S)

PA CIRCUIT DIAGRAM (EMX212S)

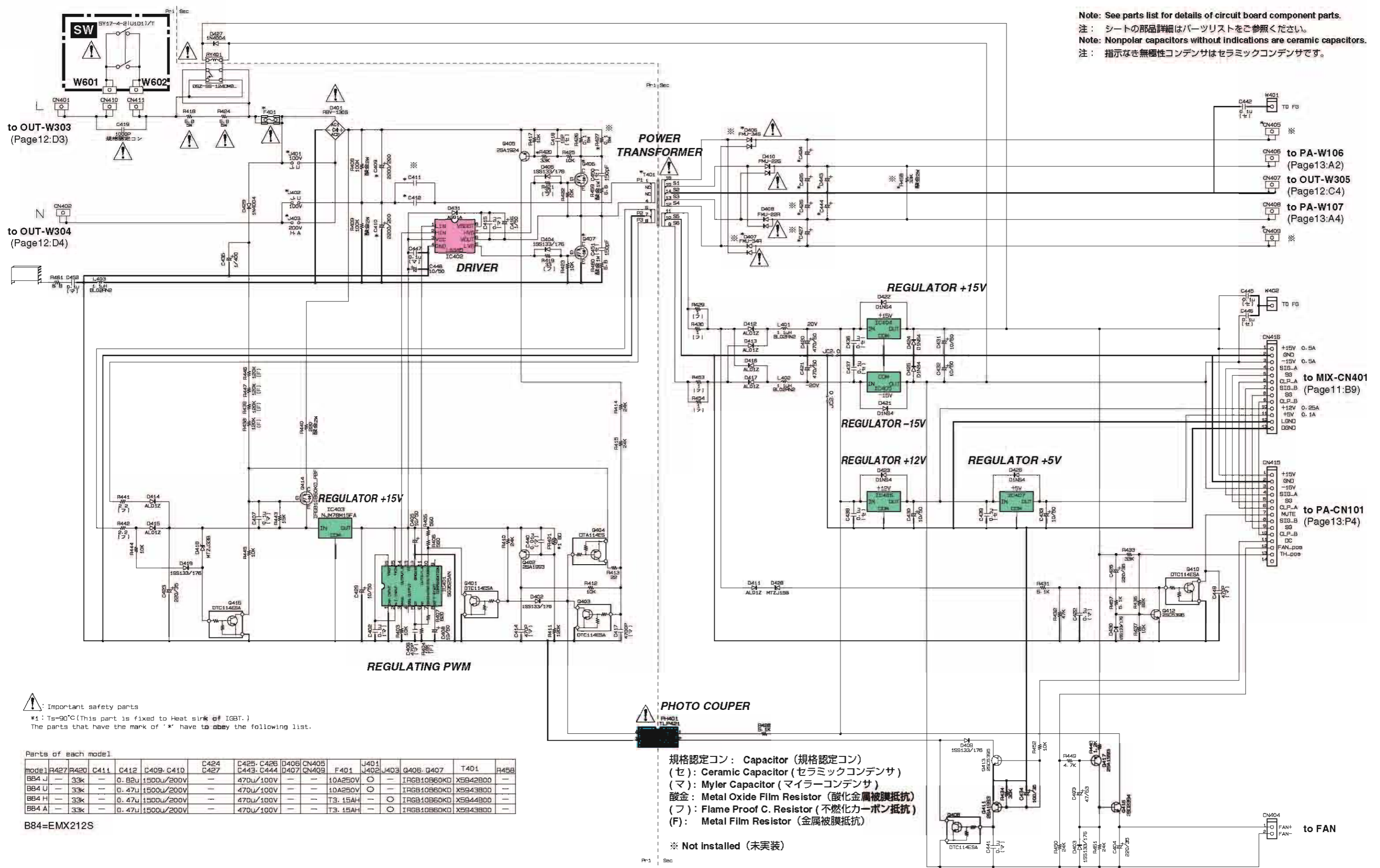


41174-002 (THIS PAGE IS FIXED TO THE BOOK.)
40-100-002 (THIS PAGE IS FIXED TO THE BOOK.)

to OUT-CN302 (Page 12.C3)

PA CIRCUIT DIAGRAM (EMX212S)

Note: See parts list for details of circuit board component parts.
 注: シートの部品詳細はパーツリストをご参照ください。
 Note: Nonpolar capacitors without indications are ceramic capacitors.
 注: 指示なき無極性コンデンサはセラミックコンデンサです。



⚠ Important safety parts
 *1: Ts=90°C (This part is fixed to Heat sink of IGBT.)
 The parts that have the mark of '*' have to obey the following list.

Parts of each model

model	R427	R420	C411	C412	C409, C410	C424, C427	C425, C426, C443, C444	D406, D407	CN405, CN409	F401	J401, J402	J403	Q406, Q407	T401	R45B
BB4 J	—	33k	—	0.82u	1500u/200V	—	470u/100V	—	—	10A250V	○	—	IRGB10B60KD	X5942B00	—
BB4 U	—	33k	—	0.47u	1500u/200V	—	470u/100V	—	—	10A250V	○	—	IRGB10B60KD	X5943B00	—
BB4 H	—	33k	—	0.47u	1500u/200V	—	470u/100V	—	—	T3, 15AH	—	○	IRGB10B60KD	X5944B00	—
BB4 A	—	33k	—	0.47u	1500u/200V	—	470u/100V	—	—	T3, 15AH	—	○	IRGB10B60KD	X5943B00	—

B84=EMX212S

規格認定コン: Capacitor (規格認定コン)
 (セ): Ceramic Capacitor (セラミックコンデンサ)
 (マ): Mylar Capacitor (マイラーコンデンサ)
 酸金: Metal Oxide Film Resistor (酸化金属膜抵抗)
 (フ): Flame Proof C. Resistor (不燃化カーボン抵抗)
 (F): Metal Film Resistor (金属膜抵抗)

※ Not installed (未実装)